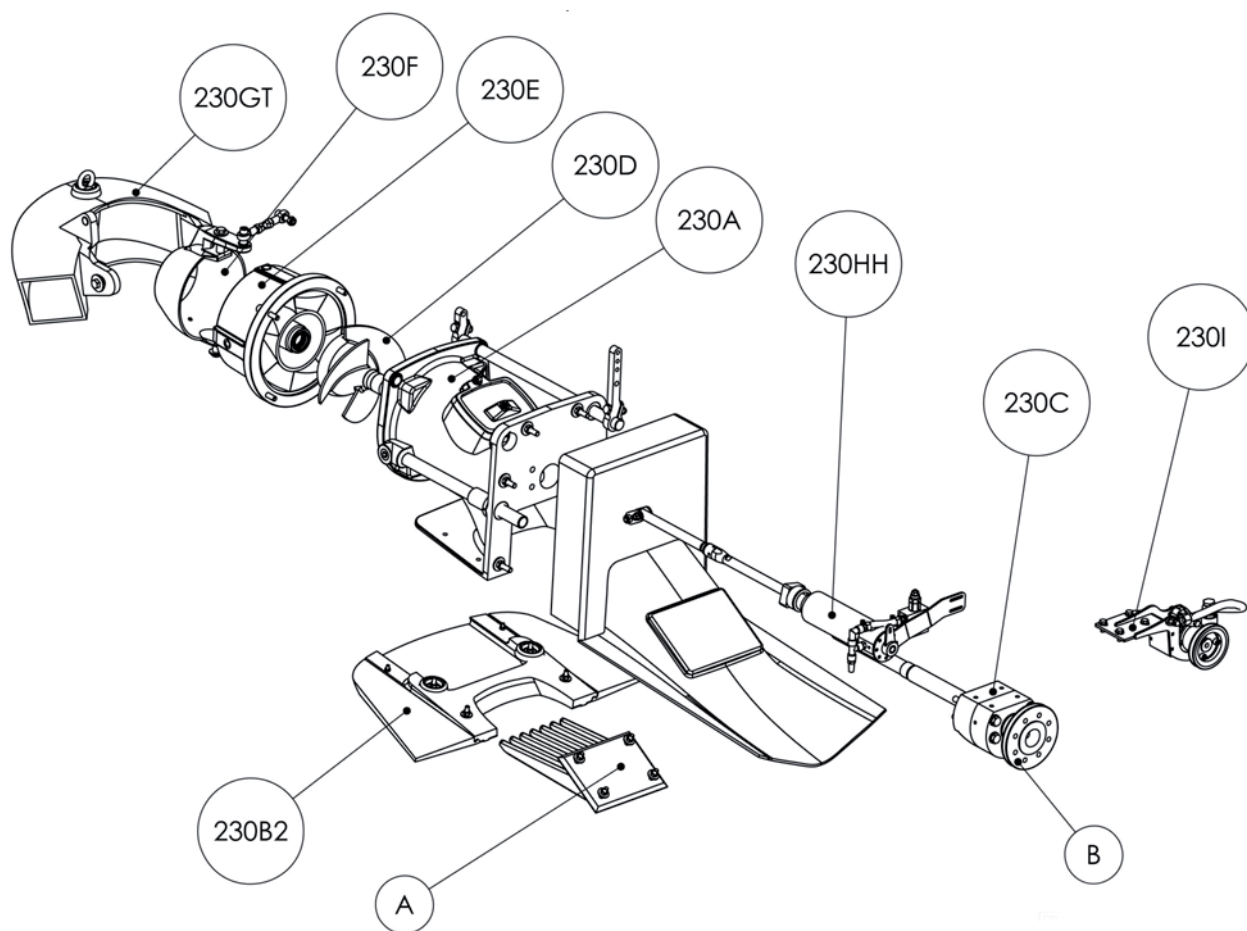


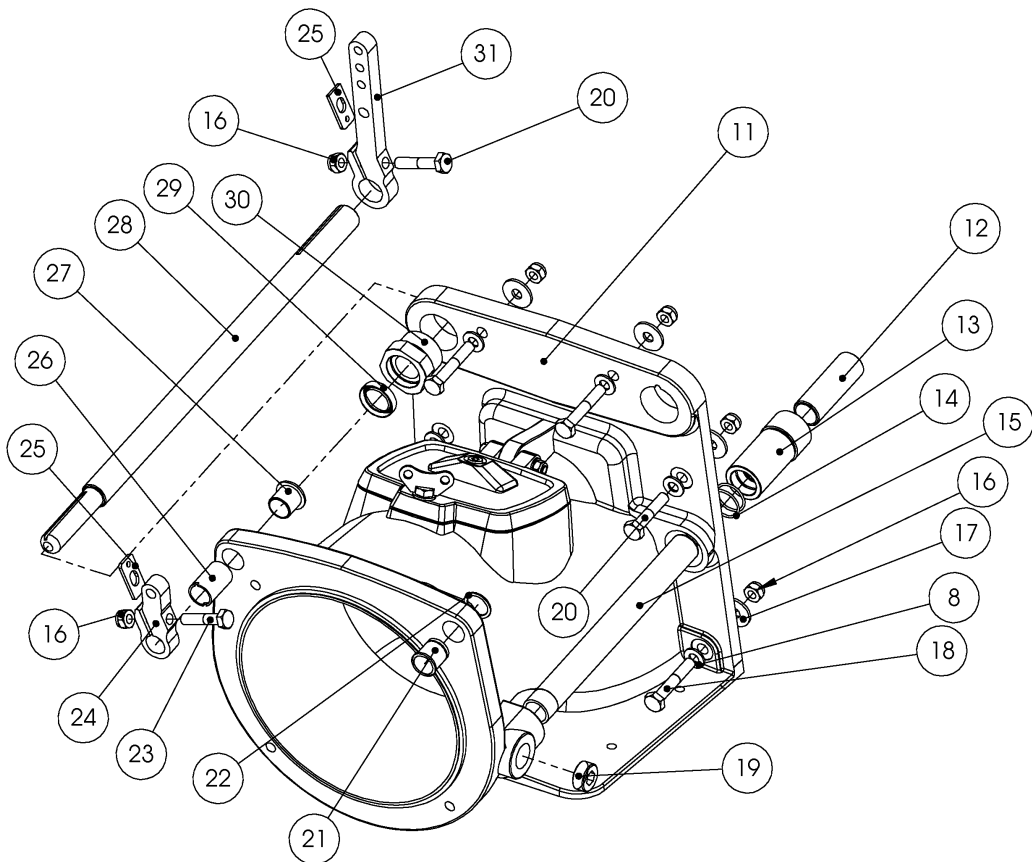
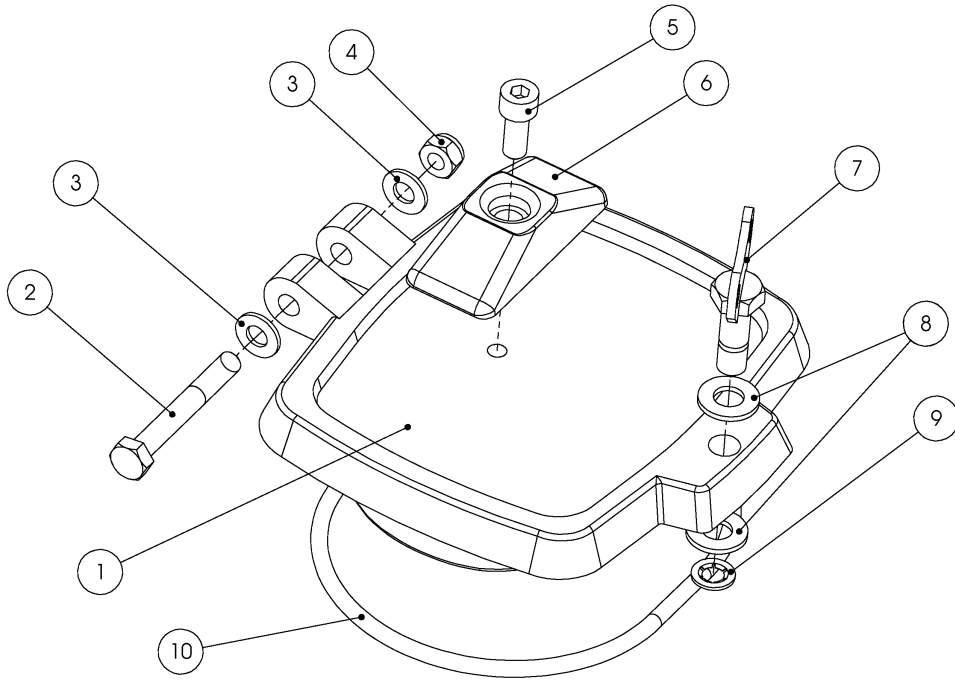
Main exploded view

Code	Name
230A	Frame 230
230B2	Cavitation plate (K2)
230C	Bearing and impeller shaft
230D	Impeller
230E	Stator
230F	Steering nozzle
230GT	Tube type reverse bucket
230HH	Hydraulic cylinder
230I	Hydraulic oil pump
A	Intake screen
B	Flange



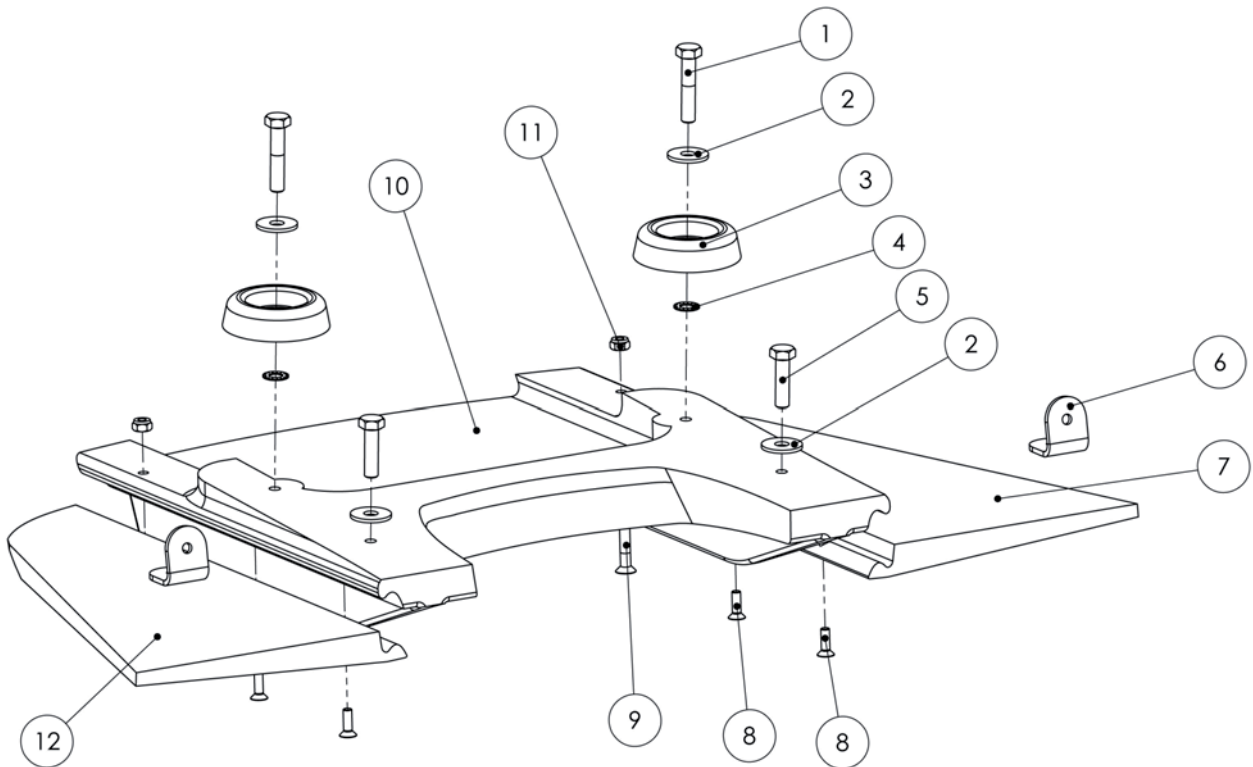
230A04 Frame

Pos.	Code	Name	Qty
1	10051	Inspection hatch	1
2	R04080602-1	Hexagonal head screw M8	1
3	R10080002	Washer M8	2
4	R31080002	Nyloc M8	1
5	R01080202	Hexagonal socket head screw M8	1
6	10053	Zinc anode	1
7	10089	Wing screw M10	1
8	R10100002	Washer M10	12
9	L0403	Locking ring	1
10	T0000120	Seal	1
11	10010	Frame 230	1
12	10095	Raw water coupling	1
13	10033	Raw water lead-in	1
14	T0000027	O-ring	2
15	10048	Raw water pipe	1
16	R31100002	Nyloc M10	8
17	R11100002	Washer M10	6
18	R04100602	Hexagonal head screw M10	4
19	R50340002	Plug	1
20	R04100502	Hexagonal head screw M10	4
21	10090	Slide sleeve	1
22	L0404	Locking ring	1
23	R04100452	Hexagonal head screw M10	1
24	10021	Steering lever 2	1
25	10022	wedge plate	2
26	10034	Sleeve	1
27	H0403	Plastic bearing	1
28	10014	Steering shaft 230	1
29	T9900020	Shaft seal	1
30	10023	Lead-in	1
31	10019	Steering lever 1	1



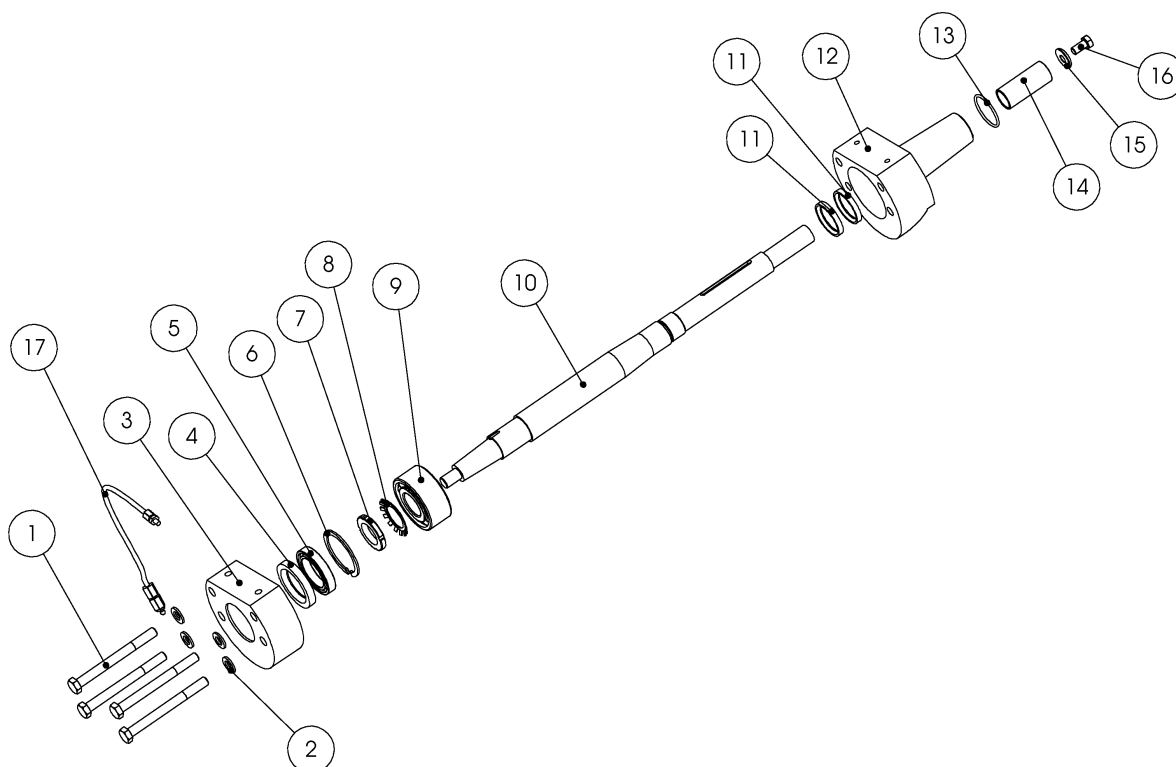
230B2 Cavitation plate

Pos.	Code	Name	Qty
1	R04080402	Hexaconal head screw M8	2
2	R11080002	Washer M8	4
3	10054	Zinc anode 60	2
4	R12080002	Washer M8	2
5	R04080302	Hexaconal head screw M8	2
6	10128	Cavitation plate support	2
7	10106	Cavitation plate's left wing	1
8	R02050162	Hexagonal socket head screw M5	4
9	R02060302	Hexagonal socket head screw M6	2
10	10103	Cavitation plate K2	1
11	R31060002	Nyloc M6	2
12	10104	Cavitation plate's right wing	1



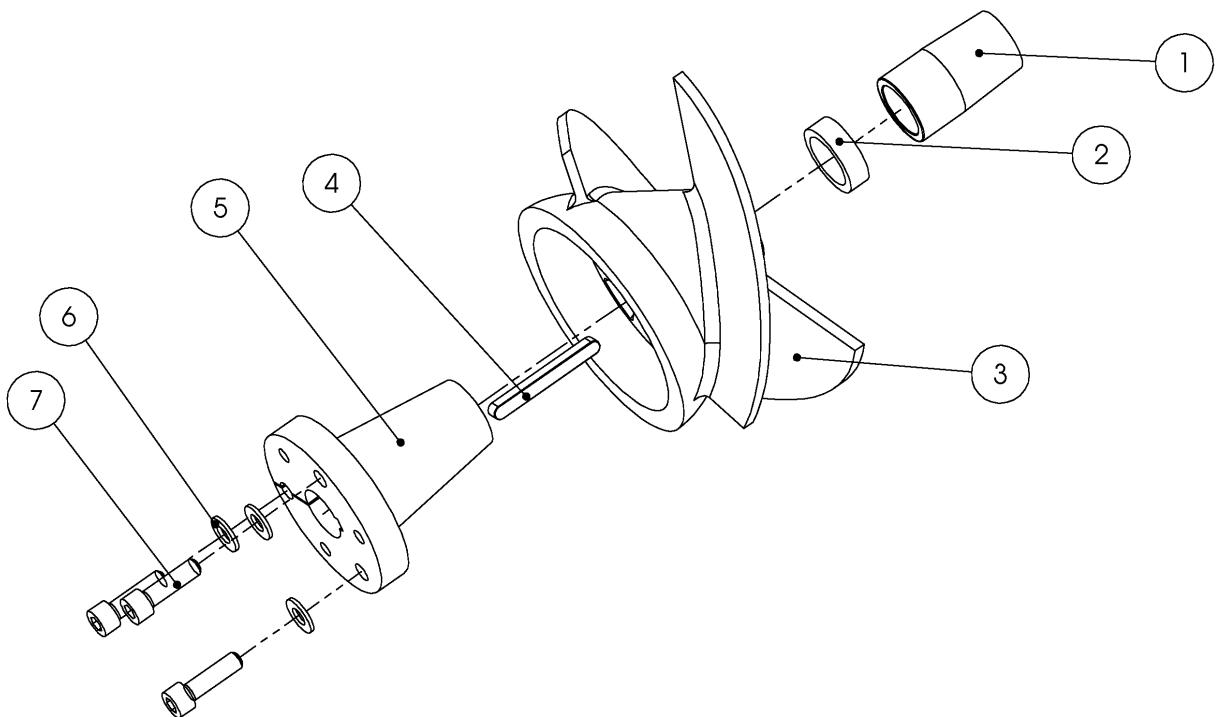
230C-D40 Impeller shaft

Pos.	Code	Name	Qty
1	R04121303	Hexagonal head screw M12	4
2	R10120002	Washer M12	4
3	10117	Support bearing housing 230	1
4	T456810A	Shaft seal	1
5	L0101	Bearing	1
6	L0450	Locking ring	1
7	L0207	Shaft nut	1
8	L0307	Safety washer for nut	1
9	L0122	Bearing	1
10	10119	Impeller shaft	1
11	T99000041	Shaft seal	2
12	10118	Bearing housing 230	1
13	T0000040	O-ring	1
14	10052	Shaft sleeve	1
15	10056	Locking plate	1
16	R04100202	Hexagonal head screw M10	1
17	10018	Grease tube	1



230D Impeller

Pos.	Code	Name	Qty
1	*	Adjuster sleeve	*
2	*	Extension for adjuster sleeve	*
3	*	Impeller 230	*
4	K0202	Key	1
5	10102	Impeller mounting cone 230	1
6	R10100002	Washer M10	3
7	R01100352	Hexagonal socket head screw M10	3



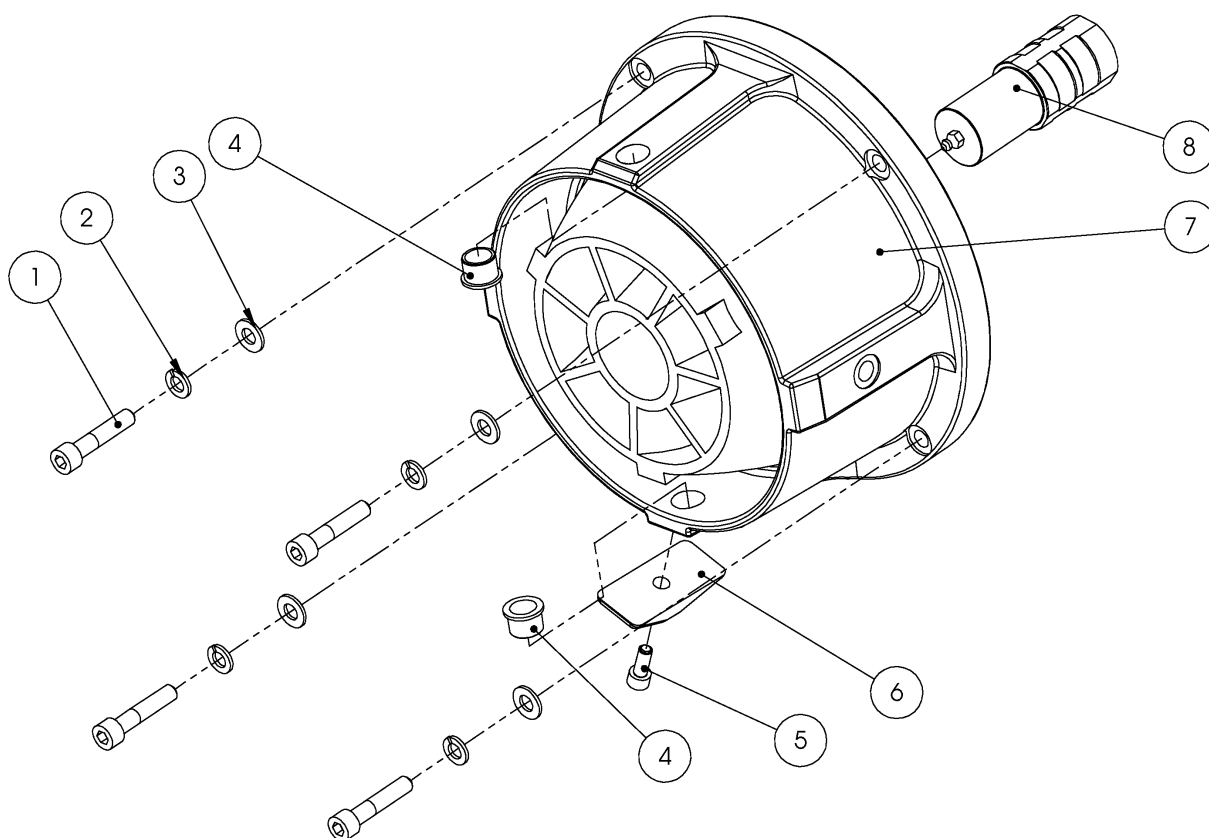
* Depends on used engine's horsepower and torque curve. Pos. 1. ja 2. depends on used impeller.

List of the most common impellers

Tyyppi	Koodi	Example of compatible engine (power/max rpm)	Adjuster sleeves(code) to be used
9" 0	5204-0	Steyr 144 (144/3800)	10057
9" 00A	5204-00A	Steyr 164 (164/4000)	10057
9" 00B	5204-00B	Steyr 236 (212/4300)	10058
9" 00C	5204-00C	Steyr 246 (240/4100)	10058+10050
10" 000	5204-000	Volvo TAMD 42 (230/3800)	10058+10050

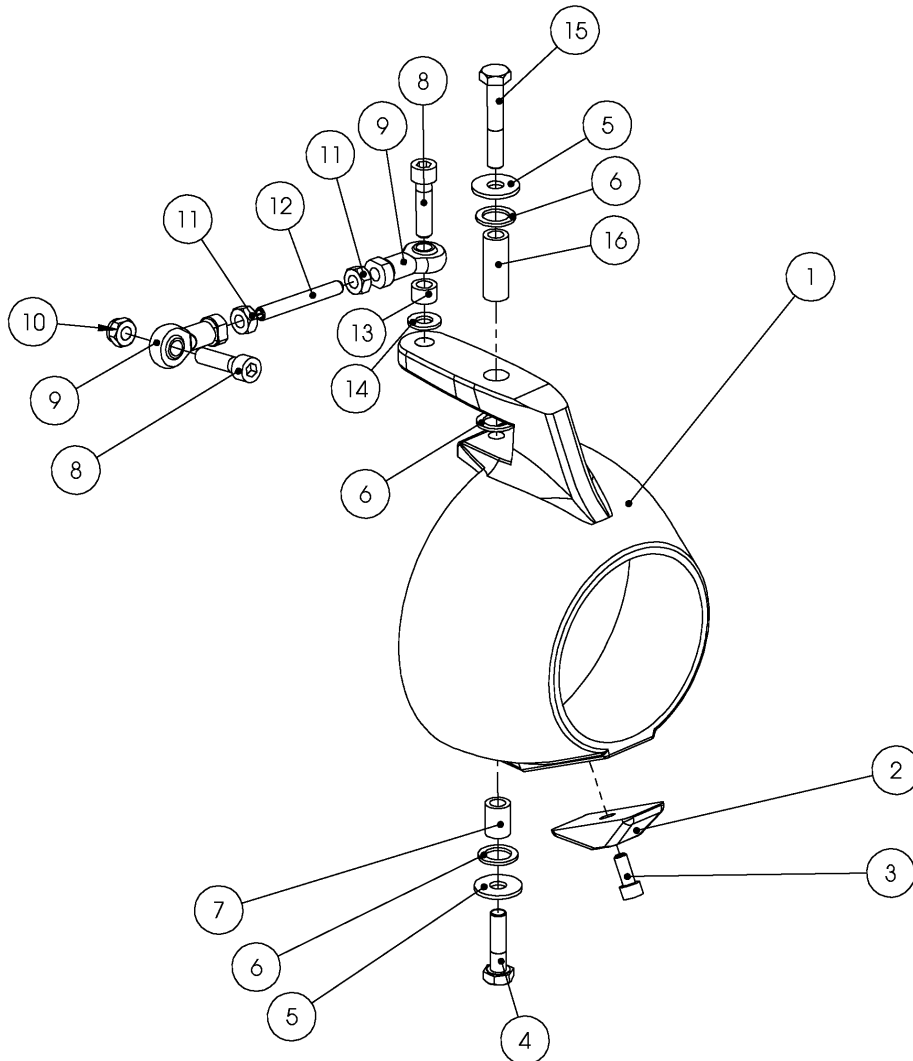
230E Stator

Pos.	Code	Name	Qty
1	R01100502	Hexagonal socket head screw M10	4
2	R13100002	Washer M10	4
3	R10100002	Washer M10	4
4	H0401	Plastic bearing	2
5	R01080202	Hexagonal socket head screw M8	1
6	10053	Zinc anode	1
7	10000	Stator 230	1
8	10160	End bearing 230	1



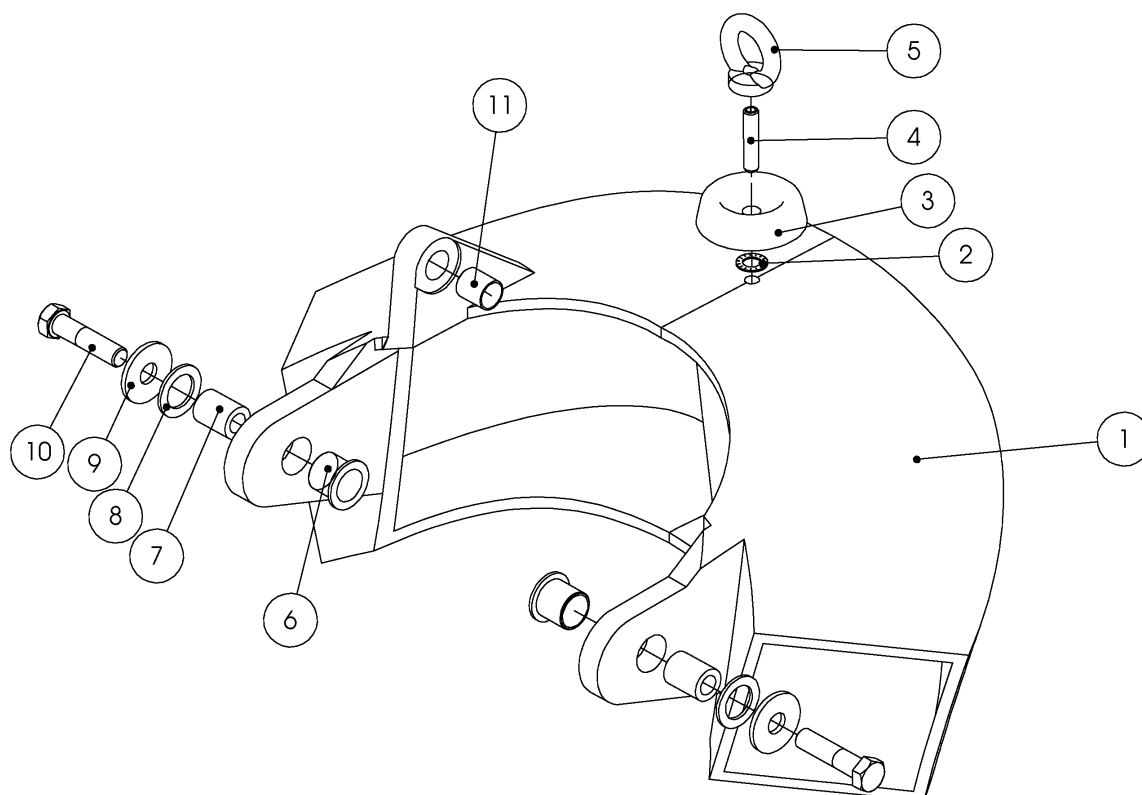
230F Steering nozzle

Pos.	Code	Name	Qty
1	10049	Steering nozzle	1
2	10053	Zinc anode	1
3	R01080202	Hexagonal socket head screw M8	1
4	R04100402	Hexagonal head screw M10	1
5	R11100002	Washer M10	2
6	H0301	Plastic washer	3
7	10026	A4 sleeve	1
8	R01100402	Hexagonal socket head screw M10	2
9	RF10SEJR316	Eye joint	2
10	R31100002	Nyloc M10 A4	1
11	R30100002	Nut M10 A4	2
12	R05100702	Screw M10	1
13	10025	A4 sleeve	1
14	R10100002	Washer M10	1
15	R04100602	Hexagonal head screw M10	1
16	10030	A4 sleeve	1



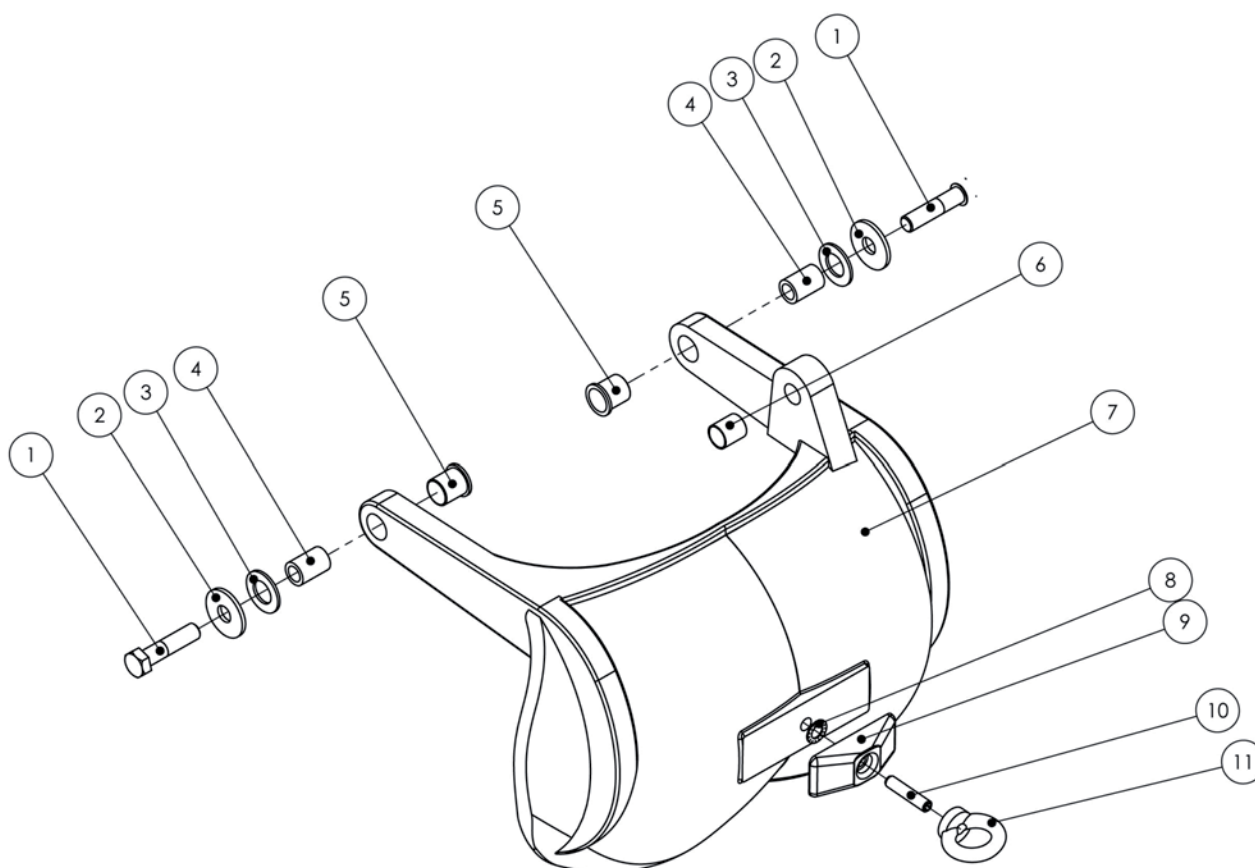
230GT Tube type reversing deflector

Pos.	Code	Name	Qty
1	10096	Tube reversing deflector 230	1
2	R12100002	Washer M10	1
3	10054	Zinc anode	1
4	R05100402	Screw M10	1
5	R60100000	Lifting eye M10	1
6	H0403	Plastic bearing	2
7	10116	A4 sleeve	2
8	H0305	Plastic washer	2
9	R11120002	Washer M12	2
10	R04120502	Hexagonal head screw M12	2
11	H0102	Plastic bearing	1



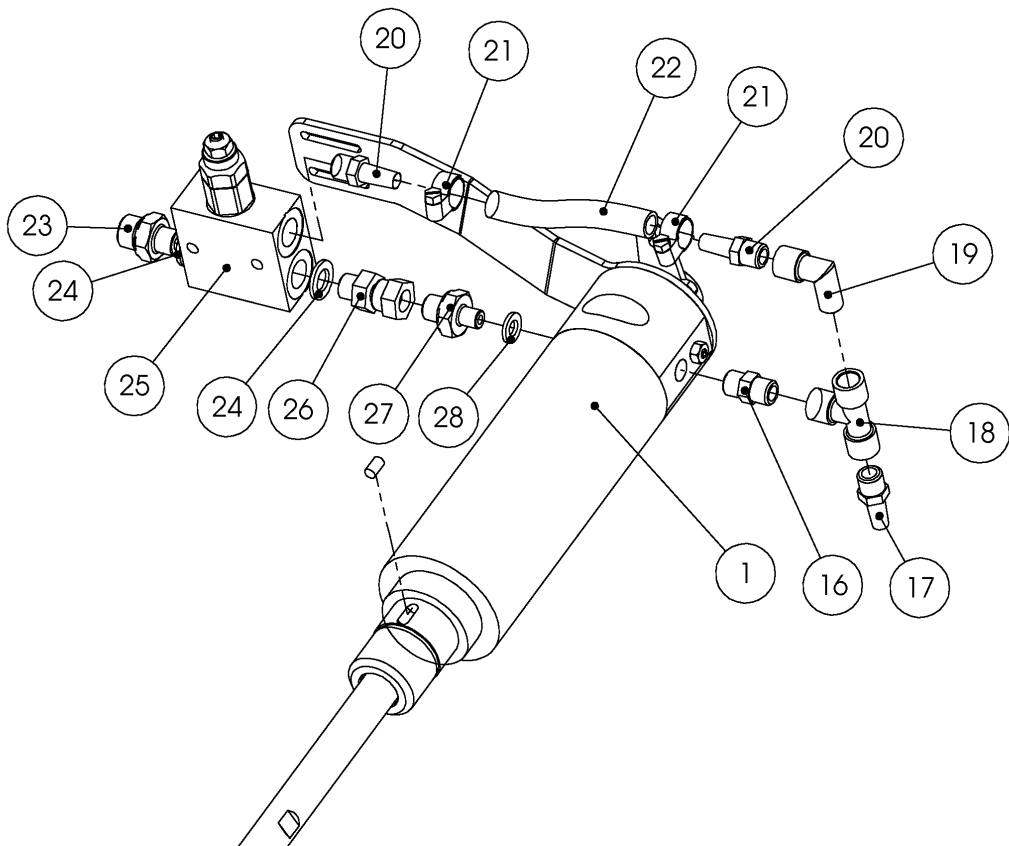
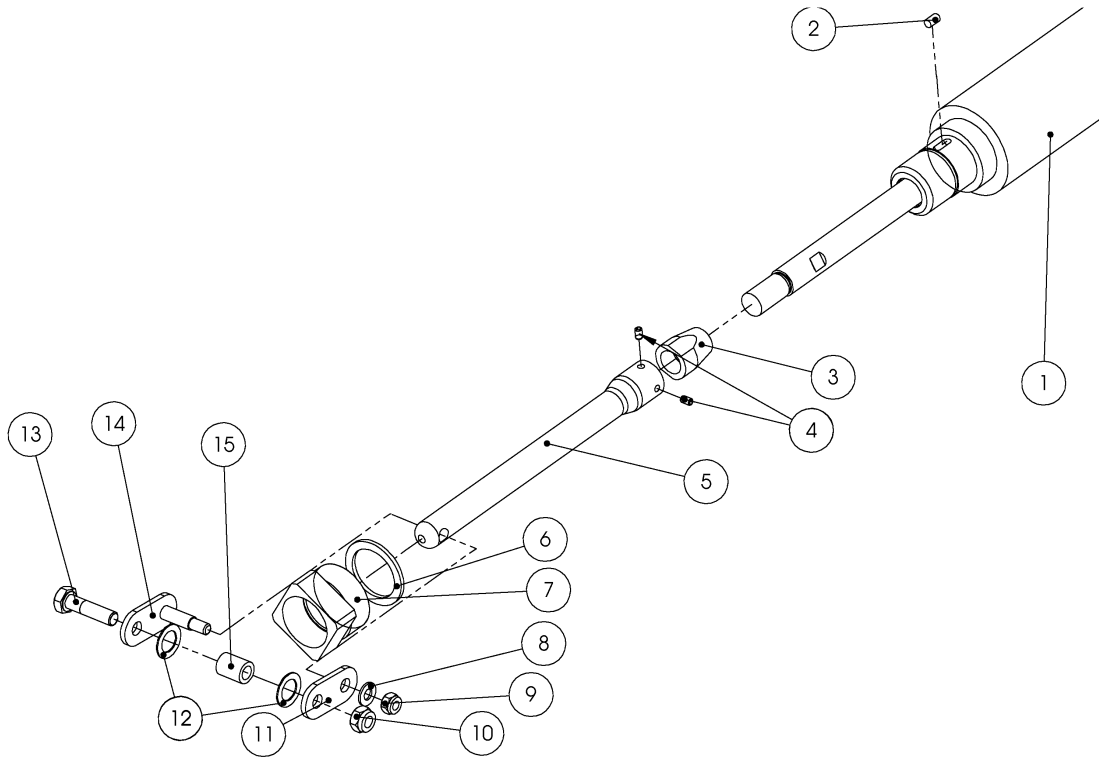
230GK Round reversing deflector

Pos.	Code	Name	Qty
1	R04120502	Hexagonal head screw M12	2
2	R11120002	Washer M12	2
3	H0306	Plastic washer	2
4	10078	A4 sleeve	2
5	H0402	Plastic bearing	2
6	H0102	Plastic bearing	1
7	10189	Round reversing deflector	1
8	R12100002	Washer M10	1
9	10053	Zinc anode	1
10	R05100402	Screw M10	1
11	R60100000	Lifting eye	1



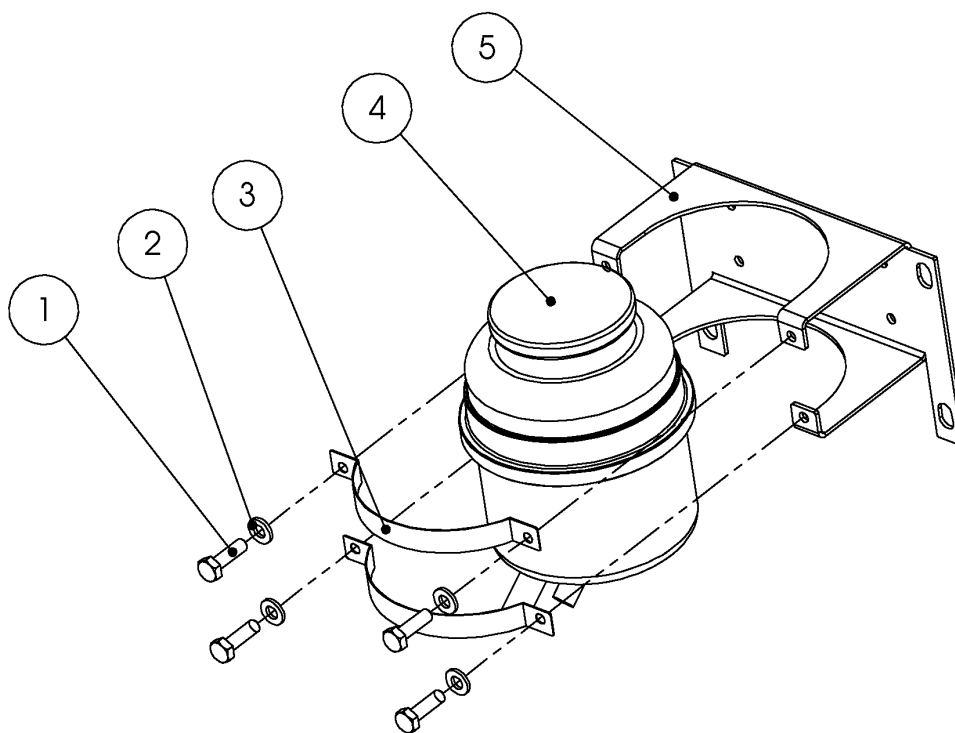
230HH Hydraulic cylinder

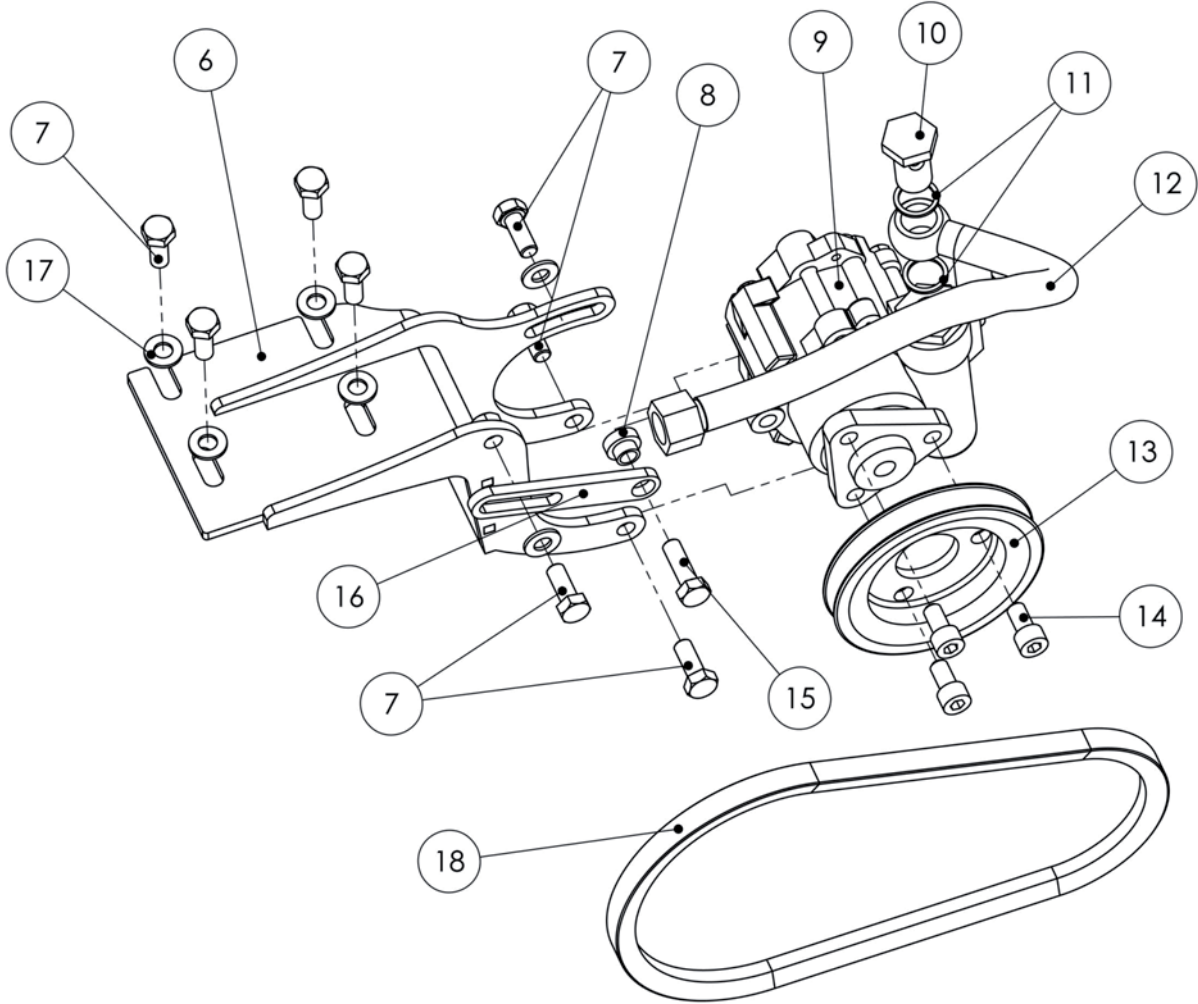
Pos.	Code	Name	Qty
1	10127	Cylinder	1
2	10092	Key	1
3	10041	Locking nut	1
4	R05060082	Screw M6	2
5	10038	Piston rod 2	1
6	H0304	Plastic washer	1
7	10091	Nut	1
8	R10080002	Washer M8	1
9	R31080002	Nyloc M8	1
10	R31100002	Nyloc M10	1
11	10098	Side plate	1
12	H0303	Plastic washer	2
13	R04100402	Hexagonal head screw M10	1
14	10100	Side plate with hinge pin	1
15	10026	A4 sleeve	1
16	P0335	Coupling	1
17	P0307	Hose coupling 12mm	1
18	P0334	T-coupling	1
19	P0302	Angle coupling	1
20	P0308	Hose cuopling 10mm	2
21	P0702	Hose clamp	2
22	P0339	Hose	1
23	P0337	Reduction coupling	1
24	P0332	Seal	2
25	P0330	Pressure restriction valve	1
26	P0331	Coupling	1
27	P0338	Reduction coupling	1
28	5742	Seal	1



230I Hydraulic pump

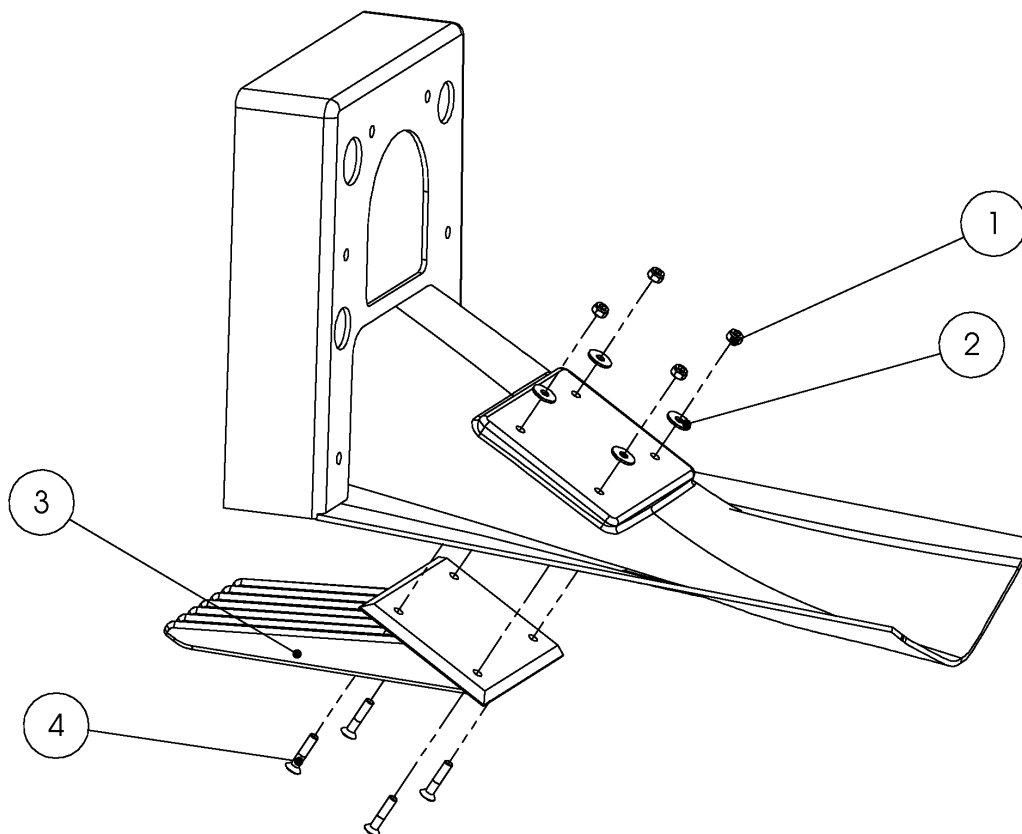
Pos.	Code	Name	Qty
1	R04060202	Hexagonal head screw M6	4
2	R10060002	Washer M6 A4	4
3	10070	Tightening clamp for reservoir	2
4	5716	Reservoir	1
5	10059	Reservoir rack	1
6	10138	Pump rack	1
7	R04080202	Hexagonal head screw M8	8
8	10137	Spacer	1
9	5715	Pump	1
10	P0340	Screw DN10	1
11	P0341	Copper seal	2
12	P0104	Pressure hose	1
13	10093	Belt pulley	1
14	R01080162	Hexagonal socket head screw M8	3
15	R04080252	Hexagonal head screw M8	1
16	10136	Tightening plate	1
17	R10080002	Washer M8	6
18	5717	Drive belt	1





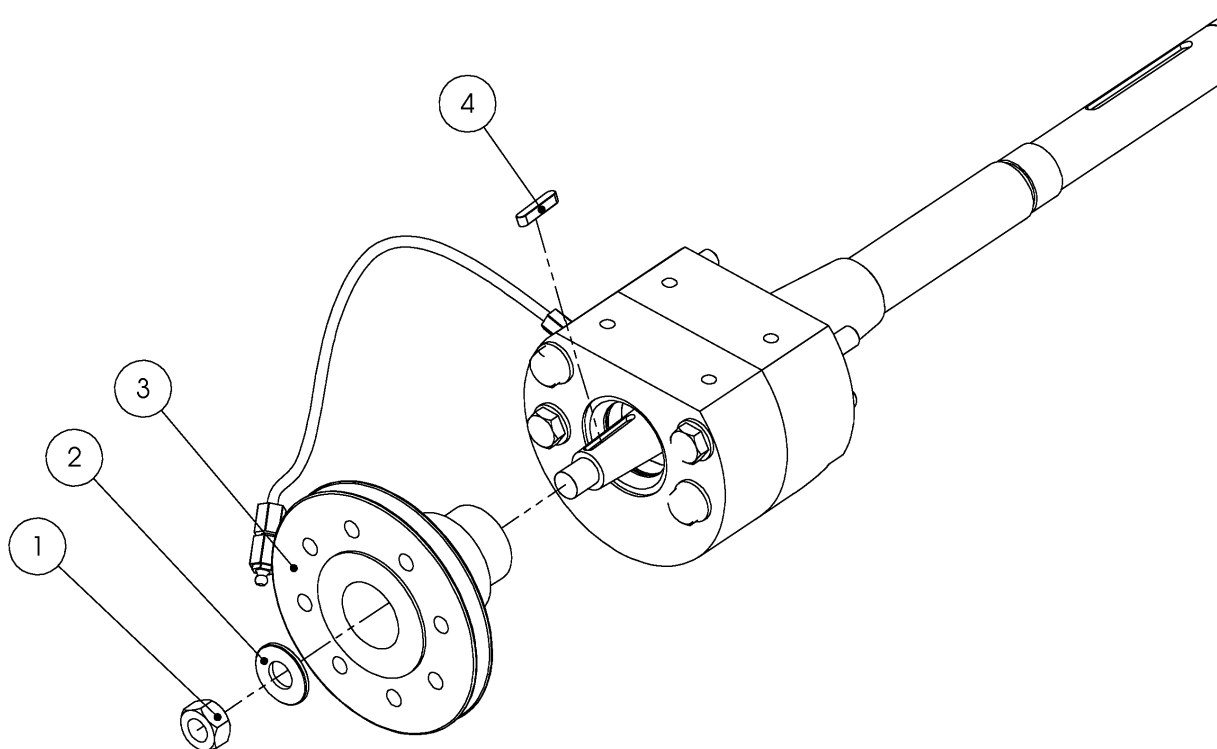
A. Intake screen

Pos.	Code	Name	Qty
1	R31080002	Nyloc M8	4
2	R11080002	Washer M8	4
3	10108	Intake screen 230	1
4	R02080402	Hexagonal socket head screw M8	4



B. Flange

Pos.	Code	Name	Qty
1	R30160002	Nut M16	1
2	R11361632	Washer	1
3	*	Flange	1
4	K0201	Key	1



***Flange is chosen according to intermediate shaft.**

List of the most common used flanges.

Type	Code	Shaft
Din-120	10122	Cardan shaft
CV-joint 15	10192	CV-joint 15
CV-joint 21	10123	CV-joint 21

By using adapter flange you can use other type of intermediate shaft.