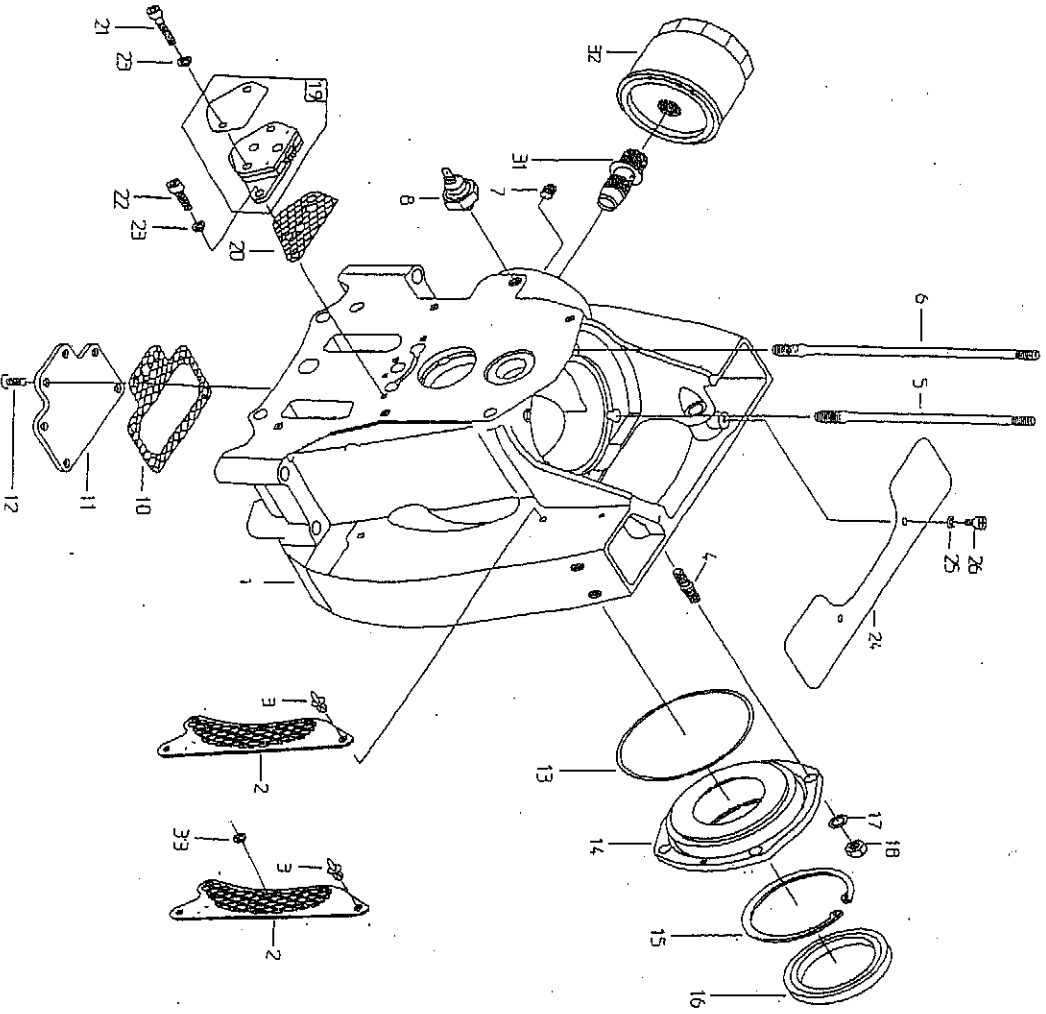


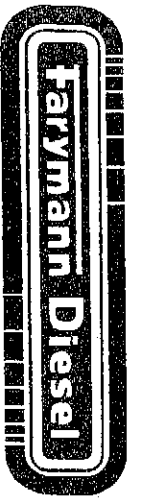


18W 437.M040 N7

Bukh DV7

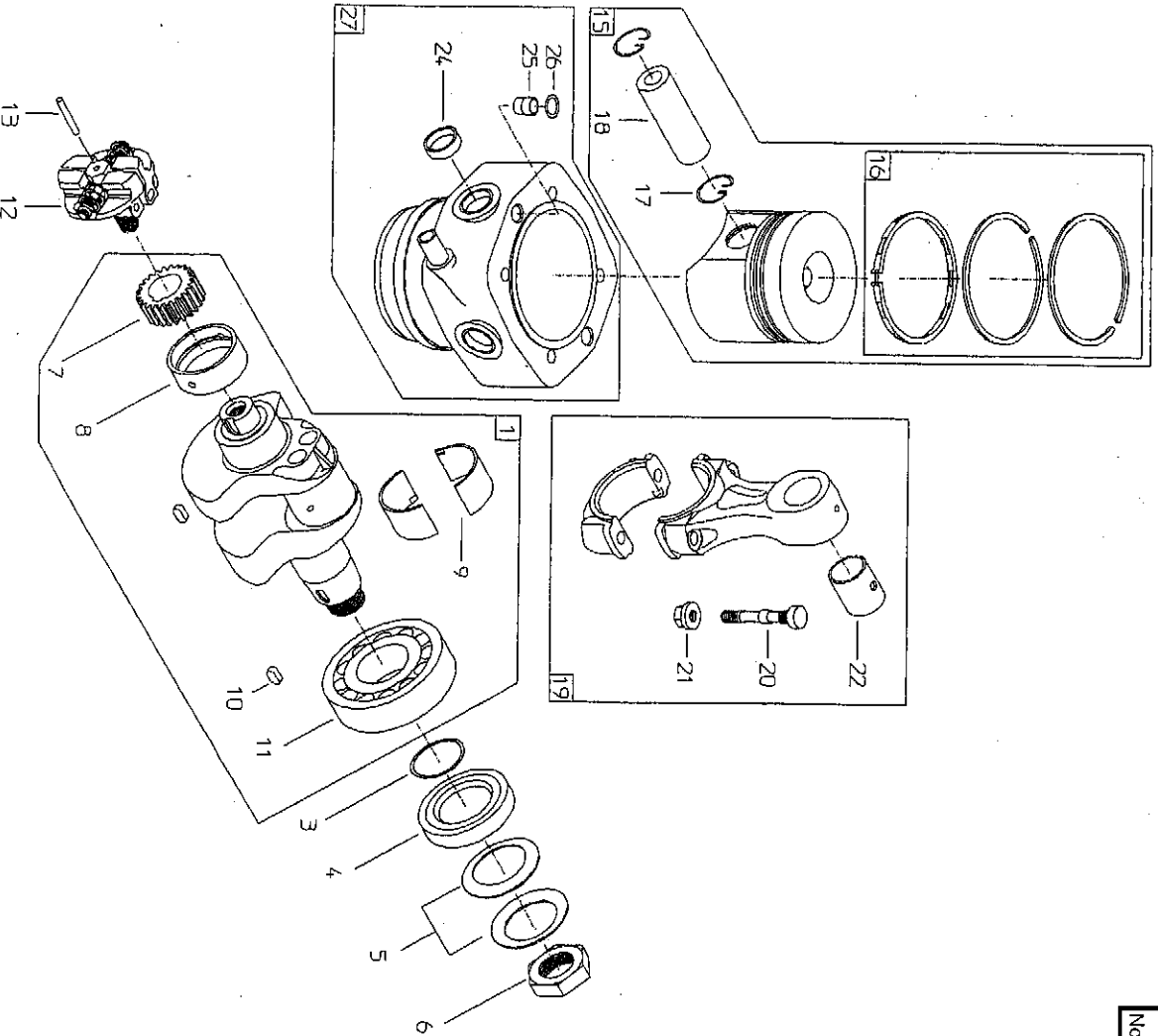


REF No.	PART No.	PC DESCRIPTION	REF No.	PART No.	PC DESCRIPTION
1	711.332.4	1 CRANKCASE	16	890.59.57	1 OIL SEAL 60x80x8
2	917.231.4	1 GUARD	17	890.66.03	4 TOOTHED SPRING W.
2	917.304.4	1 GUARD (CABLE BUSH.)	18	890.38.05	4 NUT-HEX M8
3	861.081.2	4 RIVET-PIN	19	724.033.6	1 OIL PUMP
4	512.090.4	4 STUD	20	770.167.4	1 GASKET-OIL PUMP
5	512.088.4	2 STUD-CYL. MTG	21	890.31.31	2 SCREW HEX M6x30
6	512.089.4	2 STUD-CYL. MTG	22	890.31.06	1 SCREW HEX M6x20
7	890.24.02	1 PLUG M8x1	23	890.78.02	3 LOCK WASHER
8	237.013.2	1 OIL PRESSURE SWITCH	24	917.294.4	1 COVER
10	770.295.4	1 GASKET	25	890.78.01	2 LOCK WASHER
11	917.150.4	1 COVER	26	890.96.01	2 COUNTER SUNK SCR
12	890.95.02	6 SCREW-HD C.S. M6x16	31	761.012.6	1 PRESSURE VALVE
13	850.021.4	1 O-RING 99x3	32	541.050.2	1 OILFILTER
14	727.054.4	1 MAIN BEARING HOUS.	33	861.030.2	1 SPOUT PIPE
15	890.20.23	1 RETAINING RING 80x2.5			

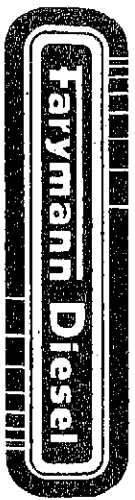


18W 437.M040 N7

Bukh DV7

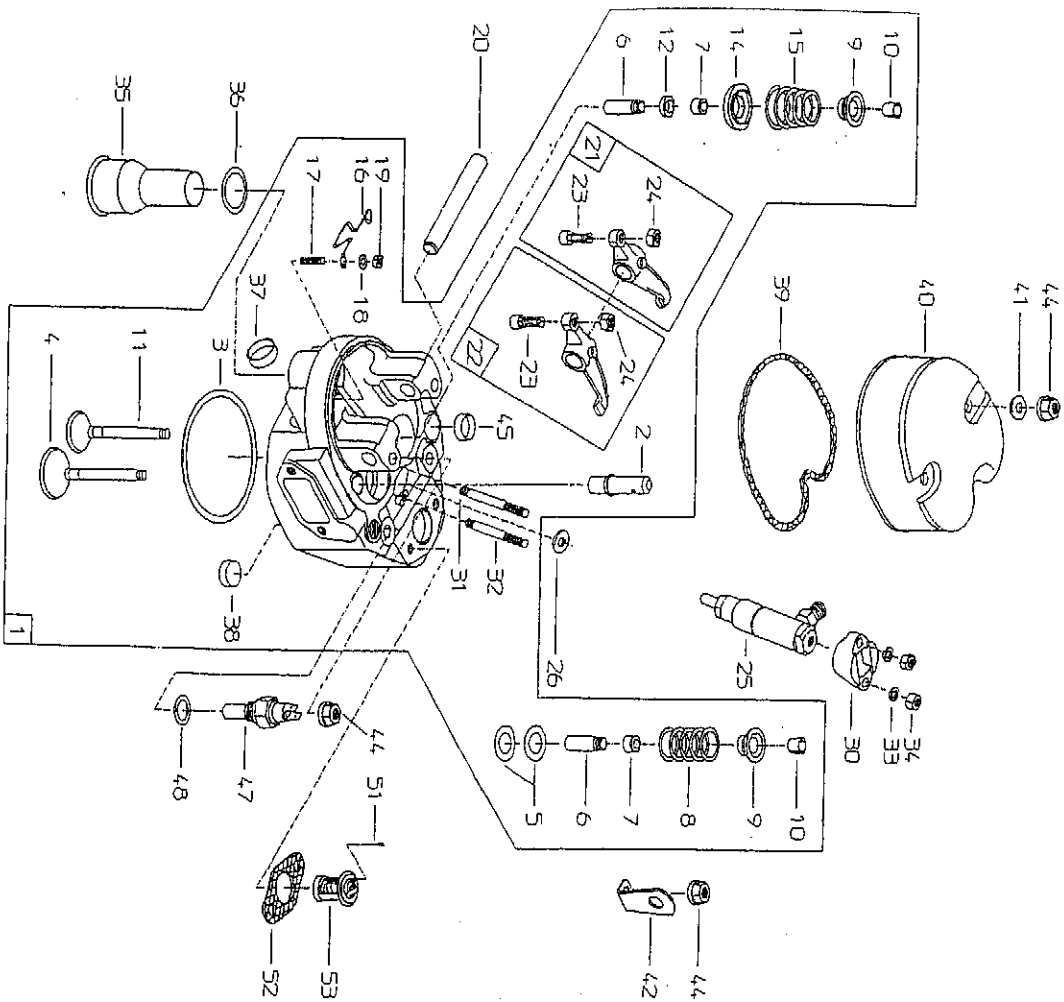


REF No.	PART No.	PC DESCRIPTION	REF No.	PART No.	PC DESCRIPTION
1	E715.075.7	1 CRANKSHAFT ASSY.	12	540.029.1	1 GOVERNOR ASSY.
3	850.010.4	1 O-RING 32x2	13	890.61.06	1 PIN 4x27.8
4	519.034.4	1 ANGLE RING	15	E725.101.8	1 PISTON ASSY.
5	804.006.4	2 WASHER-BELLEVILLE	16	E535.142.1	1 PISTON RING SET
6	514.044.4	1 FLYWHEEL NUT	17	890.91.01	2 LOCK-PISTON PIN
7	452.079.4	1 GEAR	18	418.014.4	1 PISTON PIN
8	775.032.4	1 MAIN BUSHING	19	726.033.5	1 CONNECTING ROD
8	775.033.4	1 MAIN BUSHING	20	510.016.4	2 CONROD BOLT
8	775.034.4	1 MAIN BUSHING	21	514.037.4	2 COLLAR NUT
9	E470.008.4	1 BEARING SHELL	22	465.155.4	1 BUSHING
9	E470.009.4	1 BEARING SHELL	24	890.17.05	4 PLUG-WELCH 22 mm
9	E470.012.4	1 BEARING SHELL	25	960.054.4	2 WATER TRANSFER PIPE
10	890.68.02	2 FITTING-KEY A6x4x12	26	850.004.4	2 O-RING 10x2.2
11	800.025.2	1 BEARING-MAIN F.S.	27	E729.047.5	1 CYLINDER ASSY.

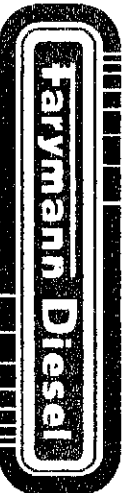


18W 437.M040 N7

Bukh DV7

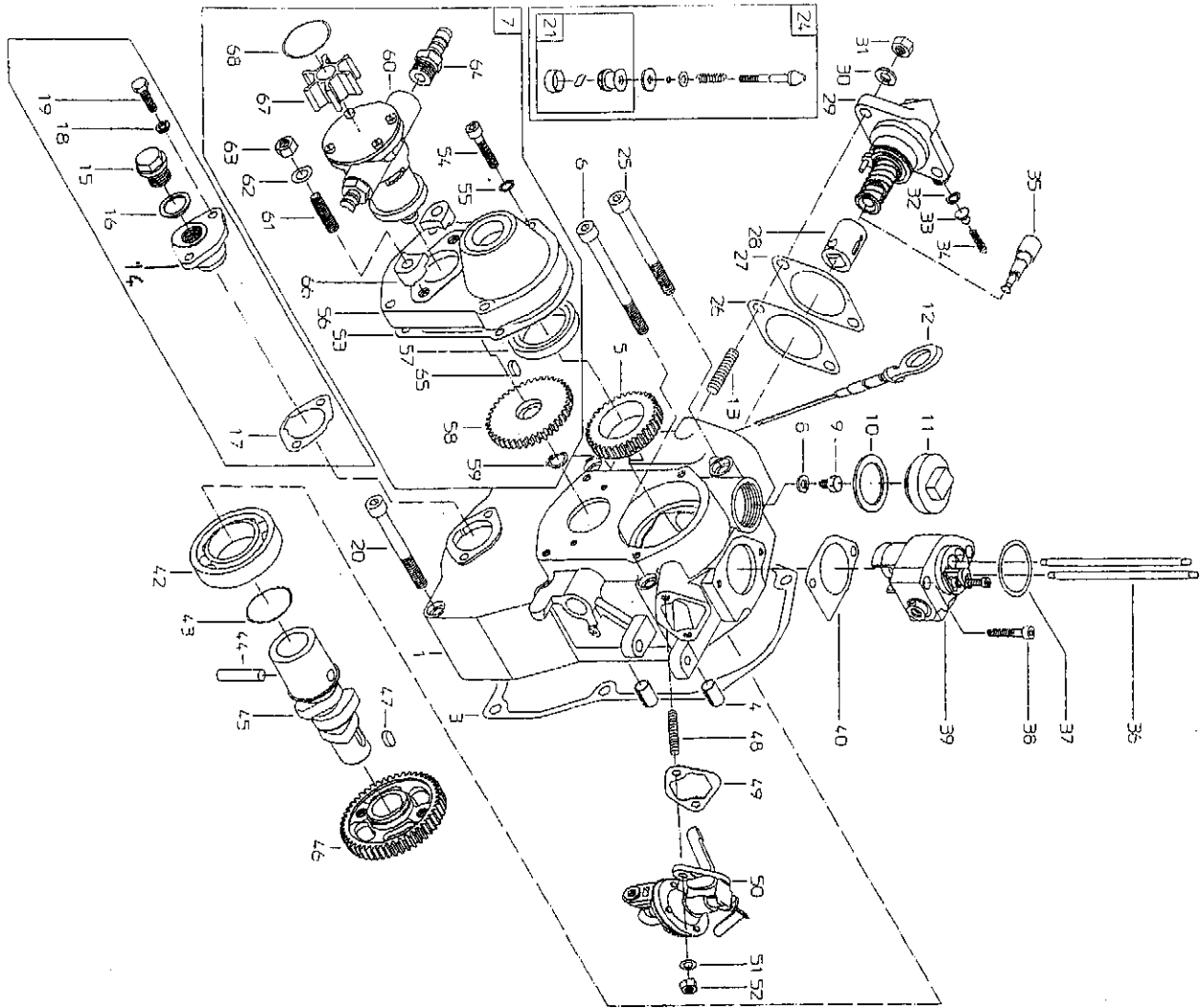


REF No.	PART No.	PC DESCRIPTION	REF No.	PART No.	PC DESCRIPTION
1	E731.192.8	1 CYLINDER HEAD ASSY.	26	850.196.4	1 WASHER
2	712.072.5	1 BREATHER VALVE	30	928.045.4	1 FLANGE
3	771.017.4	1 CYLINDER HEAD GASK.	31	890.43.66	1 STUD M6x50
4	427.030.4	1 VALVE CONE	32	890.43.65	1 STUD M6x45
5	927.015.4	2 WASHER	33	890.78.02	2 LOCK WASHER 6
6	426.018.4	2 VALVE GUIDE	34	890.38.03	2 NUT-HEX 6 mm
7	861.005.4	2 VALVE SEAL	35	921.035.4	1 PUSH ROD TUBE
8	805.044.4	1 PRESSURE SPRING	36	850.064.4	1 O-RING 24x3.5
9	531.005.4	2 RETAINER-VALVE SPG.	37	890.17.05	2 PLUG-WELCH 22 mm
10	E527.002.4	2 VALVE COTTER	38	890.17.04	1 PLUG-WELCH 18 mm
11	427.016.4	1 VALVE CONE	39	770.142.4	1 GASKET-ROCKER COV.
12	521.244.4	1 RING	40	651.032.4	1 ROCKER COVER
14	555.001.2	1 ROTOCAP-VALVE	41	890.08.15	2 WASHER M8
15	805.047.4	1 PRESSURE SPRING	42	924.007.4	1 HANGER
16	807.041.4	1 SPRING-RETAINING	44	514.037.4	6 COLLAR NUT
17	890.28.01	2 STUD M5x10	45	890.17.04	1 PLUG-WELCH 18 mm
18	890.08.01	2 WASHER 5.3	47	555.005.2	1 TEMPERATURE SWITCH
19	890.47.02	2 NUT-HEX 5 mm	48	890.74.19	1 COPPER WASHER
20	415.082.4	1 BOLT	49	890.37.19	2 SCREW HEX M8x20
21	633.035.5	1 ROCKER-ARM	50	890.10.05	2 SPRING WASHER
22	633.034.5	1 ROCKER-ARM	51	890.07.03	1 SPLINT 2x16
23	513.017.4	2 PRESSURE SCREW	52	770.108.4	1 GASKET
24	890.38.04	2 NUT-HEX 7 mm	53	555.003.2	1 THERMOSTAT
25	537.016.1	1 FUEL INJECTOR			



**18W 437.M040 N7**

**Bukh DV7**

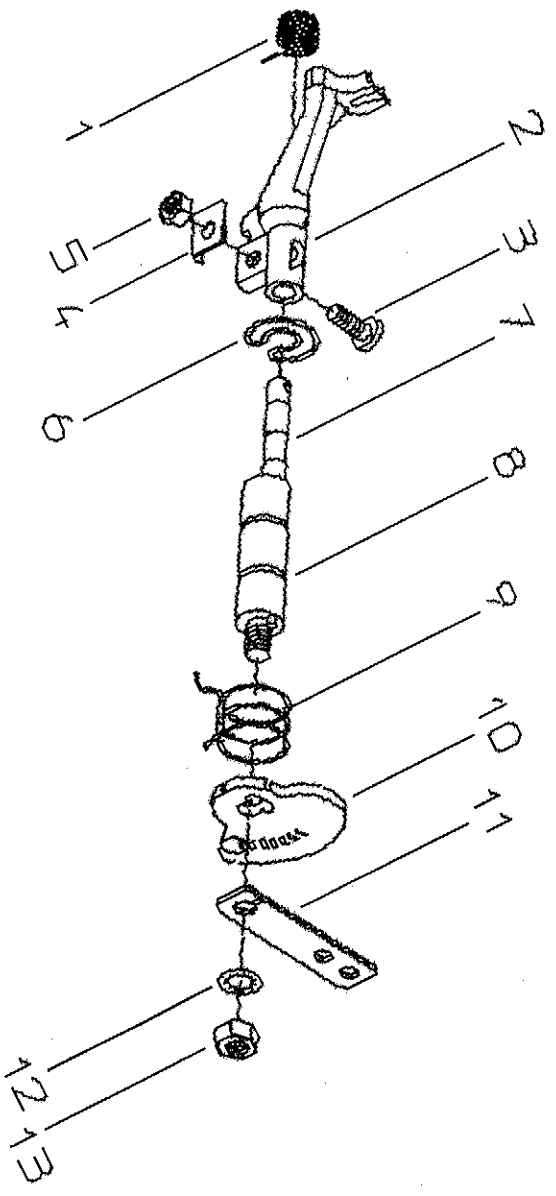
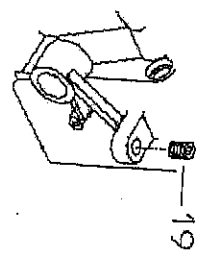


REF No.	PART No.	PC DESCRIPTION	REF No.	PART No.	PC DESCRIPTION
1	718.347.7	1 COVER GEAR	35	536.292.2	1 FUEL PUMP ELEMENT
3	770.145.4	1 GASKET-GEAR COVER	36	421.051.4	2 PUSH ROD
4	890.72.02	2 PIN-ROLL 10x16	37	850.065.4	1 O-RING 32x3
5	451.041.4	1 GEAR	38	890.31.04	2 SCREW HEX M5x30
6	890.31.35	1 SCREW HEX M8x90	39	E128.010.6	1 COMPRES. RELEASE
7	E188.026.8	1 COOL WATERPUMP	40	770.166.4	1 GASKET-GEAR COVER
8	890.10.03	1 SPRING WASHER A6	40	770.203.4	1 GASKET
9	512.094.4	1 SCREW HEX	42	890.25.04	1 GROOVED BALL BEAR.
10	850.066.4	1 GASKET	43	850.088.4	1 O-RING 32.7x1.3
11	E509.018.4	1 CAP-OIL FILLER	44	415.105.4	1 BOLT
12	762.106.5	1 DIPSTICK	45	721.115.5	1 CAMSHAFT
13	890.28.14	2 STUD M8x20	46	452.085.4	1 GEAR
14	928.054.4	1 FLANGE	47	890.68.02	1 FITTING-KEY A6x4x12
15	890.30.03	1 PLUG-OIL DRAIN 3/8"	48	890.28.05	2 STUD M6x20
16	890.74.25	1 COPPER WASHER	49	847.123.4	1 GASKET
17	770.168.4	1 GASKET	50	175.078.1	1 FUEL FEED PUMP
18	890.74.04	2 COPPER WASHER	51	890.11.03	2 LOCK WASHER A6
19	890.37.10	2 SCREW HEX M6x20	52	890.38.03	2 NUT-HEX 6mm
20	890.31.29	2 SCREW HEX M8x70	53	847.121.4	1 GASKET
21	E515.401.4	1 HANDLE	54	890.31.07	4 SCREW HEX M6x25
24	E714.011.8	1 PRIMER ASSY.	55	890.65.05	4 TOOTH. SPRING WASHER
25	890.31.30	3 SCREW HEX M8x80	56	625.147.4	1 COVER
26	945.036.4	1 SHIM 1mm (STEEL)	57	890.59.56	1 OIL SEAL
26	945.009.4	1 SHIM 0.2	58	451.048.4	1 GEAR
26	945.011.4	1 SHIM 0.5	60	538.014.1	1 COOLING WATER PUMP
26	945.018.4	1 SHIM 0.35	61	890.42.10	2 STUD M8x22
27	770.201.4	1 GASKET	62	890.11.05	2 LOCK WASHER A8
28	536.305.2	1 ROLLER TAPET	63	890.38.05	2 NUT-HEX M8
29	536.026.1	1 FULL INJECTION PUMP	64	982.292.2	2 CONNECTOR
30	890.10.05	2 SPRING WASHER A8	65	890.68.43	1 FITTING-KEY A3x3x12
31	890.38.05	2 NUT-HEX M8	66	538.241.2	1 CLAMP
32	536.222.2	1 WASHER	67	538.219.2	1 IMPELLER
33	536.277.2	1 PRESSURE VALVE	68	538.223.2	1 GASKET
34	536.227.2	1 SPRING-DEL. VALVE	69	515.360.2	1 ADJUSTING SCREW

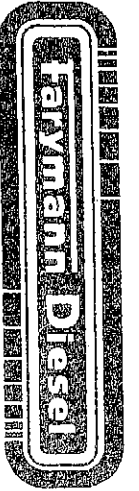


18W 437.M040 N7

Bukh DV7

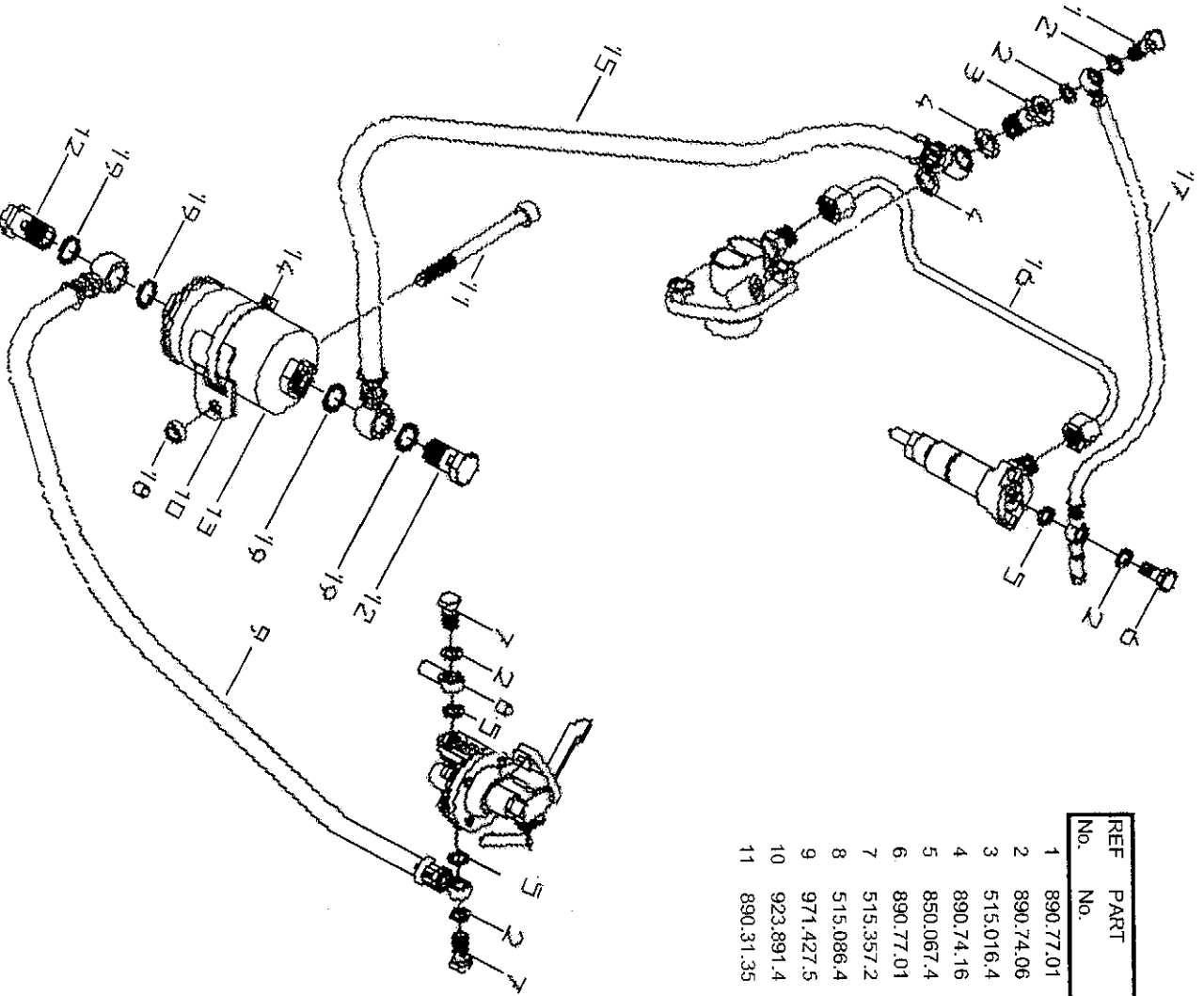


REF No.	PART No.	PC DESCRIPTION	REF No.	PART No.	PC DESCRIPTION
1	807.011.4	1 SPRING-RETURN	8	850.004.4	1 O-RING 10x2.2
2	622.022.4	1 CONTROL LEVER	9	807.003.4	1 TORSION SPRING
3	513.003.4	1 ADJUSTING SCREW	10	920.009.4	1 PLATE-CONTROL
4	941.027.4	1 LOCKING PLATE	11	905.103.4	1 LEVER
5	514.099.2	1 SPRING-STOP NUT HEX	12	890.66.03	1 WASHER
6	820.011.4	1 CLIP-RETAINING	13	890.38.05	1 SCREW-NUT
7	403.023.4	1 ECCENTRIC SHAFT	19	890.32.09	1 STUD BOLT M8x10

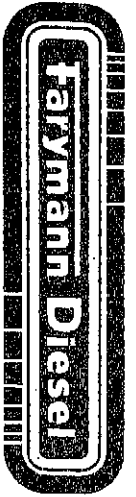


18W 437.M040 N7

Bukh DV7



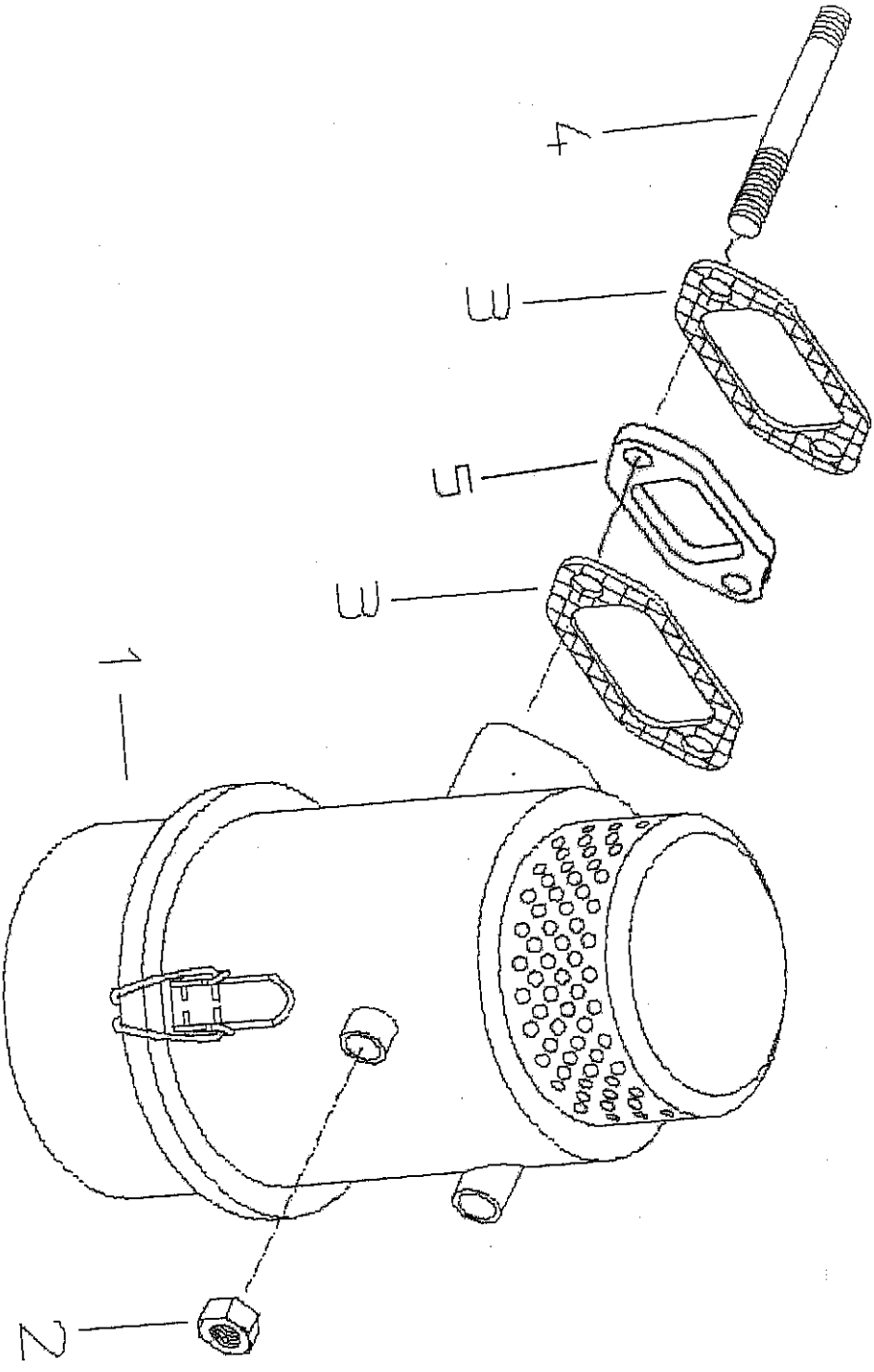
REF No.	PART No.	PC DESCRIPTION	REF No.	PART No.	PC DESCRIPTION
1	890.77.01	1 BANJO-BOLT M8x1	12	890.77.03	2 BANJO-BOLT
2	890.74.06	6 COPPER WASHER	13	541.069.2	1 FUEL FILTER
3	515.016.4	3 BANJO BOLT	14	922.088.2	1 BRACKET-CLAMP
4	890.74.16	2 COPPER WASHER	15	971.428.5	1 FUEL PIPE
5	850.067.4	3 GASKET	16	971.321.5	1 FUEL PRESSURE PIPE
6	890.77.01	1 BANJO-BOLT M8x1	17	971.429.5	1 FUEL PIPE
7	515.357.2	2 BANJO-BOLT	18	466.008.4	1 BUSHING
8	515.086.4	1 CONNECTOR-FUEL LINE	19	890.74.18	4 COPPER WASHER
9	971.427.5	1 FUEL PIPE			
10	923.891.4	1 BRACKET			
11	890.31.35	1 SCREW HEX M8x90			



18W 437.M040 N7

Bukh DV7

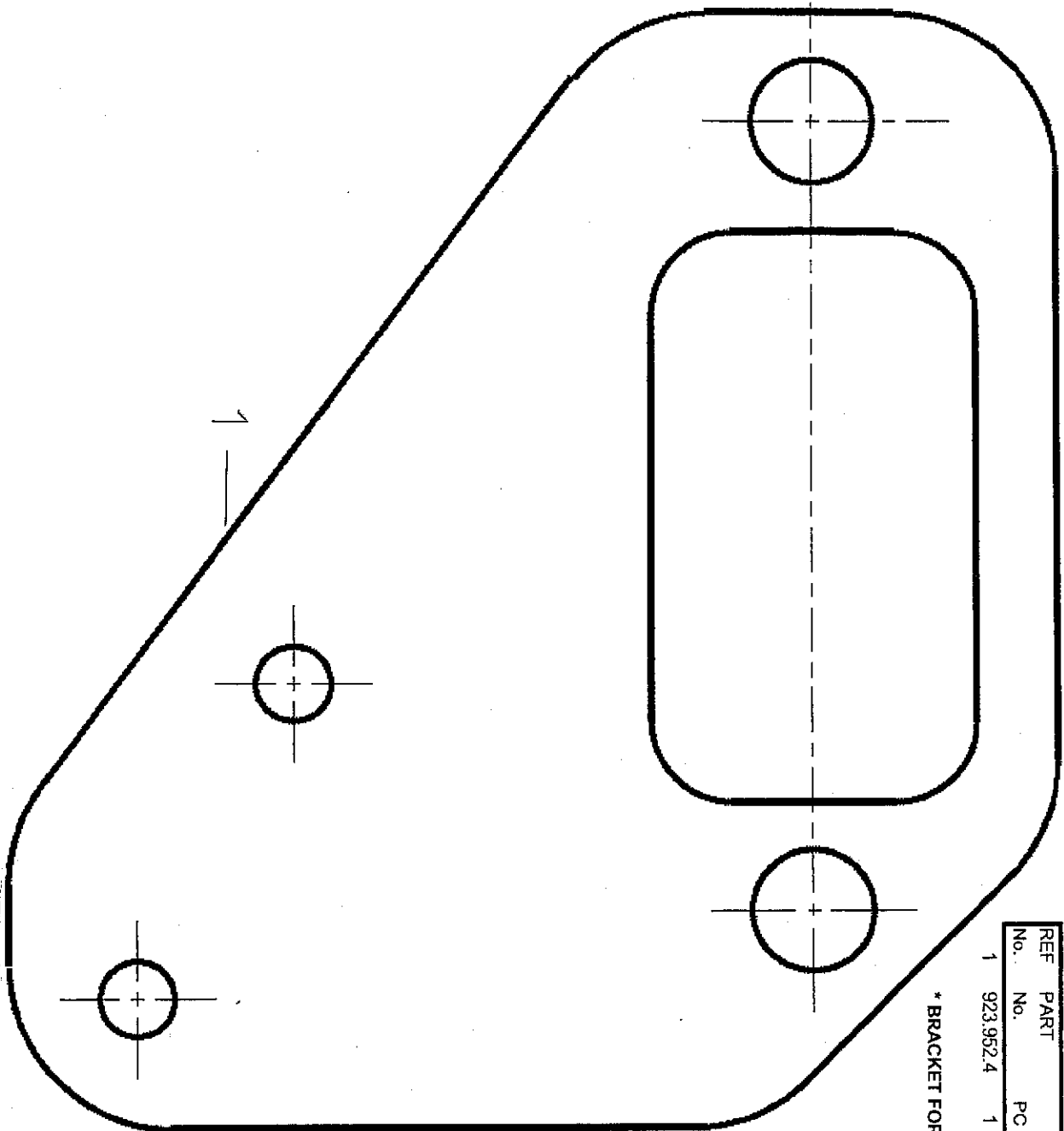
REF No.	PART No.	PC DESCRIPTION	REF No.	PART No.	PC DESCRIPTION
1	741.162.5	1 SILENCER INTAKE	3	770.158.4	2 GASKET AIR CLEANER
2	890.47.51	2 NUT-HEX SELF LOCKING	4	890.43.80	2 STUD M8x150
2	514.085.2	2 NUT-HEX M8	5	928.081.3	1 FLANGE





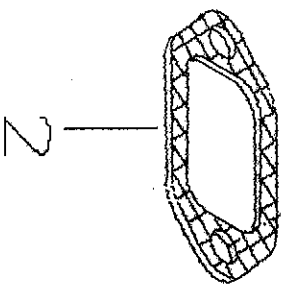
18W 437.M040 N7

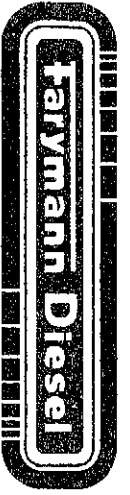
Bukh DV7



REF No.	PART No.	PC DESCRIPTION	REF No.	PART No.	PC DESCRIPTION
1	923.952.4	1 *BRACKET	2	770.158.4	1 GASKET AIR CLEANER

\* BRACKET FOR BOWDEN CABLE

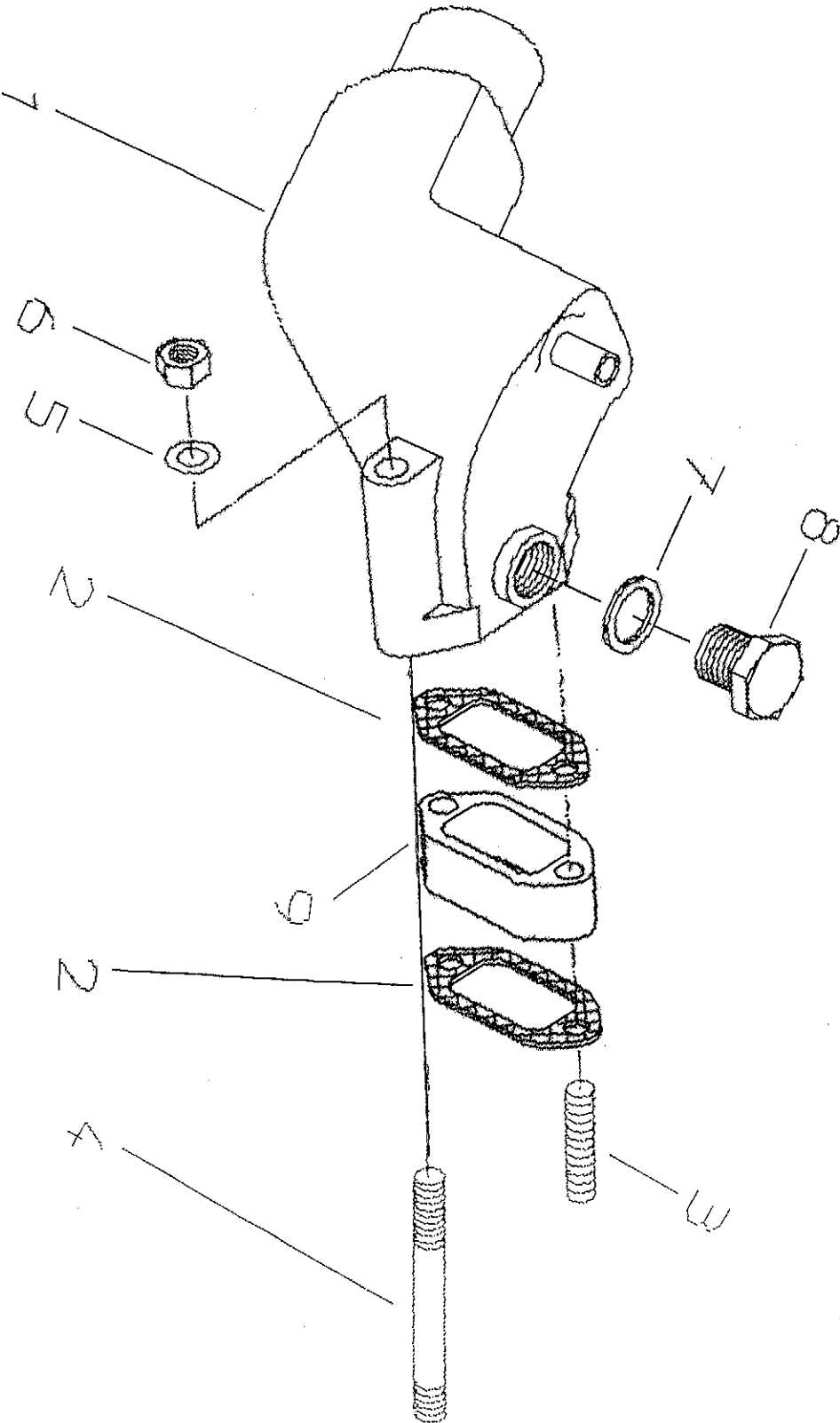


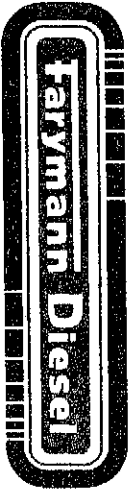


18W 437.M040 N7

Bukh DV7

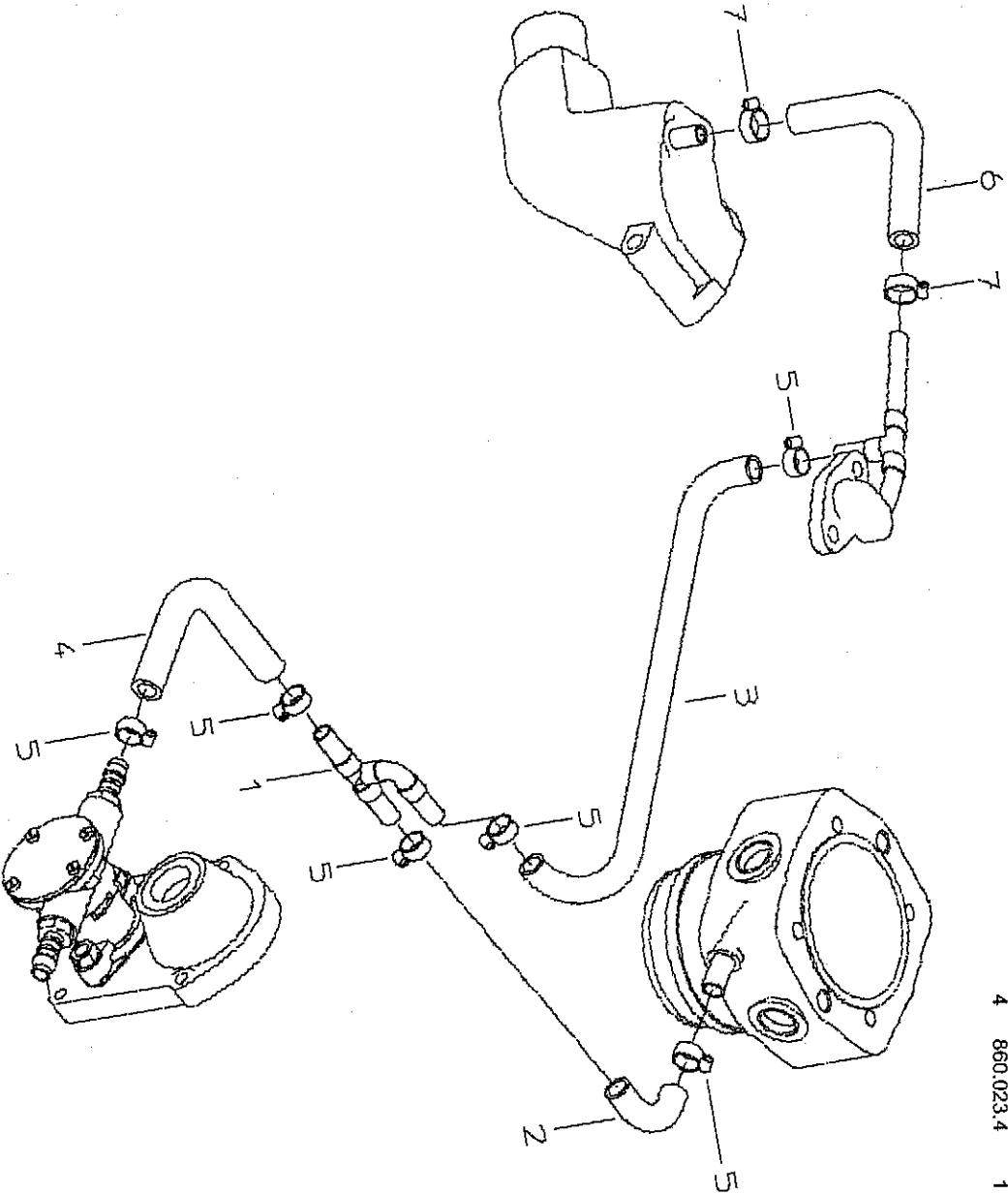
REF No.	PART No.	PC DESCRIPTION	REF No.	PART No.	PC DESCRIPTION
1	617.027.5	1 INJECTION ELBOW	5	890.11.05	2 LOCK WASHER A8
2	770.158.4	2 GASKET	6	890.38.05	2 NUT-HEX M8
3	890.43.19	1 STUD M8x50	7	890.74.23	1 COPPER WASHER
4	890.28.82	1 STUD M8x95	8	890.75.07	1 PLUG SCREW M16x1.5
			9	928.081.3	1 FLANGE



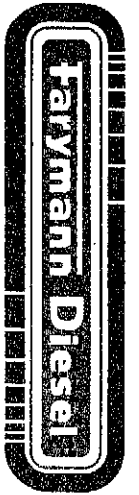


18W 437.M040 N7

Bukh DV7

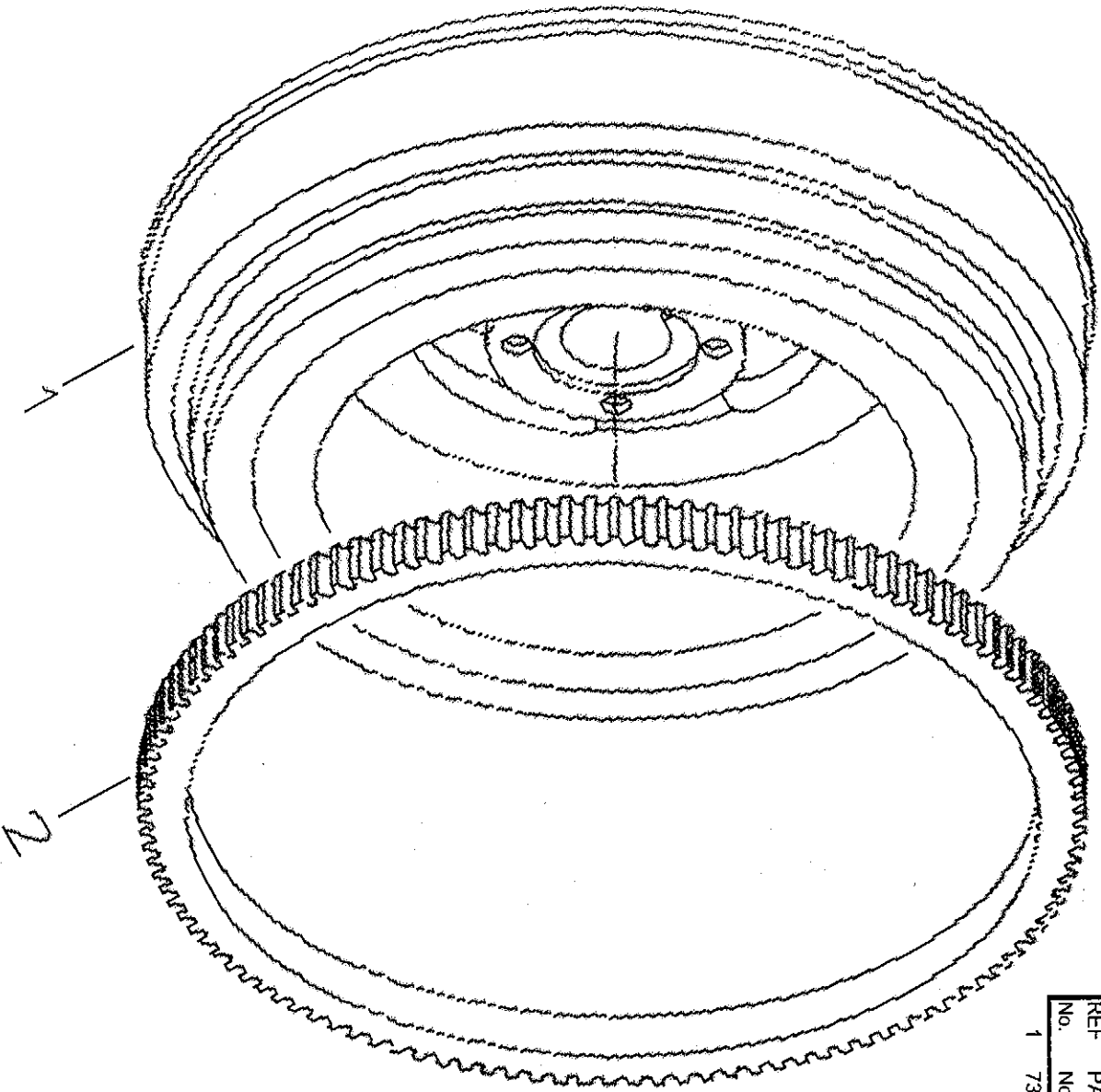


REF No.	PART No.	PC DESCRIPTION	REF No.	PART No.	PC DESCRIPTION
1	982.243.5	1 DISTRIBUTOR	5	922.072.2	6 BRACKET-CLAMP
2	860.359.4	1 HOSE	6	860.023.4	1 HOSE
3	860.145.4	1 HOSE	7	922.080.2	2 BRACKET-CLAMP
4	860.023.4	1 HOSE			



18W 437.M040 N7

Bukh DV7

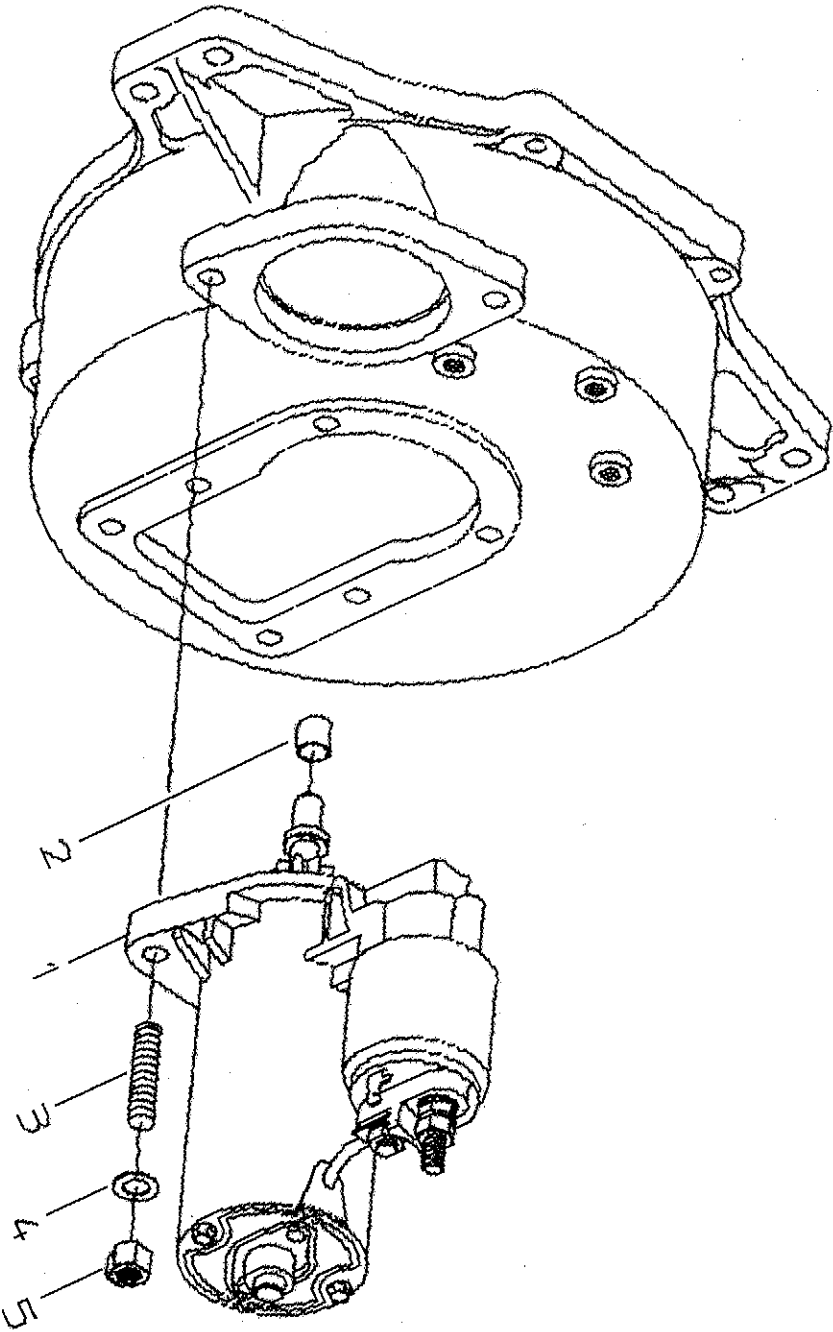


REF No.	PART No.	PC DESCRIPTION	REF No.	PART No.	PC DESCRIPTION
1	738.297.4	1 FLYWHEEL	2	453.019.4	1 GEAR RING



18W 437.M040 N7

Bukh DV7



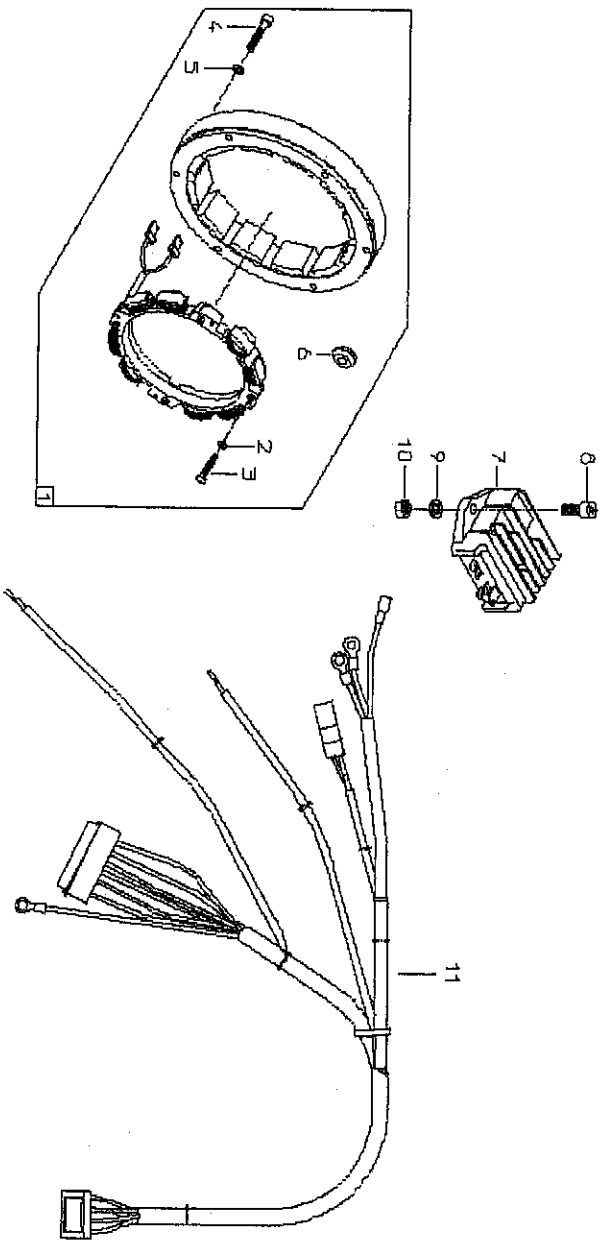
REF No.	PART No.	PC DESCRIPTION	REF No.	PART No.	PC DESCRIPTION
1	547.437.4	1 STARTER 12V	4	890.11.07	2 LOCK WASHER A10
2	547.069.2	1 BUSHING	5	890.85.01	2 NUT-HEX M10
3	890.28.32	2 STUD M10x25			



18W 437.M040 N7

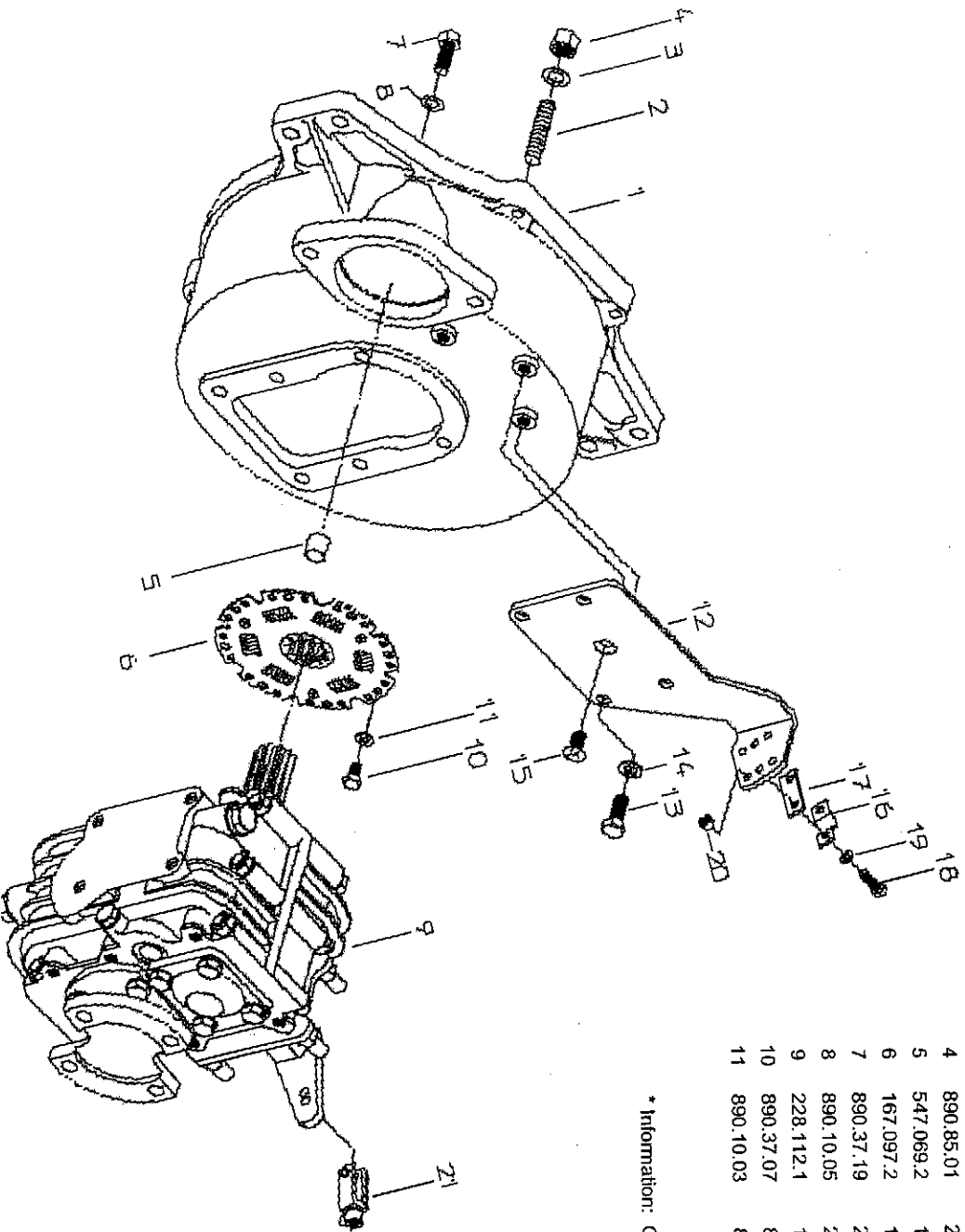
Bukh DV7

REF No.	PART No.	PC DESCRIPTION	REF No.	PART No.	PC DESCRIPTION
1	E158.181.7	1 ALTERNATOR ASSY.	7	547.432.1	1 REGULATOR 12V
2	890.10.13	4 SPRING WASHER A4	8	890.31.10	2 SCREW HEX M8x20
3	890.37.71	4 SCREW HEX M4x25	9	890.10.05	2 SPRING WASHER A8
4	890.31.04	6 SCREW HEX M5x30	10	890.38.05	2 NUT-HEX M8
5	890.78.01	6 LOCK WASHER	11	547.444.8	1 CABLE ASSY.
6	861.035.2	1 SPOUTPIPE			



**18W 437.M040 N7**

**Bukh DV7**



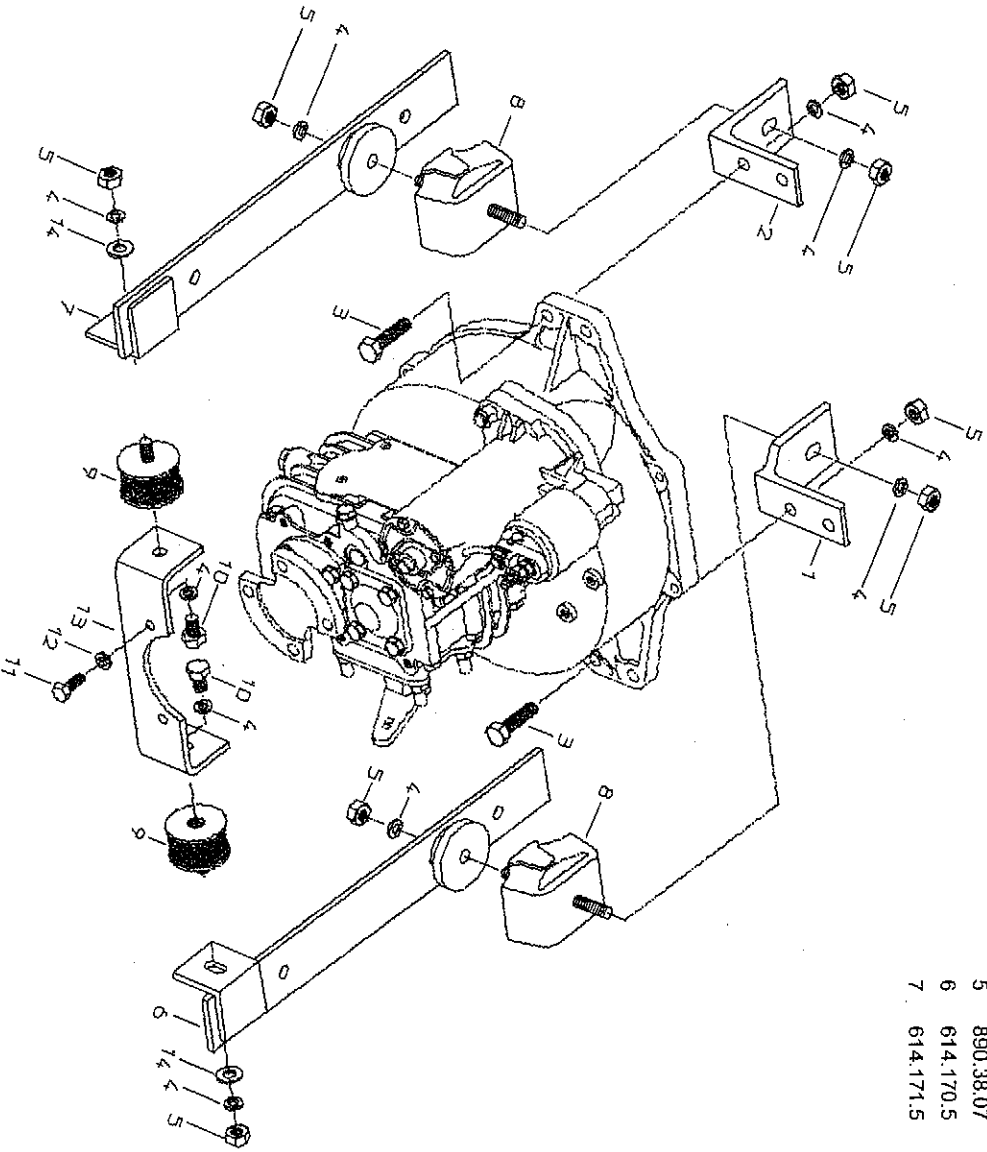
REF No.	PART No.	PC DESCRIPTION	REF No.	PART No.	PC DESCRIPTION
1	630.456.4	1 Flange	12	923.890.4	1 BRACKET
2	890.31.33	2 STUD M10x45	13	890.37.20	6 SCREW HEX M8x25
2	890.31.40	2 STUD M10x150	14	890.11.05	6 SPRING WASHER A8
3	890.11.07	4 LOCK WASHER A10	15	890.95.10	1 SCREW HD C.S. M8x16
4	890.85.01	2 NUT-HEX M10 SW15	16	922.044.4	1 CLAMP
5	547.069.2	1 BUSHING	17	922.045.4	1 SHIM
6	167.097.2	1 TORSIONAL DAMPER	18	890.37.04	2 SCREW HEX M5x16
7	890.37.19	2 SCREW HEX M8x20	19	890.10.01	2 SPRING WASHER A5
8	890.10.05	2 LOCK WASHER A8	20	890.38.02	2 NUT-HEX 5mm
9	228.112.1	1 GEAR BOX ASSY. ZF	21	555.021.2	1 CONNECTOR
10	890.37.07	8 SCREW HEX M6x12			
11	890.10.03	8 SPRING WASHER A6			

\* Information: Gearbox ZF (2:1)



18W 437.M040 N7

Bukh DV7

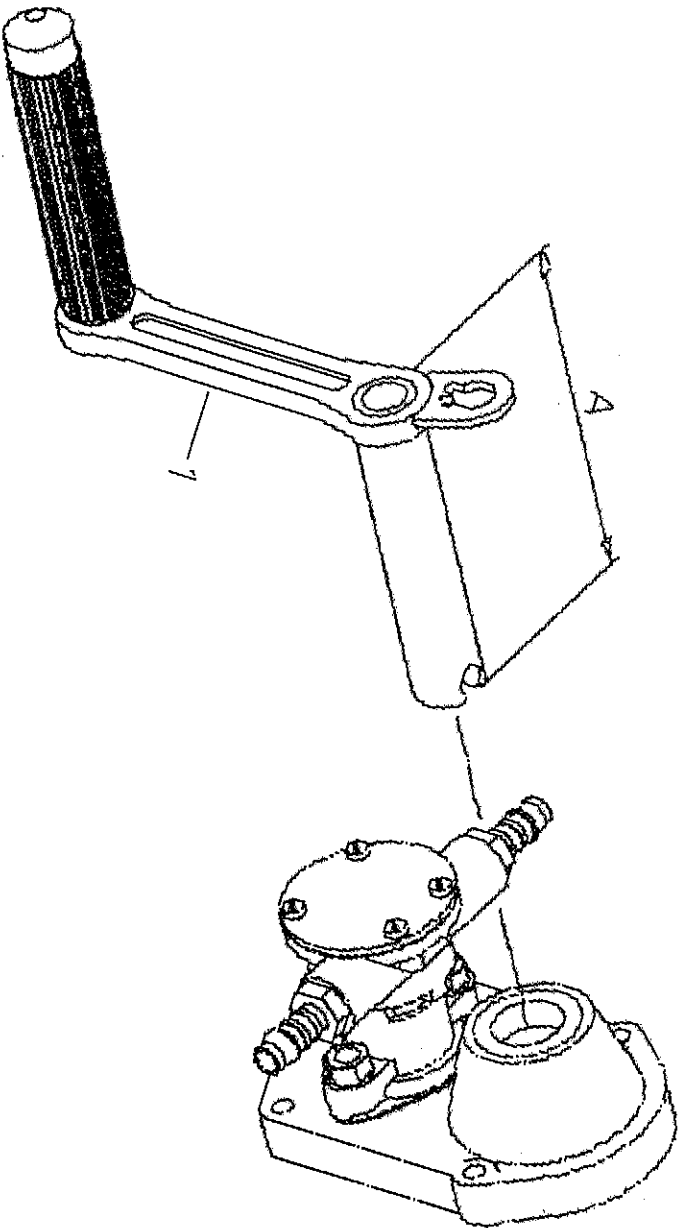


REF No.	PART No.	PC DESCRIPTION	REF No.	PART No.	PC DESCRIPTION
1	825.253.4	1 ENGINE MOUNT / RIGHT	8	534.004.2	2 RUBBER MOUNTING
2	825.254.4	1 ENGINE MOUNT / LEFT	9	534.012.2	2 RUBBER MOUNTING
3	890.37.35	4 SCREW HEX M10x40	10	890.37.30	2 SCREW HEX M10x16
4	890.10.07	12 SPRING WASHER A10	11	890.37.19	2 SCREW HEX M8x20
5	890.38.07	10 NUT-HEX 10mm	12	890.10.05	2 SPRING WASHER A8
6	614.170.5	1 MOUNTING BRACKET	13	923.881.4	1 BRACKET
7	614.171.5	1 MOUNTING BRACKET	14	890.08.06	4 WASHER 10.5



18W 437.M040 N7

Bukh DV7



REF No.	PART No.	PC DESCRIPTION	REF No.	PART No.	PC DESCRIPTION
1	110.208.5	1 CRANK-HANDLE			



18W 437.M040 N7

Bukh DV7

REF No.	PART No.	PC DESCRIPTION	REF No.	PART No.	PC DESCRIPTION
1	E770.261.8	1 GASKET SET			

