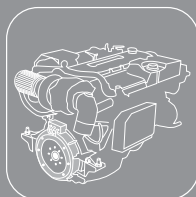


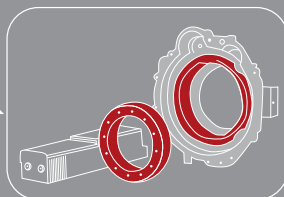


## STEYR IFG POWER SYSTEM

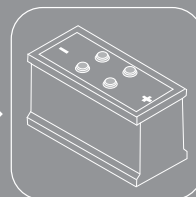
the smart electricity solution



marine engine



IFG power system



battery bank



electricity supply







## THE NEW LIFESTYLE ABOARD

All inboard engine equipped boats require at least 12V DC electric supply system to operate the light and start the engine. For additional electric loads like radios, winches, refrigerators, VHF communication, navigation instruments and fans, low voltage DC electric supply is sufficient.

Modern, larger and well equipped boats also for living on board, require higher electric power, with 220/110 Volt supply, to operate the electric oven, electric water boiler, water maker, air conditioning, dish washer, vacuum cleaner, battery charger and some other equipment. These electric power requirements are normally higher when the boats are not in operation.

Conventional generator sets are available in many sizes for these requirements. They require additional space and installation, additional maintenance and they run continuously whenever the high AC voltage is required, with high engine speed, mostly 3000/3600 rpm. In the increasingly overcrowded bays, the continuously or longer running generator sets cause more and more protests from the neighbour's boats. Optional retail list prices of such equipment installed in the boat range from between 3 to 4 times of the genset unit price. In the boats below 40' lengths it is also difficult to find an additional space with good enough service accessibility for this purpose.

With the newly developed STEYR IFG POWER SYSTEM electric supply system, the electricity supply is solved in a much more suitable and reliable way, with cost, space, noise, function and pollution advantages.

**STEYR IFG POWER SYSTEM: The most sophisticated electricity supply system for boats between 22 and 75' length.**



For all requirements the STEYR IFG POWER SYSTEM provides enough DC and AC electric power and there is no need for an additional gas cooker and dangerous gas bottles on board.

# STEYR IFG POWER SYSTEM



## ■ GENERATOR SOLUTIONS FOR ALL REQUIREMENTS

STEYR MOTORS integrated flywheel generator "IFG" is an efficient and compact electric power source using the latest technology. (Continuous power of 14V or 28V/5kW DC provides sufficient energy for almost all additional electrical loads possible on current applications.) The STEYR IFG Power System consists of a permanent magnet electric generator and the appropriate electronic controller.

- Powerful output of DC supply 14V/28V
- New model with 220V/4kW AC output available
- Compact, integrated design
- Just 30 mm elongation of engine length
- Robust permanent magnet technology
- Three phase brushless design, virtually maintenance free solution
- High efficiency (>80%)

## ■ MULTIPLE BENEFITS

- **SAFE BOATING:** no gas on board necessary
- **MORE COMFORT:** because low speed part time generating
- **LOW COSTS:** no extra installation required, no extra service required
- **MORE SPACE:** integrated compact (30 mm / 1,18") solution
- **MORE RELIABILITY:** brushless permanent magnet technology
- **ADAPTABILITY:** simple adaptation for gel-batteries
- **SUITABILITY:** easy application with off-the-shelf inverters up to 4,2 / 4,5 kW AC output (only for DC models)



# STATE OF THE ART TECHNOLOGY

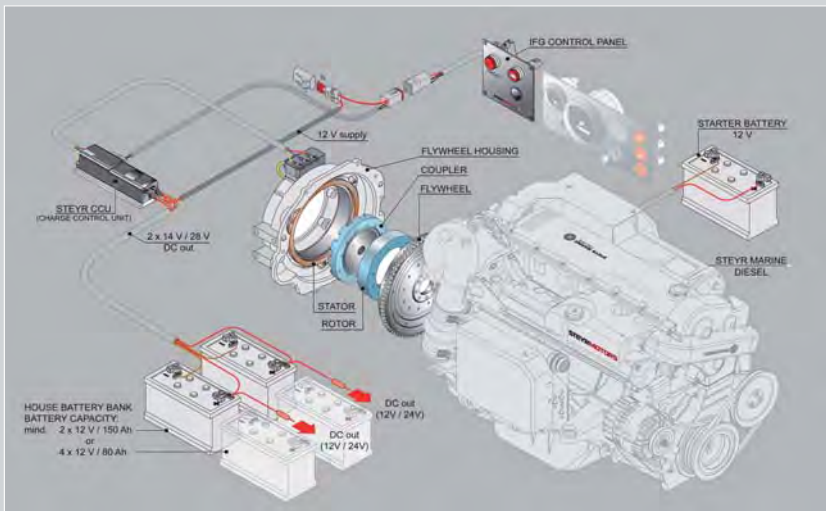
## STANDARD SUPPLY CONTENT "IFG"

- COOLED FLYWHEEL HOUSING / STATOR WINDINGS
- ROTOR / FLYWHEEL ASSEMBLY
- IFG SWITCH PANEL AND HARNESS
- CHARGE CONTROL UNIT (CCU)
- OPTIONAL 12V/24V DC model  
220V/110V inverter, SCC and 10 boxes
- OPTIONAL 220V/110V AC model (for permanent supply)  
220V/110V inverter
- further requirements: 3 step battery charger, batteries, generator / inverter switch

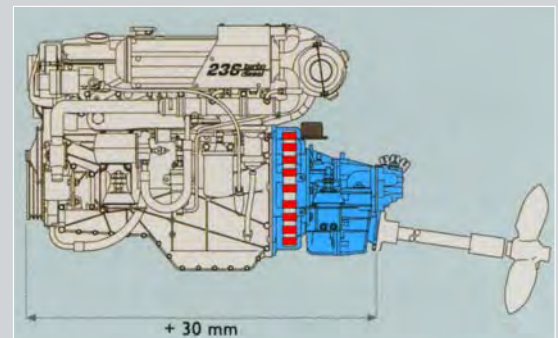
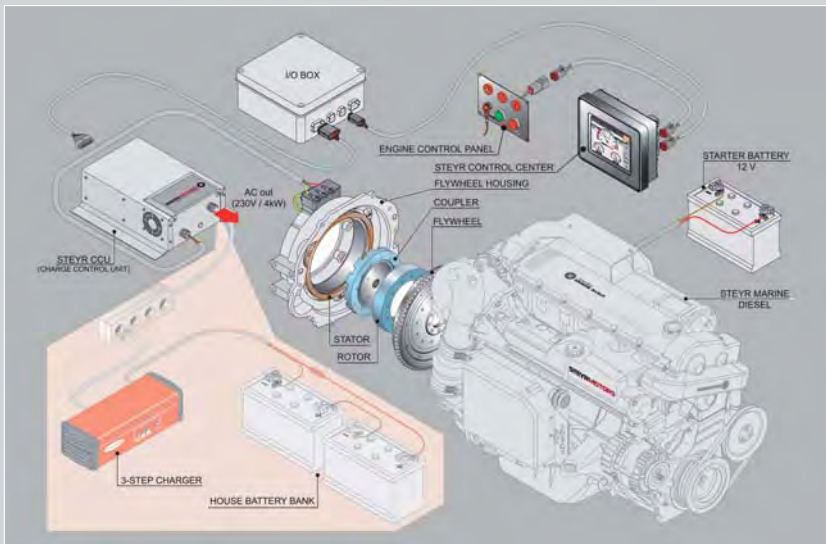
### WEIGHT

Rotor	7,5 kg	16.5 lbs
Stator	10,5 kg	23.1 lbs
CCU	9,2 kg	20.24 lbs

## INSTALLATION SCHEME 12V / 24V DC MODEL

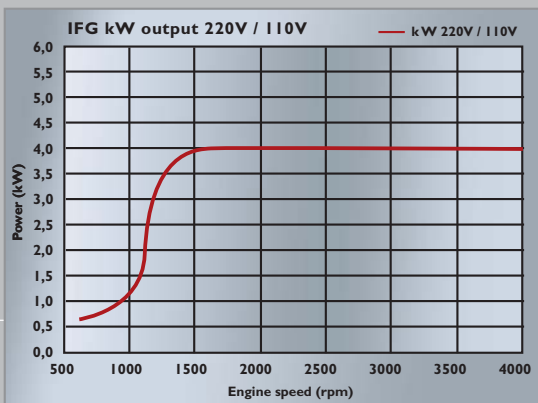
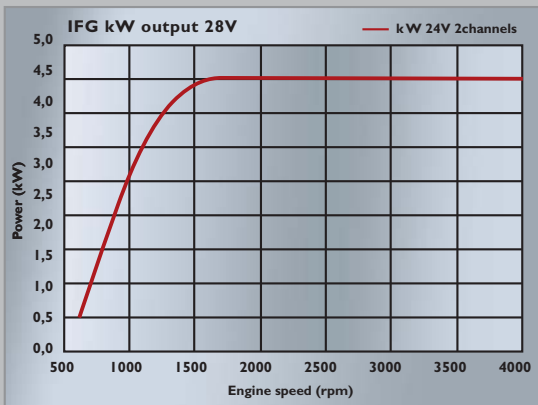
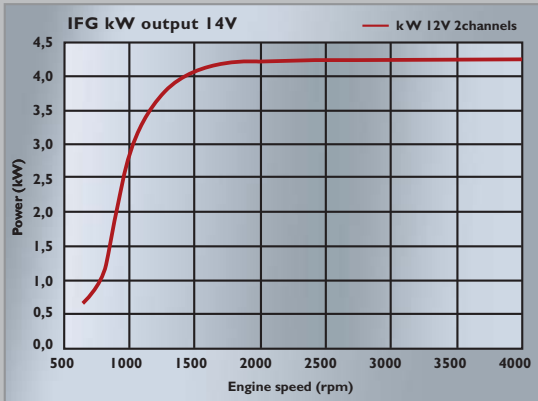


## INSTALLATION SCHEME 220V / 110V AC MODEL



**REQUIRED SPACE** Standard packaging + 30 mm

**STEYR MOTORS GmbH**  
 Im Stadtgut B1, A-4407 Steyr, AUSTRIA  
 Tel +43 (0)7252/222-0  
 Fax +43 (0)7252/222-29  
 e.sales@steyr-motors.com  
 www.steyr-motors.com



Find your nearest Dealer and Service location under [www.steyr-motors.com](http://www.steyr-motors.com)