

Vetus[®]

HPCOOLER

Hydraulic marine propulsion

Oliekoeler

Oil cooler

Ölkühlung

Refrigeriseur d'huile

Refrigerador del aceite

Refrigeratore olio

Installatie instructies

Installation instructions

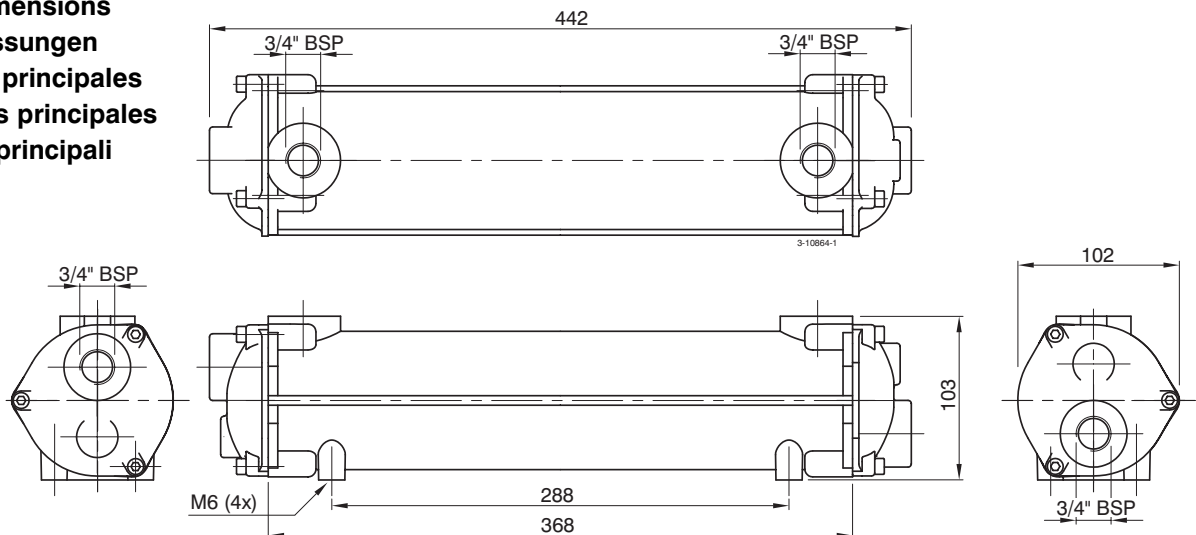
Installationsvorschriften

Instructions d'installation

Instrucciones de instalación

Istruzioni per l'installazione

Hoofdafmetingen
Principal dimensions
Hauptabmessungen
Dimensions principales
Dimensiones principales
Dimensioni principali



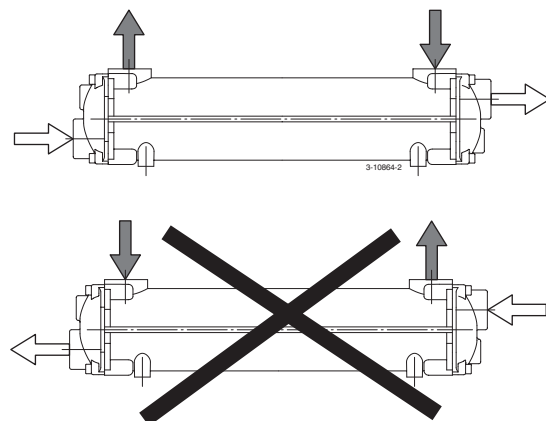
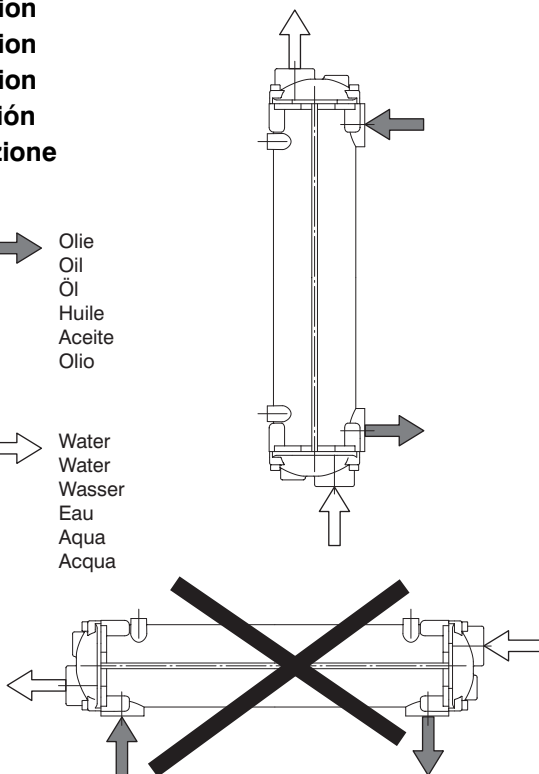
Technical data

Maximum oil flow	: 90 l/min
Maximum sea water flow	: 30 l/min
Internal oil volume	: 0.97 l
Internal water volume	: 0.71 l
Weight	: 4.8 kg
Maximum working oil pressure	: 20 bar
Maximum working water pressure	: 20 bar
Maximum working temperature	: 120°C
Seal	: nitrile
End covers	: bronze

Installatie
Installation
Installation
Instalación
Installazione

→ Olie
Oil
Öl
Huile
Aceite
Olio

→ Water
Water
Wasser
Eau
Aqua
Acqua



vetus den ouden n.v.

FOKKERSTRAAT 571 - 3125 BD SCHIEDAM - HOLLAND - TEL.: +31 10 4377700 - TELEX: 23470
TELEFAX: +31 10 4372673 - 4621286 - E-MAIL: sales@vetus.nl - INTERNET: <http://www.vetus.com>

Printed in the Netherlands
120502.01 03-05