

- Ball valve** : Electrically operated ball valve
- Application** : Remotely controlled valve on board of pleasure craft, amongst others as seacock.
- Features** : Metal transmission and gears
 High opening and closing torque (reduced chance of jamming)
 Simple manual operation in case of power failure
 Thermal overload protection
 Low maintenance
 Suitable for salt water, fresh water and diesel fuel
- Construction** : 3-piece construction, Metal ball valve, Rotary actuator and Coupling with bracket

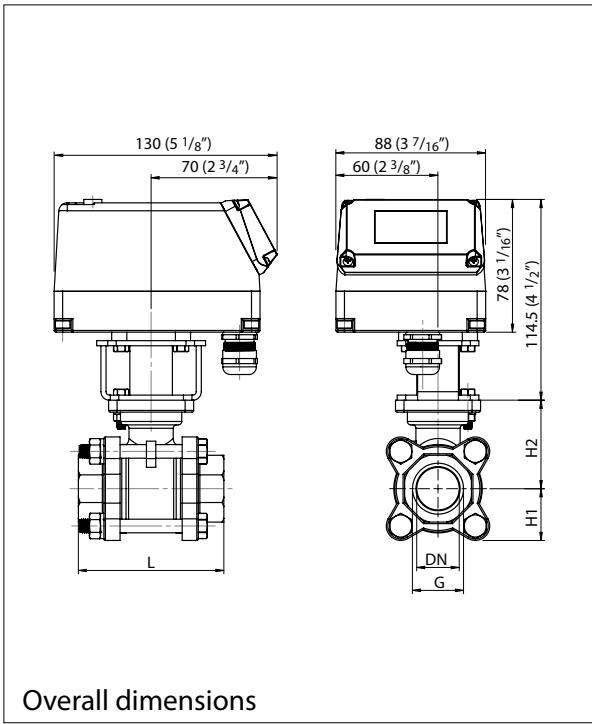
Specifications,

	Type		
	MV12A1/2	MV24A1/2	MV24B2
	MV12A3/4	MV24A3/4	
	MV12A1	MV24A1	
	MV12A11/4	MV24A11/4	
	MV12A11/2	MV24A11/2	
Voltage, nominal	12 V	24 V	
Power supply range	11 - 14 V	18 - 28 V	20 - 28 V
Operating current @ max. torque	2.2 A ± 10 % @ 13.8 V	1.2 A ± 10 % @ 27.6 V	4.1 A ± 5 % @ 27.6 V
Quiescent current	50 ± 5 mA	25 ± 5 mA	60 ± 5 mA
Max. Torque	40 Nm (29.5 ft.lb)		220 Nm (162 ft.lb)
Max. pressure	60 bar (870 psi)		
Medium temperature	max. 100°C (212°F)		
Operation	Open/Closed		
Angle of rotation	90°		
Direction of rotation	Left/right		
Operating time open - close	12 s		25 s
Position indication	Visual indicator		
Manual override	Available		
Humidity	max. 90%, no condensation may form		
Ambient temperature	-20 to +45°C (-4 °F to +113 °F).		
Protection	IP 67		
Ball valve material	RVS 316		
Control housing material	Cast aluminium, powder-coated		
Length of the connection cable	80 cm (31 ")		

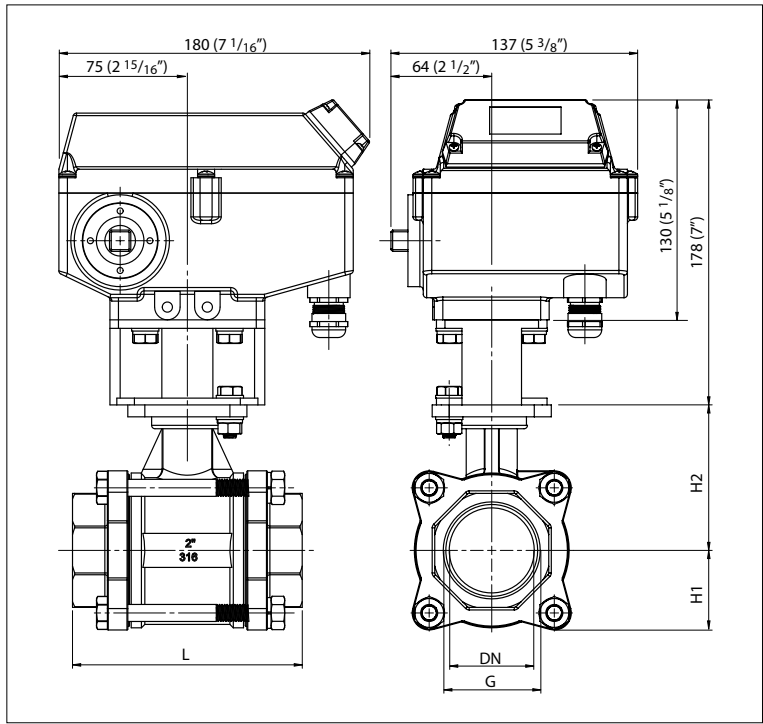
- Relevant CE Standards** : EN55014 (EMC Directive 2004/108/EC)
 : ISO8846 (RCD 94/25/EC amended by 2003/44/EC)

Certification : DCI-RCD

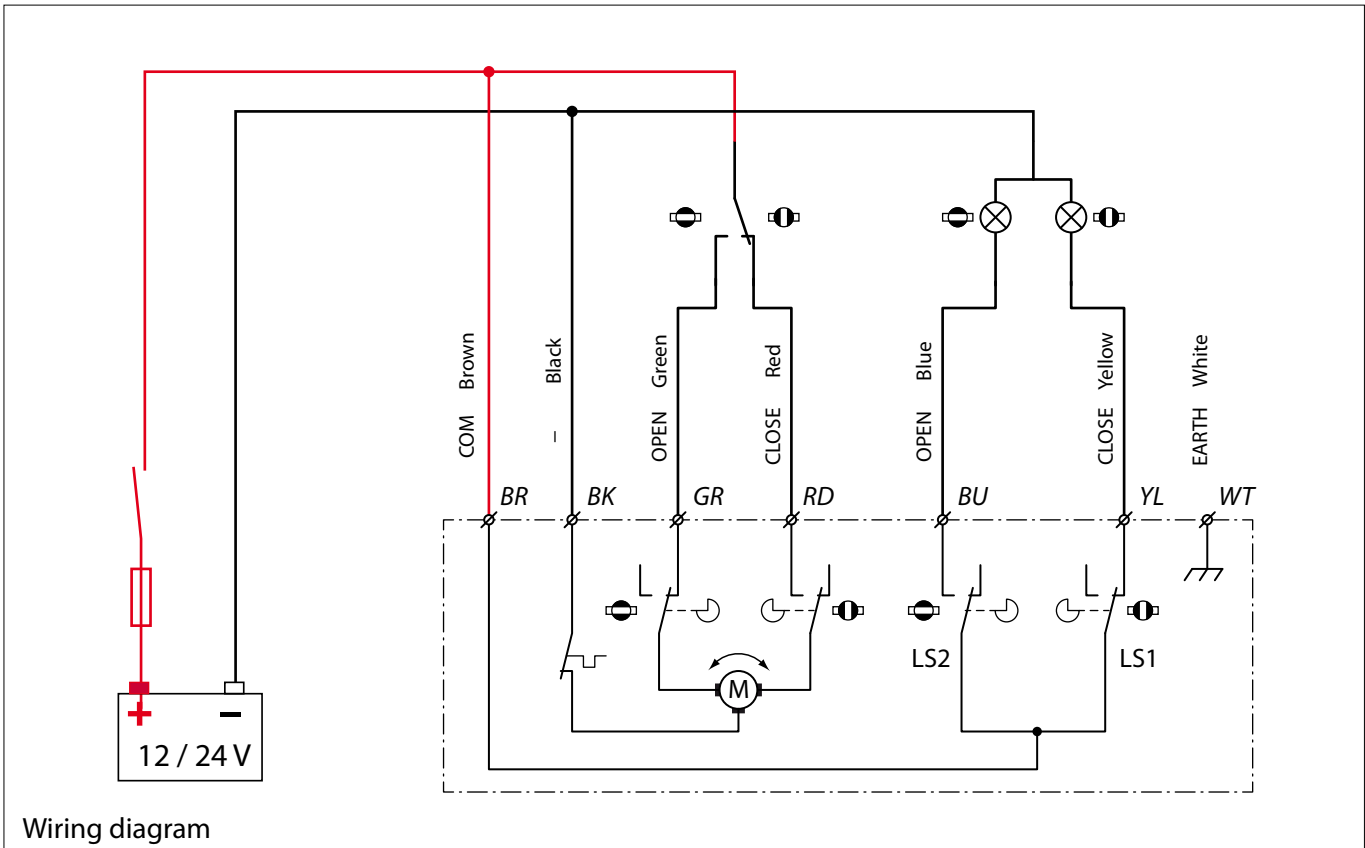
Classification : Non



Overall dimensions



		G ISO 228	DN	H1	H2	L	Weight	
MV12A1/2	MV24A1/2/2	1/2"	15	22.5 (7/8")	42 (1 5/8")	72 (2 13/16")	2.2 kgs	(4.9 lbs)
MV12A3/4	MV24A3/4	3/4"	20	22.5 (7/8")	48 (1 7/8")	80 (3 1/8")	2.4 kgs	(5.3 lbs)
MV12A1	MV24A1	1"	25	30 (1 3/16")	55 (2 3/16")	85 (3 3/8")	2.8 kgs	(6.2 lbs)
MV12A11/4	MV24A11/4	1 1/4"	32	36.5 (1 7/16")	60 (2 3/8")	105 (4 1/8")	3.4 kgs	(7.5 lbs)
MV12A11/2	MV24A11/2	1 1/2"	38	40 (1 9/16")	70 (2 3/4")	113 (4 7/16")	4.2 kgs	(9.3 lbs)
MV24B2		2"	50	46.5 (1 13/16")	85 (3 3/8")	132 (5 3/16")	7.8 kgs	(17.2 lbs)



Wiring diagram