

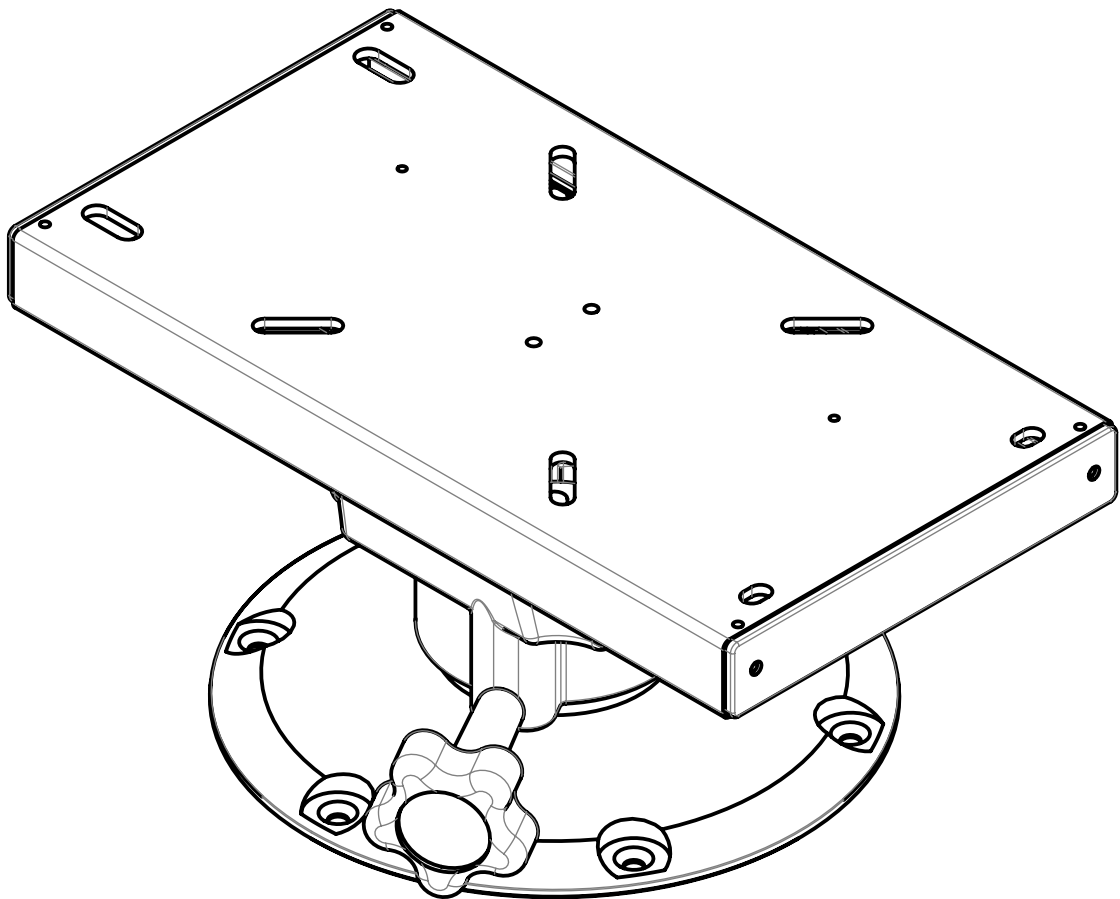
Base with swivel and slide

MAIN PRODUCT MATERIALS:

- LOW PROFILE BASE MADE OF HIGH GRADE ANODISED ALUMINIUM
- SYNTHETIC END CAPS, KNOB(S) AND HANDLE(S)

MAIN SPECIFICATIONS:

- 360 DEG. ROTATABLE SWIVEL/SLIDE
- SLIDE TRAVELS THROUGH 127 mm IN TOTAL AND LOCKABLE IN 1 OF 7 POSITIONS



Base with swivel and slide

