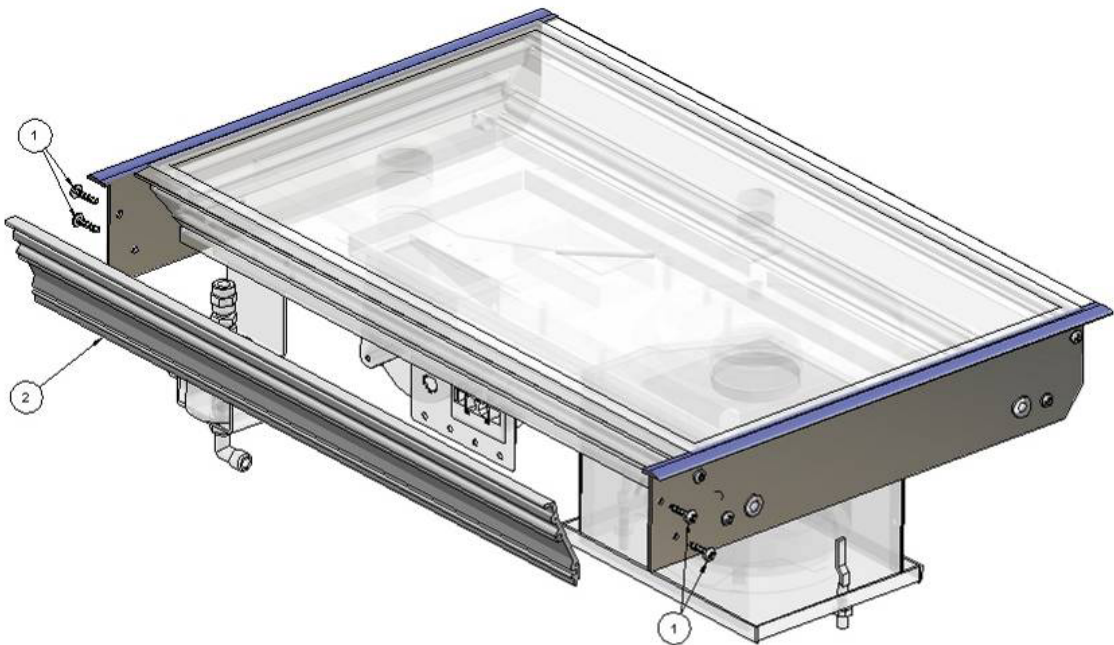


## Quick installation instructions for blower lid 270

### 270 & 85DU:

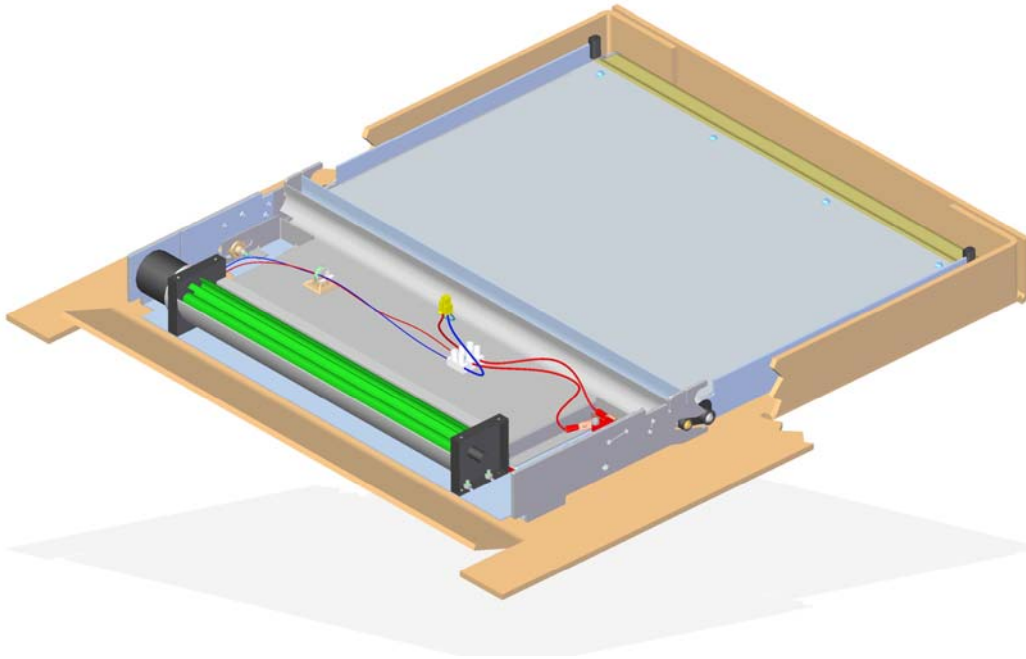
#### Step 1: Remove unnecessary parts..

- Remove four screws [1]
- Remove the back plate [2].
- Save or discard items, these are not used with the 270 blower lid.

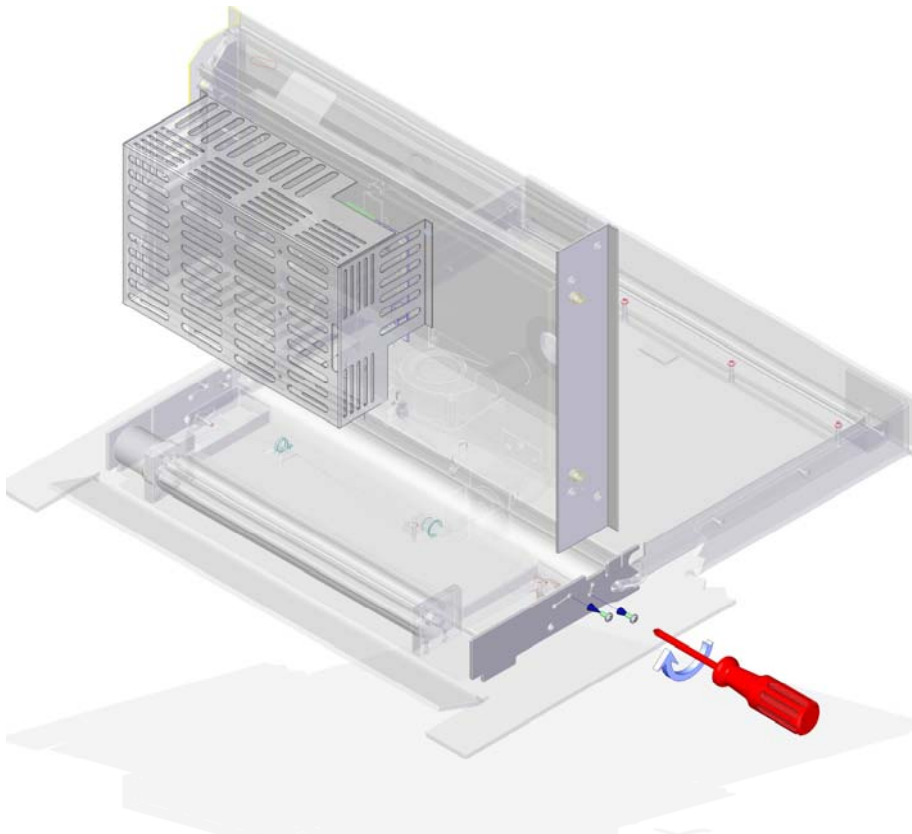


**Step 2: Installation of 270 blower unit:**

- Unpack the blower unit.
- Break the packaging box as in picture below.



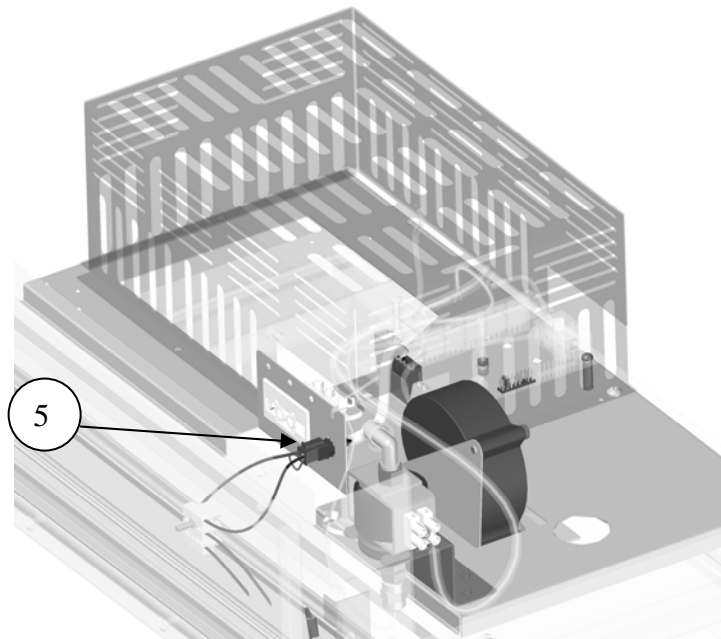
- Place the 85DU onto the blower unit as shown in picture below.
- Install and tighten M4x8 screws (4pcs) (supplied with blower unit).



**Connect the cable between 85DU and 270:**

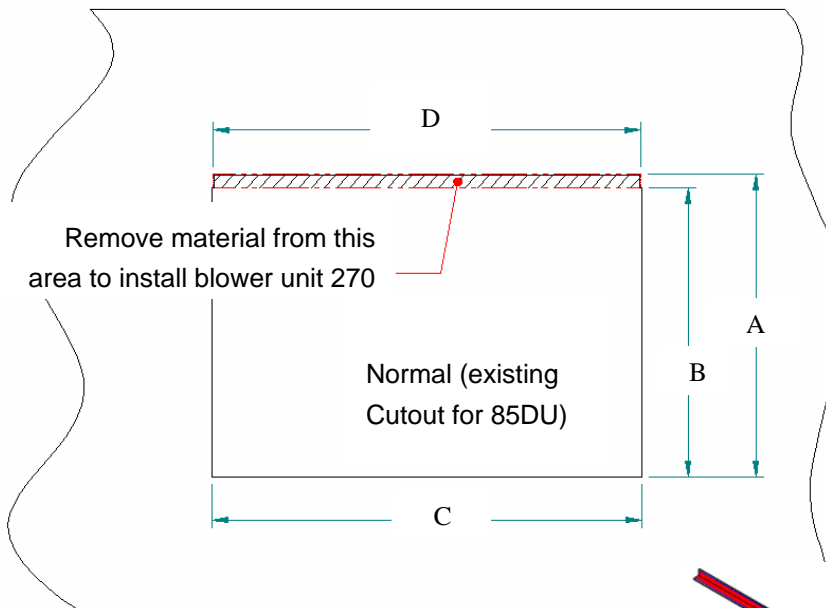
- Remove jumper and connect the blower cable [5] to the terminal

**Please assure that the cable and fuel tube will not contact the tangential blower or exhaust pipe. Insulate either the fuel tube or exhaust pipe if needed.**



**Step 3: Final installation:**

**CUTOUT dimensions for Blower lid 270 with 85DU:**



Target	Inch	mm
A	12 5/32	309
B	11 9/16	294
C	17 12/32	441
D	16 31/32	431

Glue L-corner strip edge of the cutout (side "D").

