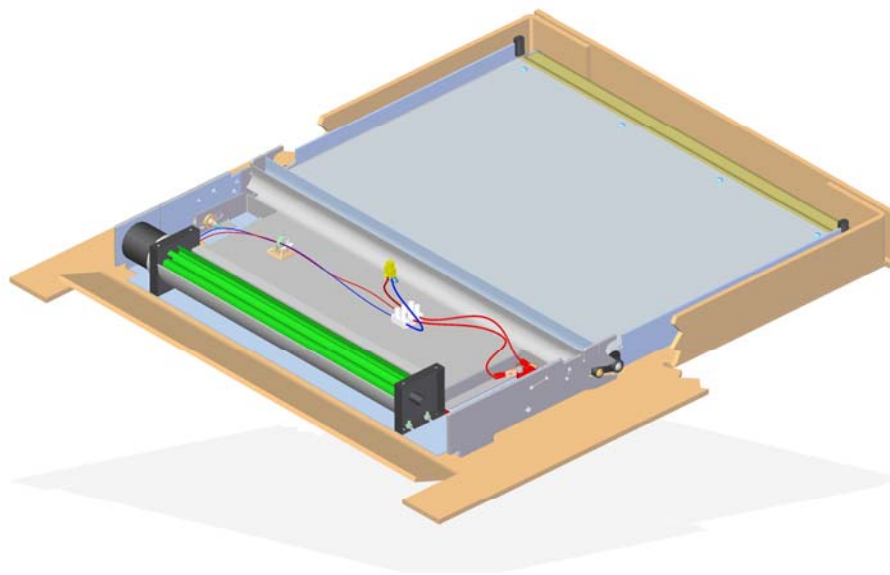


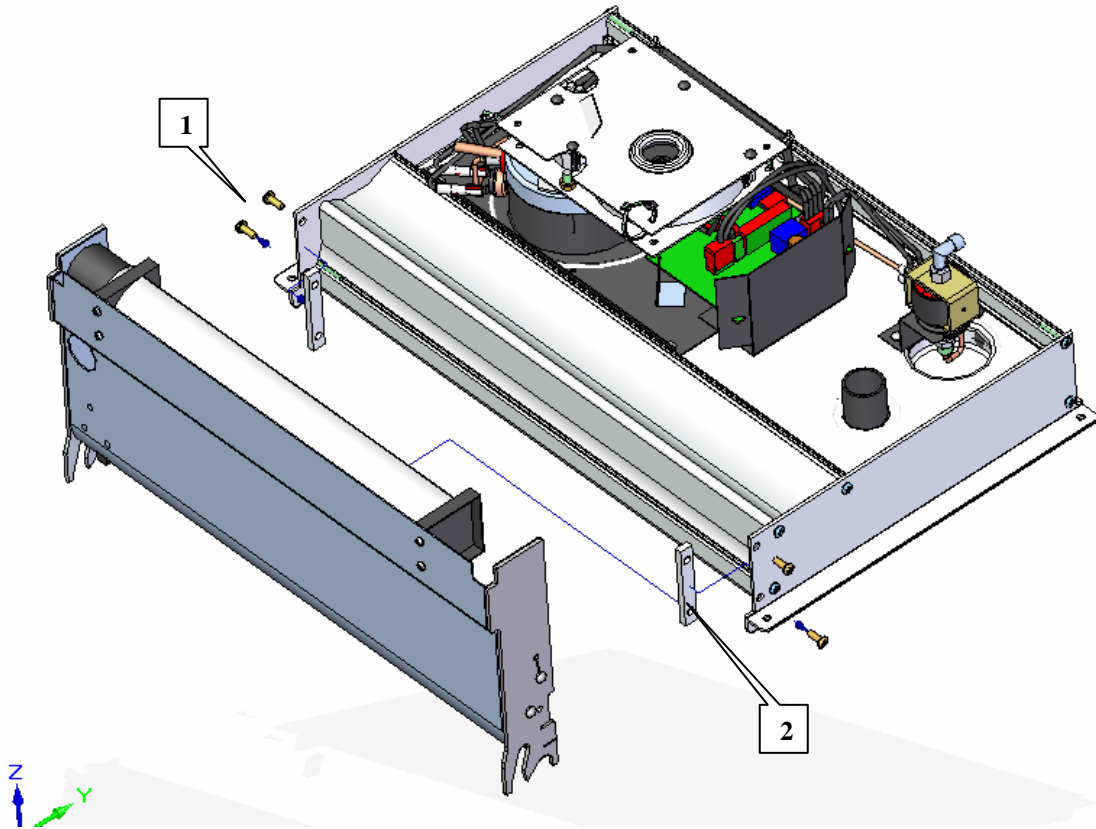
## Quick installation instructions for blower lid 270 / from serial number 01126

**270 & 90:**

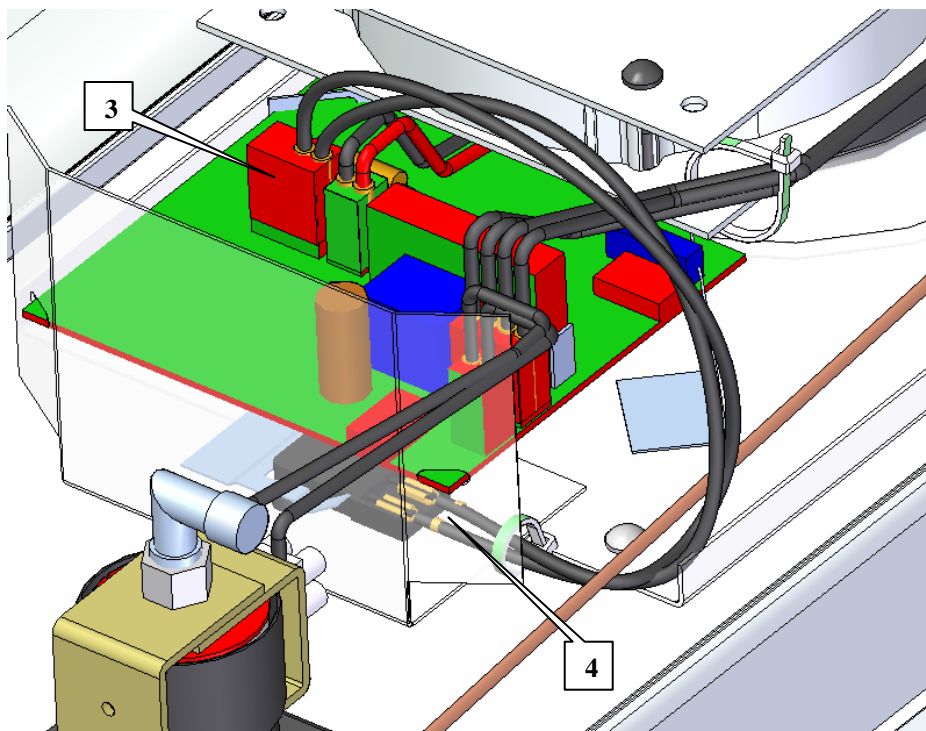


## Blower lid assembly

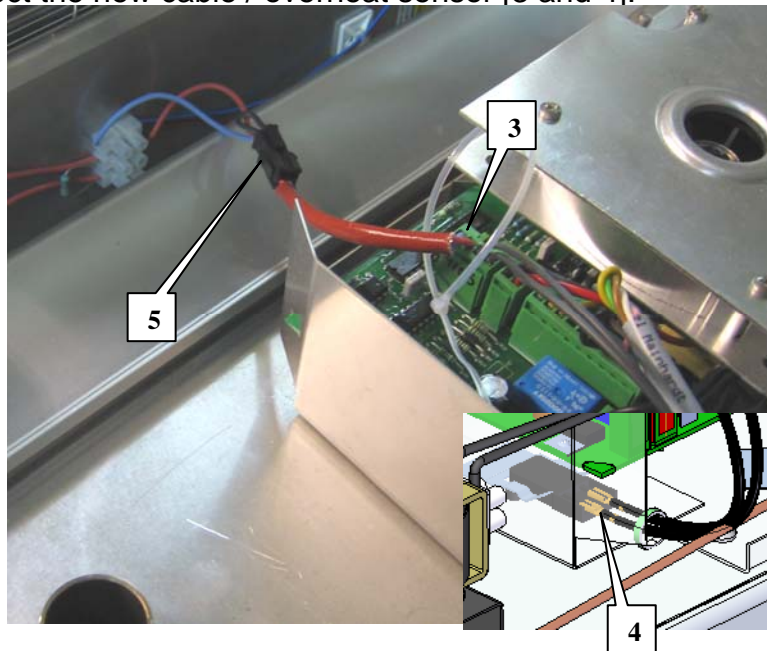
- Put the blower unit to its place and tighten M4x14 screws [1]. Use extension blocks [2] with 90.



- Remove the old overheat sensor cable / connector [3 and 4].



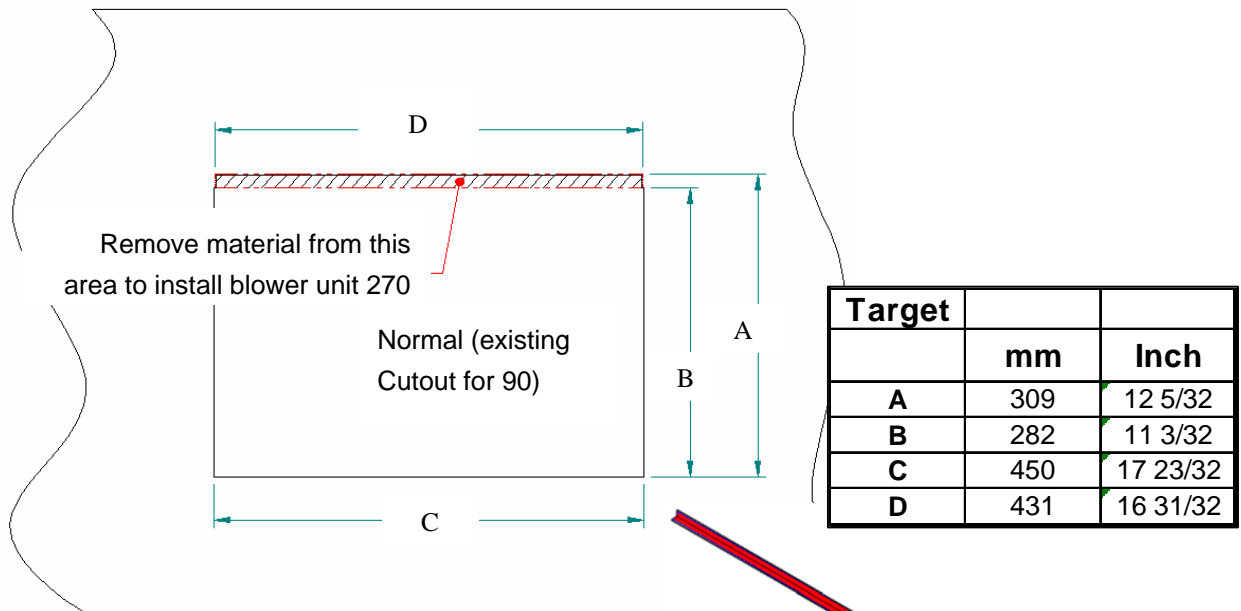
- Connect the new cable / overheat sensor [3 and 4].



- Connect the new cable to blower lid connector [5].
- Please assure that the cable will not reach the tangential blower.

**Final installation:**

**CUTOUT dimensions for Blower lid 270 with 90:**



Glue L-corner strip edge of the cutout (side "D").the tangential blower.