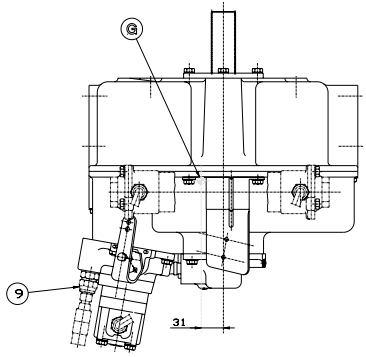
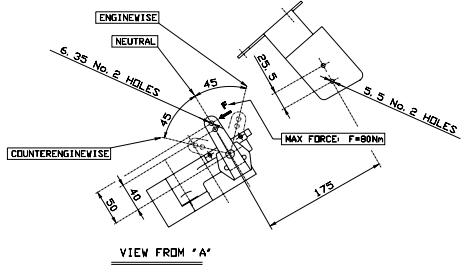


FOR INFORMATION ONLY: THIS DRAWING IS NOT TO BE USED FOR FABRICATING PARTS. THE FABRICATOR SHALL BE RESPONSIBLE FOR THE DESIGN OF THE PARTS AND THE MATERIALS TO BE USED. THE FABRICATOR SHALL BE RESPONSIBLE FOR THE QUALITY OF THE PARTS AND THE MATERIALS TO BE USED. THE FABRICATOR SHALL BE RESPONSIBLE FOR THE QUALITY OF THE PARTS AND THE MATERIALS TO BE USED.



GEARBOX INSTALLATION DATA		
MASS OF MARINE GEAR BASIC DESIGN WITHOUT OIL	kg	50
OIL CAPACITY	dm <sup>3</sup>	214
OPERATING PRESSURE AT 1500 rpm	bar	2304
LUBRICATION PRESSURE	bar	6.31
MAX. INCLINATION DURING OPERATION - TRANSVERSE	deg	15
MAX. INCLINATION DURING OPERATION - LONGITUDINAL	deg	10
GEARBOX COOLING DESIGN DATA		
POWER LOSSES PERCENTAGE	%	3
OIL FLOW RATE AT 1500 rpm	dm <sup>3</sup>	3
MAX. OIL TEMPERATURE	°C	85
MIN. OPERATING OIL TEMPERATURE SUGGESTED	°C	40
MAX. OIL PRESSURE ALLOWABLE	bar	29

FOR GEARBOXES TYPE:  
ZF 220 A

OPTIONALS DRAWINGS	DRW. REF.
TROLLING VALVE - MECHANICAL	3205 600 840
HEAT EXCHANGER (STD VERSION)	3205 600 867
HEATING BRACKET	3205 600 845
FLEXIBLE COUPLING -Centa CP-25-30- SAE B/11.5"	3205 600 823
FLEXIBLE COUPLING -Centa CP-25-30- SAE C/11.5"	3205 600 816
FLEXIBLE COUPLING -Centa CP-25-30- SAE B/11.5" CAT.	3205 600 815
FLEXIBLE COUPLING -Wulfsberg E 2010- SAE B/11.5"	3205 600 817
FLEXIBLE COUPLING -Wulfsberg E 2010- SAE C/11.5"	3205 600 834
FLEXIBLE COUPLING -Wulfsberg E 2010- SAE B/11.5"	3205 600 835
FLEXIBLE COUPLING -Wulfsberg E 2010- SAE C/11.5" CAT.	3205 600 836

G CENTER OF GRAVITY	
10	OIL BREATHER
11	HEAT EXCHANGER
10	SELECTION VALVE LEVER
9	CONTROL VALVE INLET G 3/8" (connection thread as for)
8	OIL PUMP OUTLET TO HEAT EXCHANGER G 3/8" (connection thread as for)
7	OIL PUMP
6	HIGH PRESSURE GAUGE CONNECTION G 1/8" (connection thread as for)
5	OIL FILTER COVER
4	OIL TEMPERATURE GAUGE CONNECTION M16x1.5 (connection thread as for)
3	OIL BRAIN PLUG M16x1.5 (connection thread as for)
2	OUTPUT FLANGE
1	OIL SUPPLIER AND OIL FILLING
POS. NAME	

**ZF** **Dröten** 129 06. 96 L. ZUL. TAN SCALE 1:2.5  
 Drawing No. 3205 600 001  
 Date: \_\_\_\_\_ Name: \_\_\_\_\_  
 Description: \_\_\_\_\_  
**INSTALLATION DRAWING 3205 600 001**