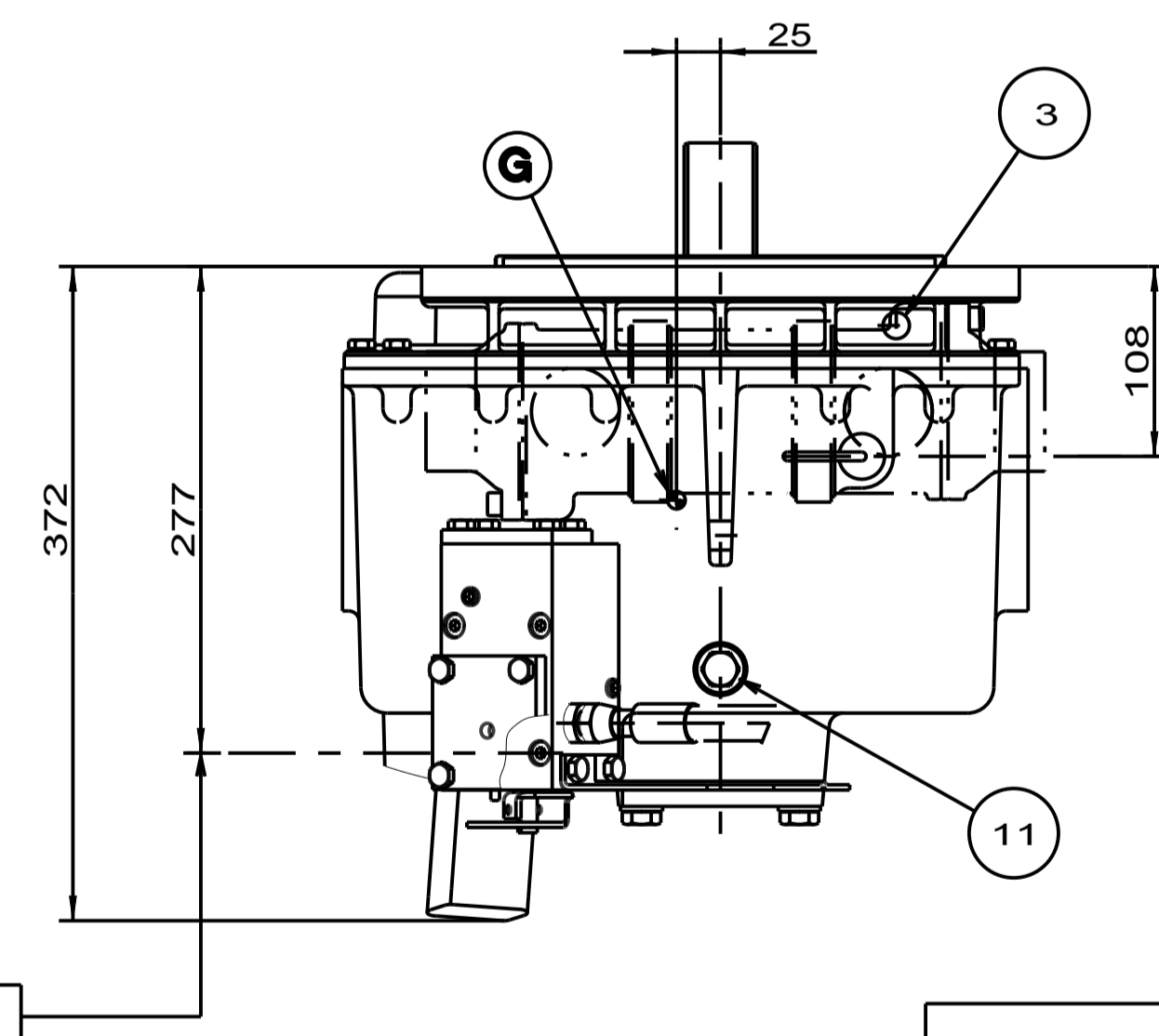
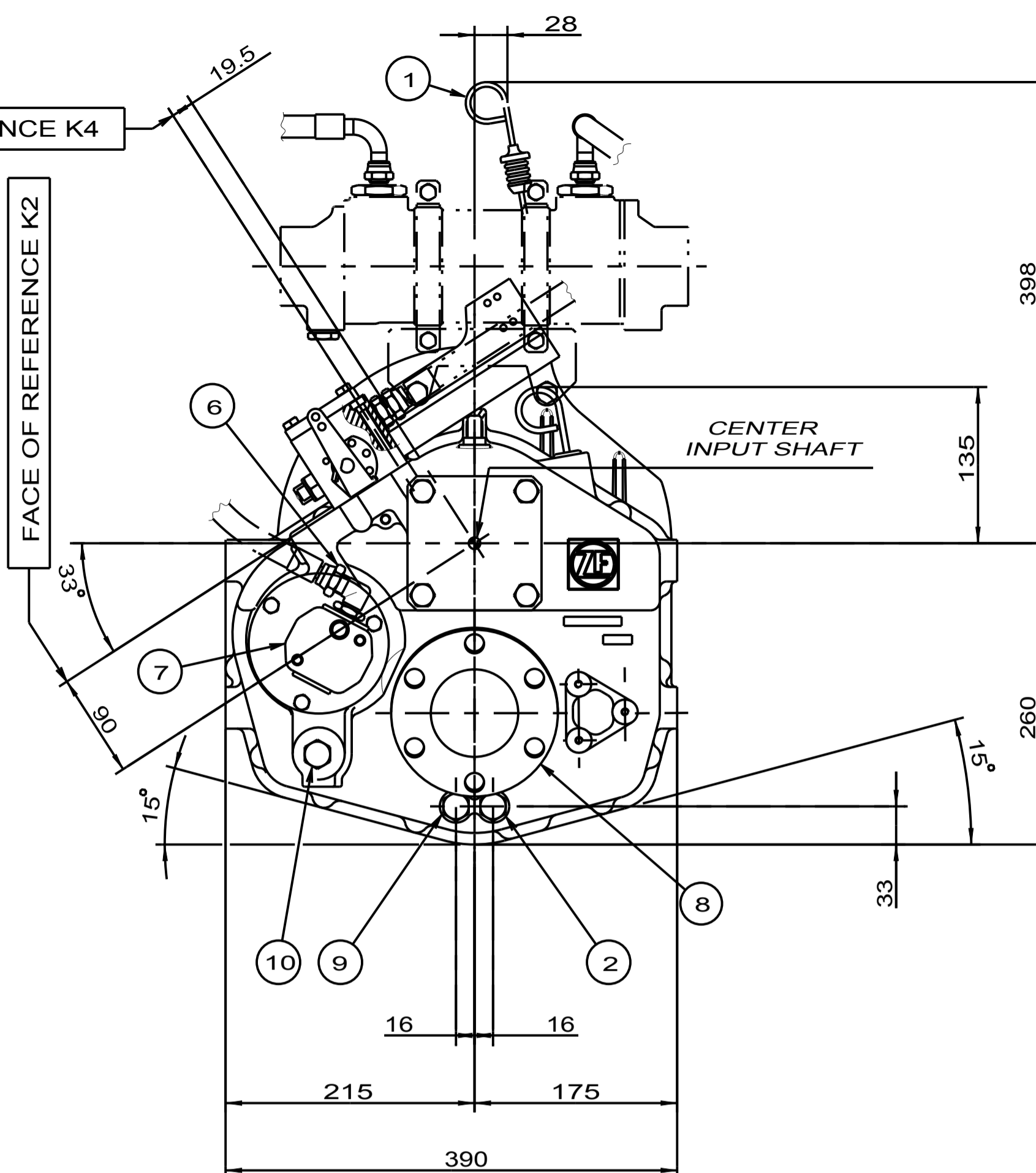
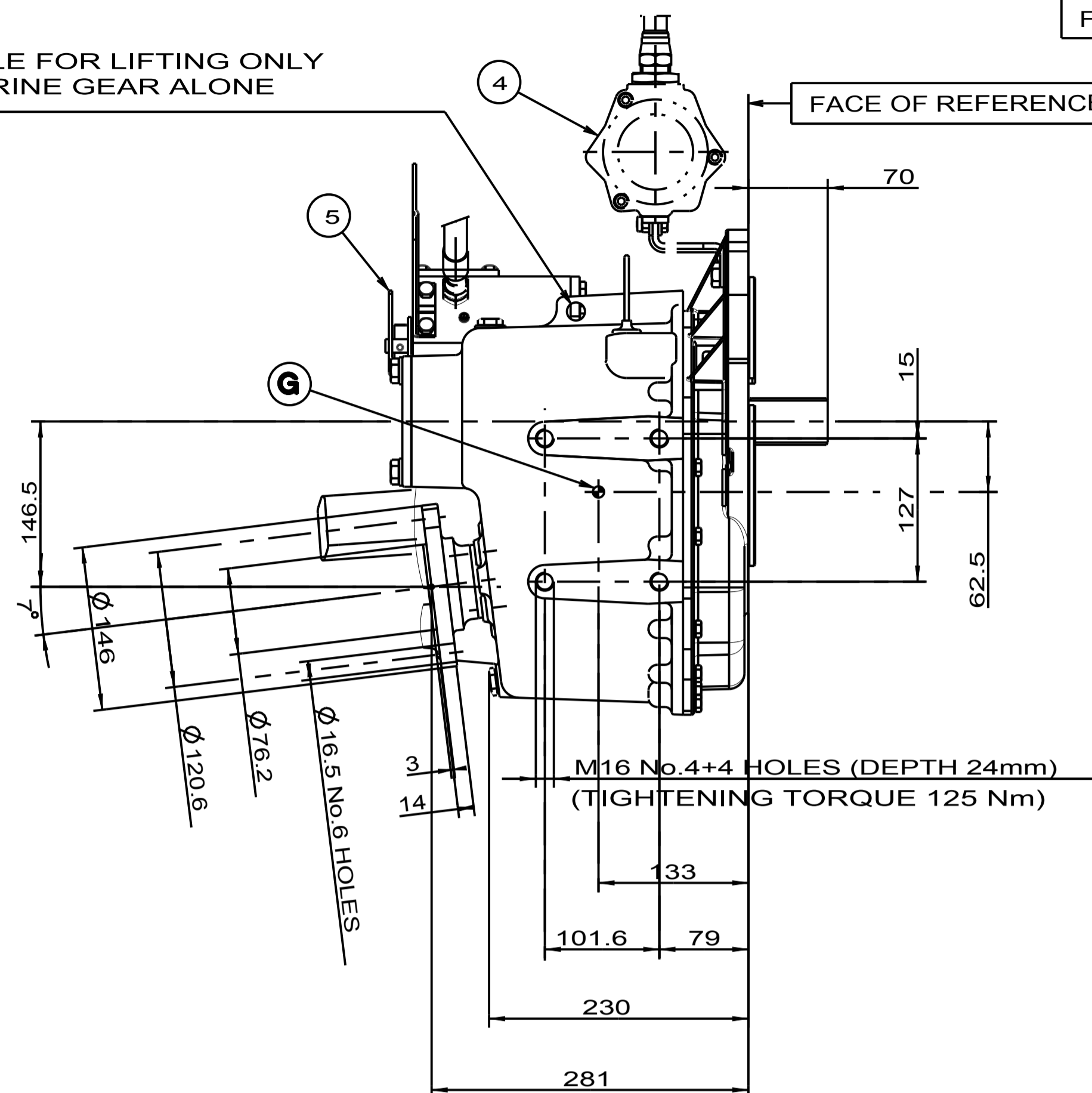


HOLE FOR LIFTING ONLY  
MARINE GEAR ALONE



GEARBOX INSTALLATION DATA		
MASS OF MARINE GEAR BASIC DESIGN WITHOUT OIL	kg	73
OIL CAPACITY	dml	3.3+4
OPERATING PRESSURE AT 1500 rpm	bar	23+24
LUBRICATION PRESSURE	bar	0.8+1.2
MAX. INCLINATION DURING OPERATION - TRANSVERSE -	deg	± 15°
MAX. INCLINATION DURING OPERATION - LONGITUDINAL -	deg	+25°-10°
GEARBOX COOLING DESIGN DATA		
POWER LOSSES PERCENTAGE	%	3
OIL FLOW RATE AT 1500 rpm	dml	12
MAX. OIL TEMPERATURE	°C	85
MIN. OPERATING OIL TEMPERATURE SUGESTED	°C	40
MAX. OIL PRESSURE ALLOWABLE	bar	25

FOR GEARBOXES TYPE:  
**ZF 280-1 A**

OPTIONALS DRAWINGS	DRW. REF.
POWER FLOW AND RATIOS	3207 700 014
DATA FOR TORSIONAL VIBRATION CALCULATION	3207 700 022
CONTROL VALVE - MECHANICAL - MB	3207 600 026
CONTROL VALVE - ELECTRICAL - EB	3207 600 033
TROLLING VALVE - MECHANICAL -	3217 600 030
TROLLING VALVE - ELECTRICAL -	3217 600 037
HEAT EXCHANGER	3215 600 075
LIVE PTO SAE J744 SIZE A	3207 600 024
LIVE PTO SAE J744 SIZE B	3207 600 025
MOUNTING BRACKETS	3207 600 010
FLEXIBLE COUPLING -Centa DS- SAE 2/11.5"	3207 600 021
FLEXIBLE COUPLING -Centa DS- SAE 3/11.5"	3207 600 022
FLEXIBLE COUPLING -Centa DS- SAE 3 CAT/11.5"	3207 600 023
FLEXIBLE COUPLING -Centa R- SAE 3 /11.5"	3207 600 048
FLEXIBLE COUPLING -Vulkardan E- SAE 2/11.5"	3207 600 016
FLEXIBLE COUPLING -Vulkardan E- SAE 3/11.5"	3207 600 017
FLEXIBLE COUPLING -Vulkardan E- SAE 3 CAT/11.5"	3207 600 018
FLEXIBLE COUPLING -Vulkan Torflex- SAE 1/14"	3207 600 041
FLEXIBLE COUPLING -Vulkan Torflex- SAE 2/11.5"	3207 600 037
FLEXIBLE COUPLING -Vulkan Torflex- SAE 3/11.5"	3207 600 036
FLEXIBLE COUPLING -Vulkan Torflex- SAE 3 CAT/11.5"	3207 600 035

POS	NAME	Modif.	Descr.
11	OIL FILLING PLUG M22x1.5	(TIGHTENING TORQUE 60 Nm)	
10	OIL FILTER COVER		
9	OIL DRAIN PLUG M16X1.5	(TIGHTENING TORQUE 35 Nm)	
8	OUTPUT FLANGE		
7	OIL PUMP		
6	OIL PUMP OUTLET TO HEAT EXCHANGER M16X1.5	(TIGHTENING TORQUE 35 Nm)	
5	CONTROL VALVE		
4	HEAT EXCHANGER STD. "ZF"		
3	OIL BREATHER		
2	OIL TEMPERATURE GAUGE CONNECTION M16X1.5	(TIGHTENING TORQUE 35Nm)	
1	OIL DIPSTICK		

Drawn	10.11.00	MAITEK	SCALE	c	25008	20.01.05	COCCIA
Checked	10.11.00	PINATO	1:4	b	24036	13.07.04	FORNOLI
Mngr.	10.11.00	PASETTO		1	21018	27.03.01	FORNOLI

Date	Name	Ind	Qty	Mod.No.	Date	Name

Technical Information	Assembly Drw. N°	UNI
<b>SEE TABLE</b>	Old MPM Drw. N°	<b>A1</b>
Description	ZF Drawing No.	Sheet
<b>INSTALLATION DRAWING</b>	<b>3207 601 005</b>	<b>1 of 1</b>

Modif. Descr.

c OUTPUT FLANGES EXTERNAL DIAMETER RECTIFIED. GRAPHIC UPDATED  
b ADJUSTED OPTIONAL DRAWINGS TABLE  
t ADJUSTED GEARBOX NAME WAS ZF 280 A-1