

wallas®
NEW

76 D

3.0 kW | Convection

New Wallas convection oven cooks faster with an enhanced air circulation. The highly precise thermostat maintains the cooking temperature accurately and enables you to prepare the meals you've always wanted.



Wallas 76 D boasts new modern design and comes with a gimbal option as a standard. The new 3009 Advanced Control panel makes it easy to operate with all relevant information visible on the digital panel. Diesel convection oven is for boaters who want to have the same quality of life off-shore as at home.

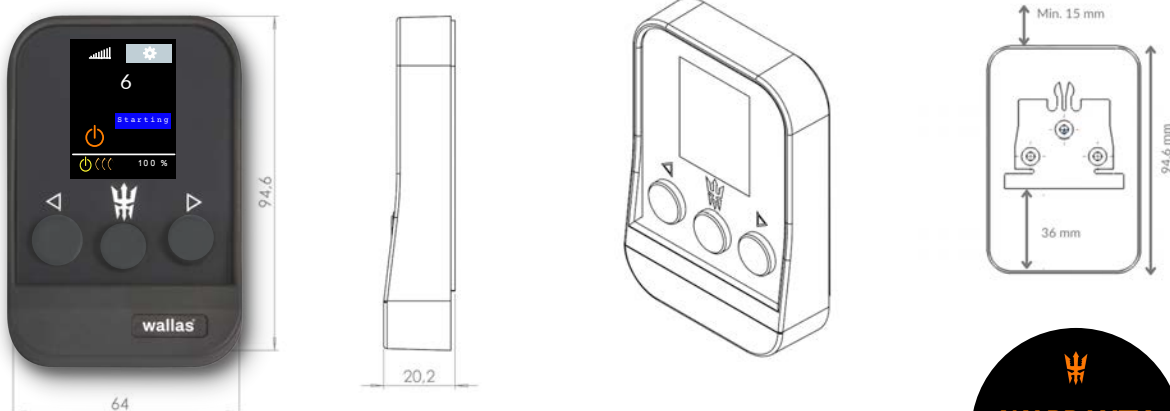
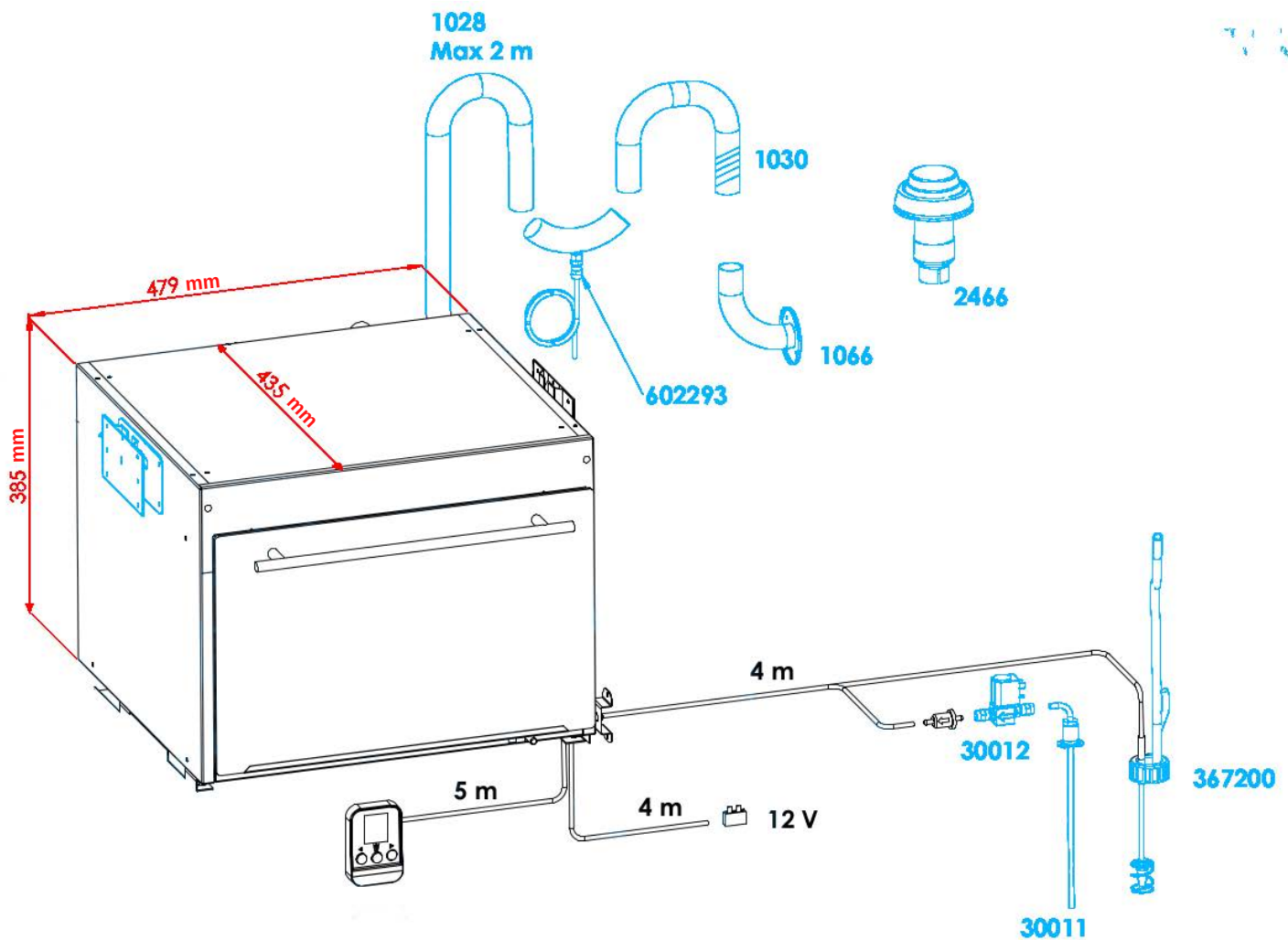
SPECIFICATIONS

Power:	1000 - 3000 W / 3,400 - 10,200 BTU
Fuel:	Diesel, HVO renewable diesel
Operating Voltage:	12 V DC
Fuel Consumption:	0,1-0,3 l/h / 3.4-10.14 oz/h
Electricity Consumption:	0,8-1,9 A
Dimensions:	L 479 mm / 18 7/8" W 435 mm / 17 1/8" H 385 mm / 15 3/16"
Weight:	24,5 kg / 54 lbs.
Recommended Use:	Boats, cottages, camper vans (retrofitted)



76 D

3.0 kW | Oven



Accessories in black come with the standard package. Accessories in blue are additional/optional. The calculated values are measured in a reference measurement wall, which is constructed to represent a typical boat installation. The figures allow for 10 % reserve - yours may vary.

All rights reserved. Wallas-Marin reserves the right to change or improve its products and to make changes in the content of this catalogue without obligation to notify any person or organization of such changes or improvements. Go to www.wallas.com for current updates and supplemental information concerning these products.



wallas.com