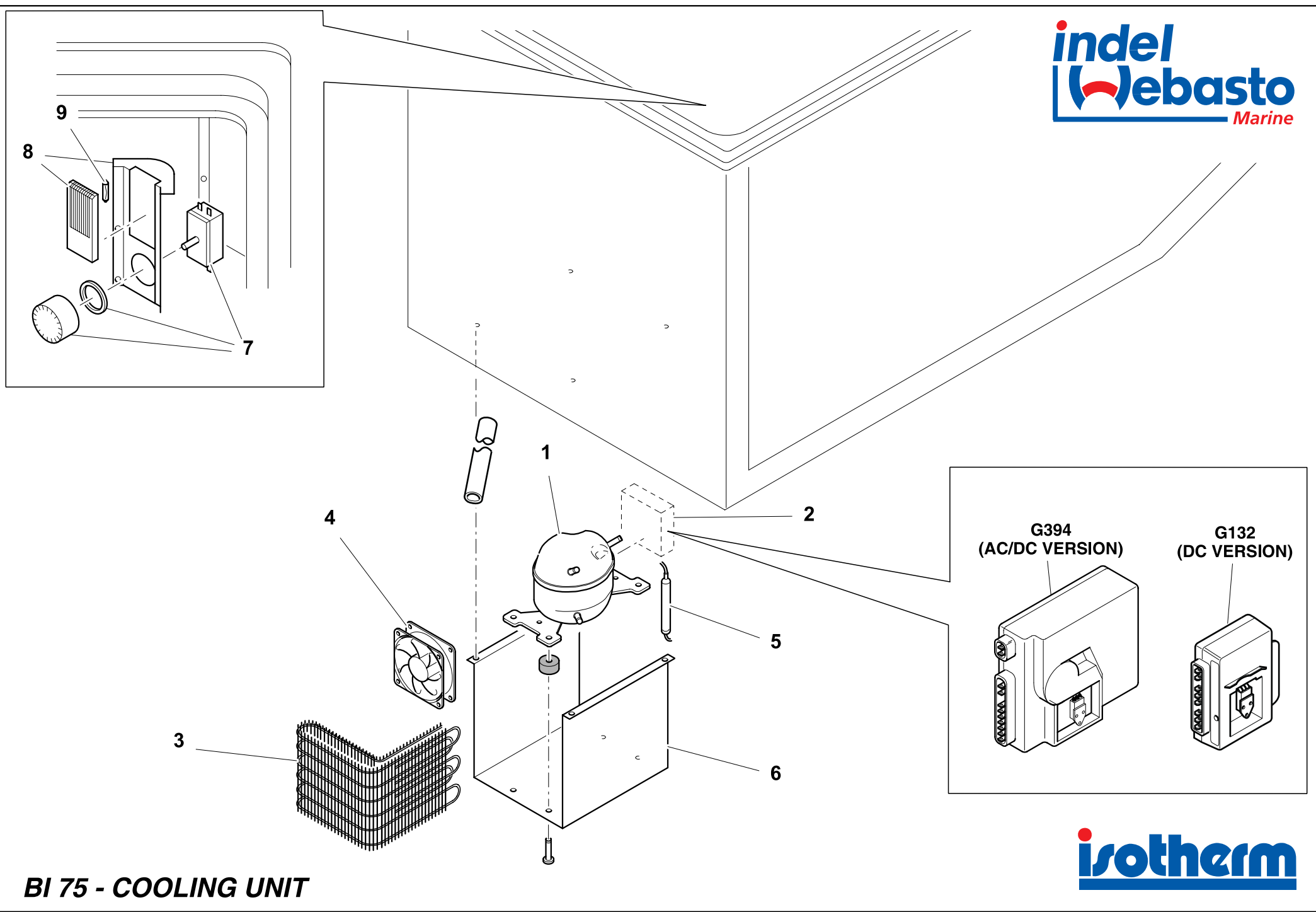


BI 75 - CABINET



BI 75 - COOLING UNIT

NUMERO	CODICE ARTICOLO	DESCRIZIONE ARTICOLO
NUMBER	ITEM CODE	ITEM DESCRIPTION

1	SBA00002DA	COMPRESSORE DANFOSS BD35F DANFOSS COMPRESSOR BD35F 12/24V NO ELECTRICAL UNIT
2	SEG00002DA	CENTRALINA DANFOSS BD35/50F 12/24V ELECTRICAL UNIT DANF. 101N0210 BD35/50F 12/24V
2	SEG00030GA	CENTRALINA DANFOSS BD35/50F AC/DC 12/24V DC 110/220V AC ELECT. UNIT DANFOSS BD35F/50FAC/DC 12/24V-115/230V
3	SBD00028AA	CONDENSATORE A FILO AIR CONDENSER PIN TYPE WITH BRACKET
4	SBG00005BA	VENTOLA CABLATA 12V LOW SPEED FAN 12V LOW SPEED FOR COMPACT AND CRUISE
5	SBD00073AA	FILTRO 10g PER CR FILTER 10Gr FOR R134a B041 TUBE 6+2mm (CRUISE/DANFOSS)
7	SEA00043DA	TERMOSTATO MECC. TB50/BI53/BI75/BI92 THERMOSTAT TB50/BI53/BI75/BI92 MECHANICAL
8	SEA00084AA	PORTATERMOSTATO PER BI53/75 + PLAFONIERA HOUSING FOR THERMOSTAT BI53/75 + BOX LIGHT
9	SEC00005CA	LAMPADA A SILURO 24V-3W LIGHT BULB 24V-3W
9	SEC00007BA	LAMPADA A SILURO 12V-3W LIGHT BULB 12V-3W
10	SGC00169AA	COPERCHIO GRANDE BI75 COMPLETO BIG LID BI75 COMPLETE
11	SGC00151AA	COPERCHIO PICCOLO BI53/75 COMPLETO SMALL LID FOR BI53/75 COMPLETE
12	SGC00142AA	GUARNIZIONE COPERCHIO GRANDE BI53/73 RUBBER GASKET FOR BIG LID BI53/73
13	SGC00143AA	GUARNIZIONE COPERCHIO PICCOLO BI53/73 RUBBER GASKET FOR SMALL LID BI53/73
14	SGC00037AA	CESTELLO BI 41/53/73/YZG BASKET FOR BI 41/53/73/YZG
15	SBE00096AA	BARRA SOST. COPERCHI BI53/73 LID KIT BI53/73
17	SBE00180AA	STAFFA INOX SOSTEGNO CESTELLO BI75 STIRRUP BASKET SUPPORT BI75