



BUKH V8

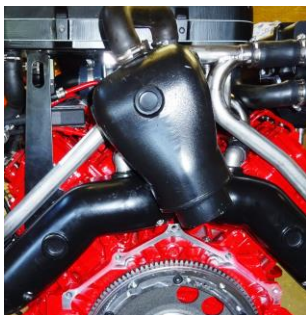
PARTS BOOK

BUKH V8 series engine

Dear customer

In this BUKH V8 Series Parts Book you will find components that your BUKH V8-engine consists of. We have listed a couple of tips that can aid you in finding the parts that you are looking for

1. In order to ensure that you get the correct parts that correspond to the date of production of your engine please make sure that you have your serial number at hand. We and our subcontractors are sometimes forced to make minor or major modifications to our product and therefore newer parts may not fit an older engine and vice versa.
2. In this BUKH V8 Parts Book, the column “Engine year” tell you what engine years the part is applicable to. For example: -12 tell you that this part will fit an engine that has up to engine year 2012. Look for the number 12 in the last 2 digits of its engine serial number.
3. BUKH V8 series engines, manufactured from august 20**18**, have serial numbers with engine year **18** in the serial number, example BBPS DK 00 **18** 1654.
For example: 12- tell you that this part will fit in a serial number BBPS DK 00 **18** 1654.



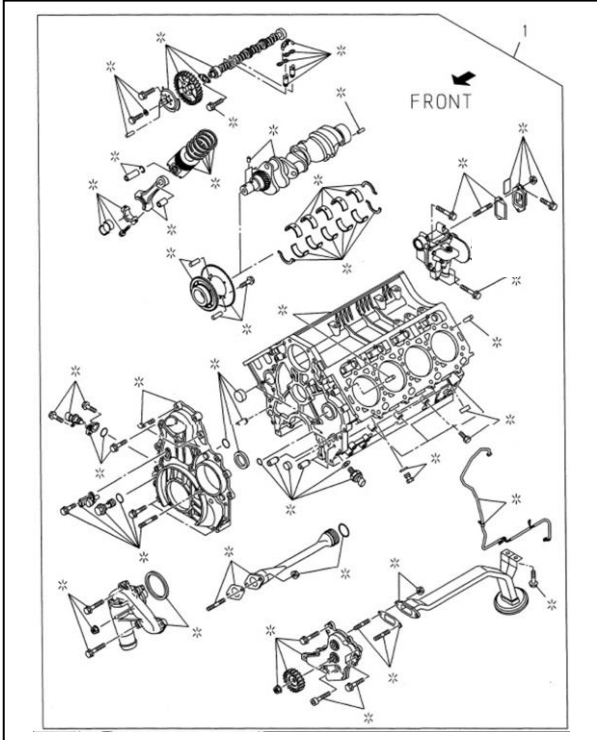
If you have any questions regarding this BUKH V8 Parts Book or if you have a problem in finding the information or parts necessary to keep your BUKH V8 engine running smoothly, please contact your local dealer or contact us at bukh@bukh.dk

Please find contact details at www.bukh.dk

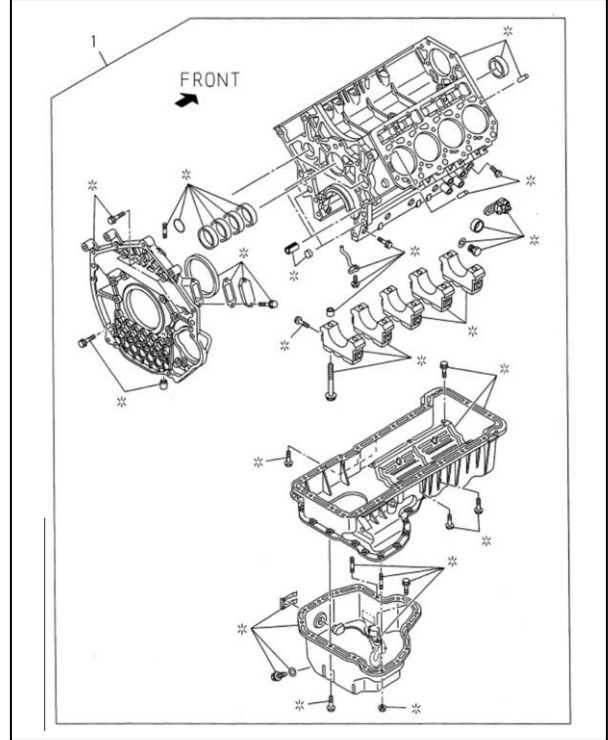


ILLUSTRATION INDEX

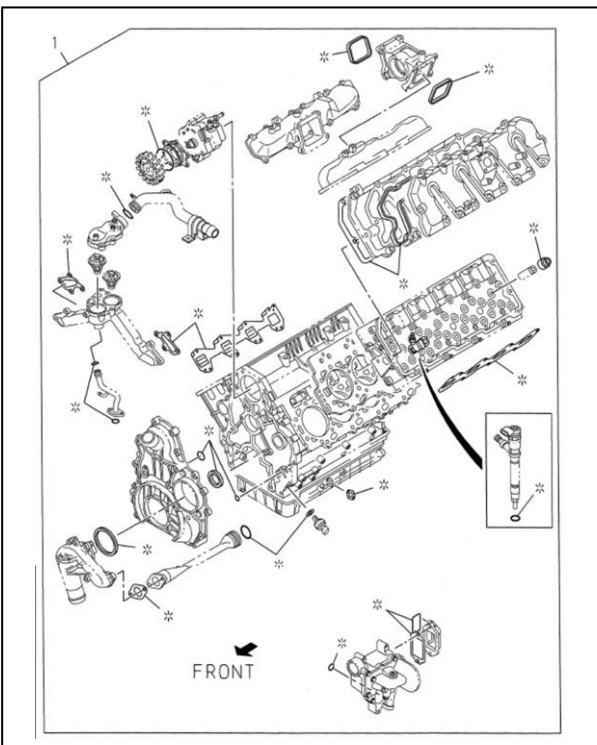
01 | PARTIAL ENGINE 1/2



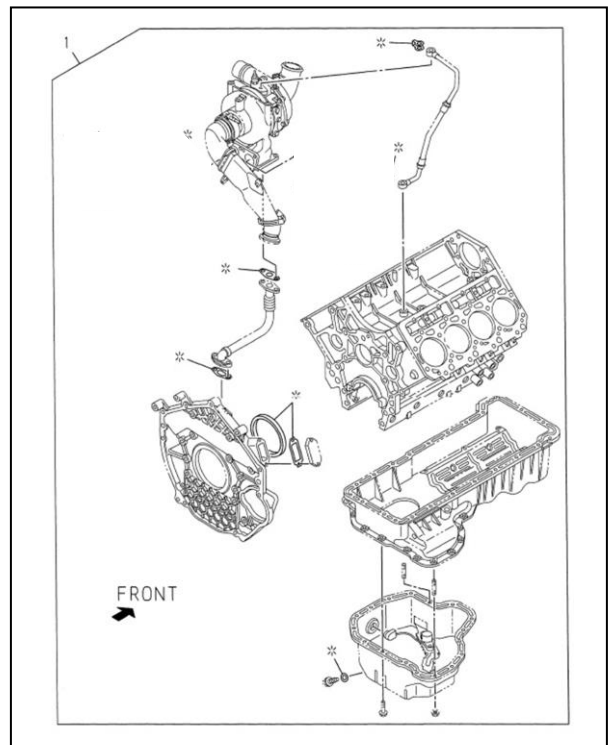
01 | PARTIAL ENGINE 2/2



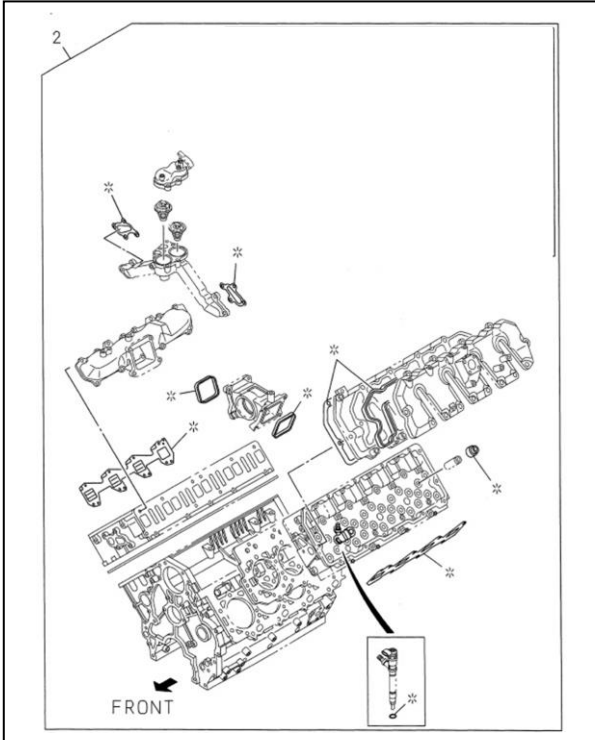
02 | ENGINE GASKET KIT 1/3



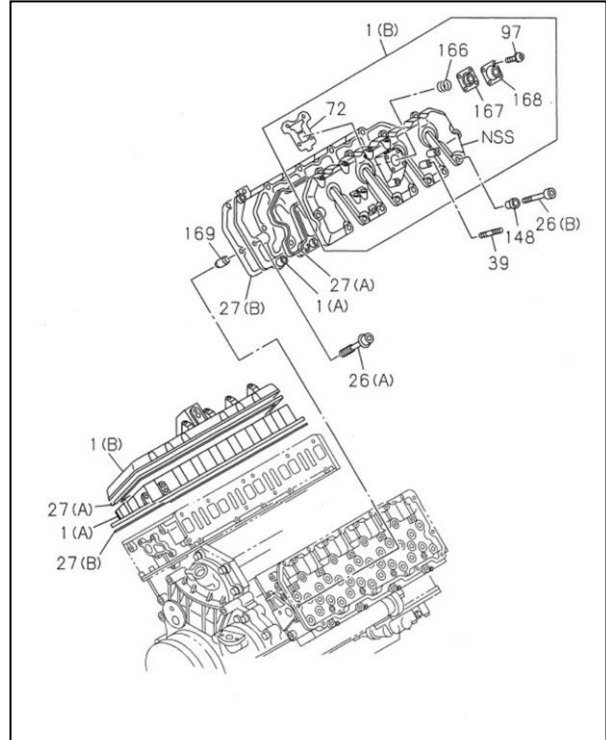
02 | ENGINE GASKET KIT 2/3



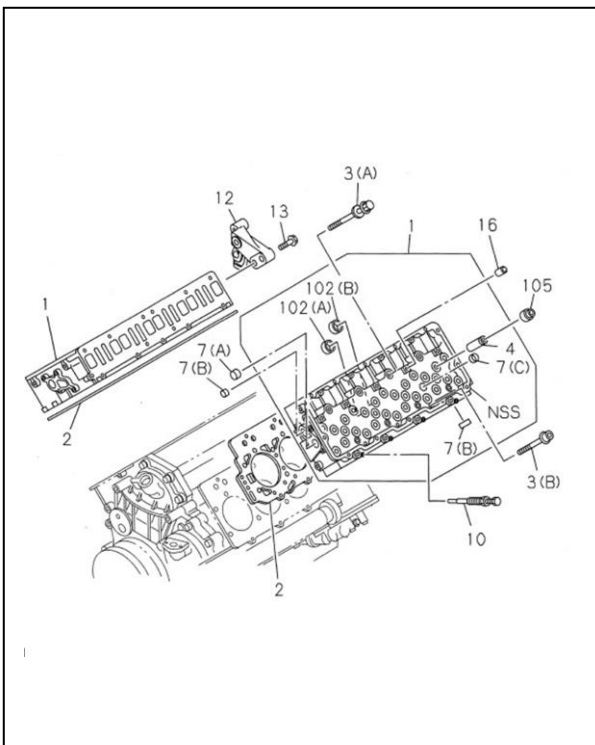
02 | ENGINE GASKET KIT 3/3



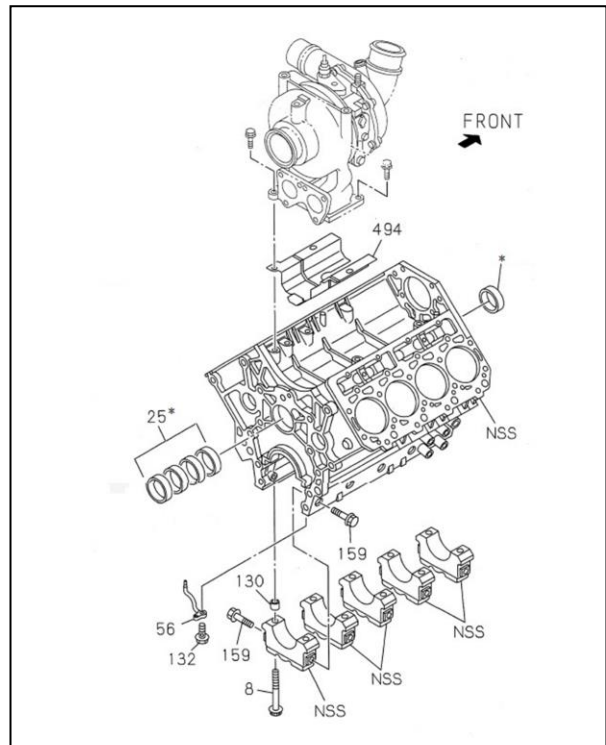
03 | CYLINDER HEAD COVER



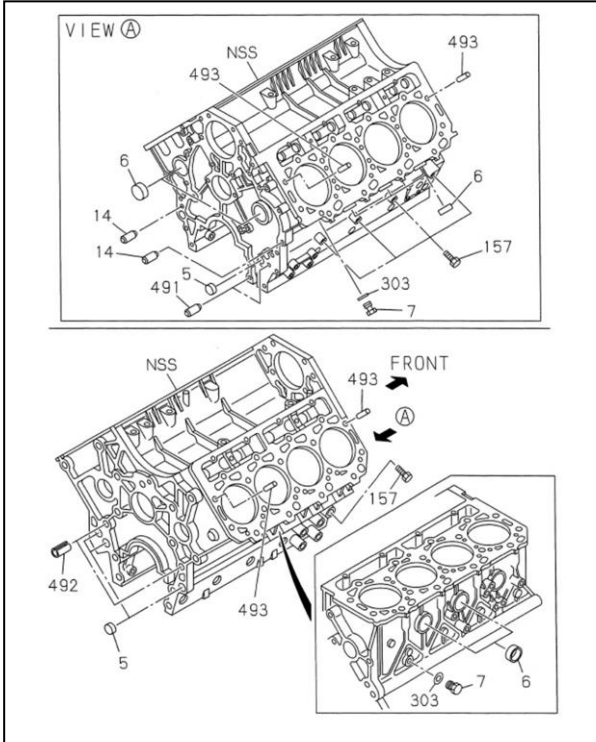
04 | CYLINDER HEAD



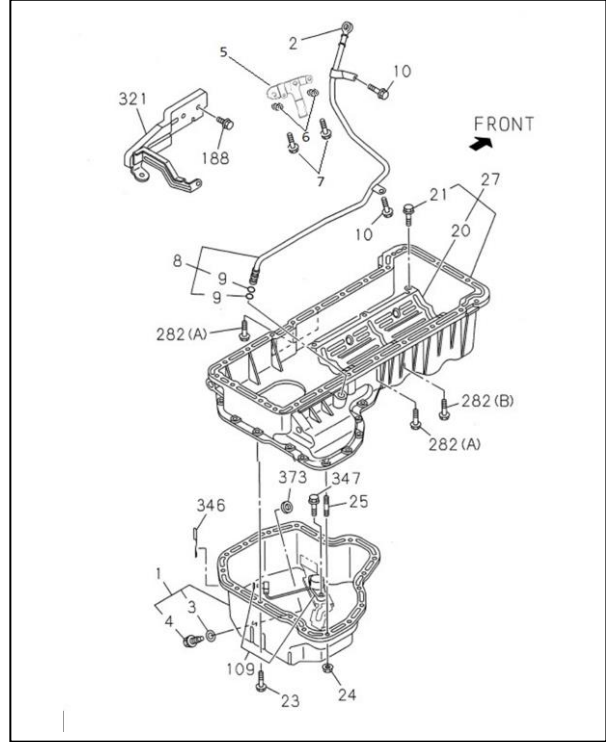
05 | CYLINDER BLOCK 1/2



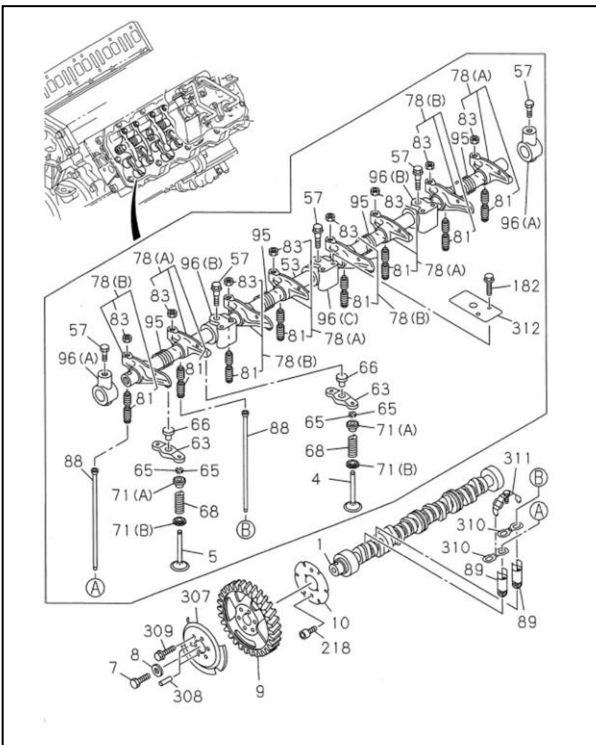
05 | CYLINDER BLOCK 2/2



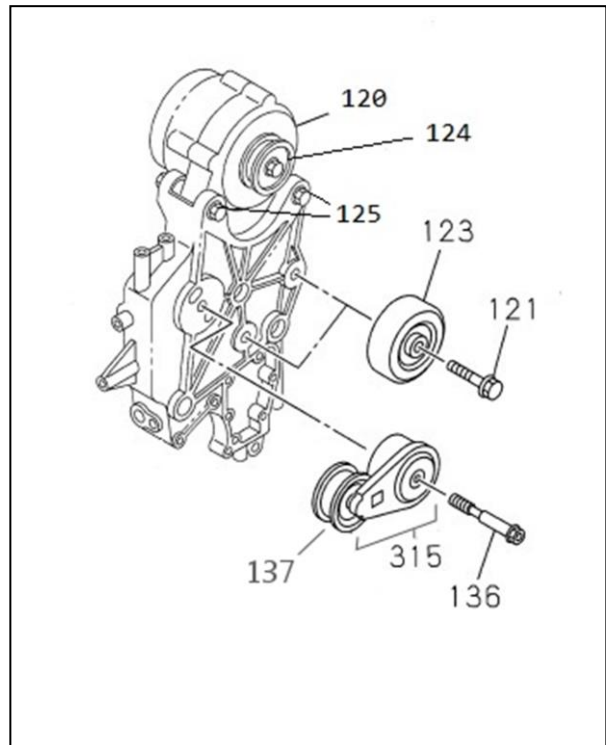
06 | OIL PAN AND LEVEL GAUGE



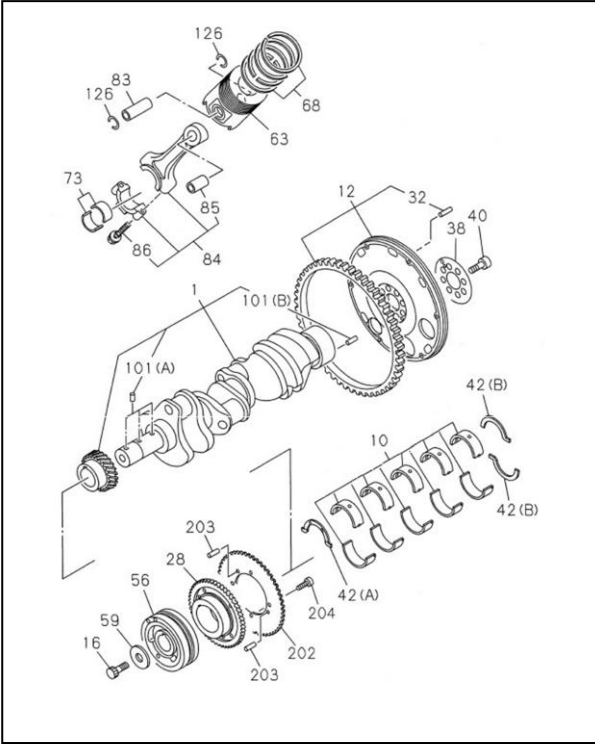
07 | CAMSHAFT AND VALVE



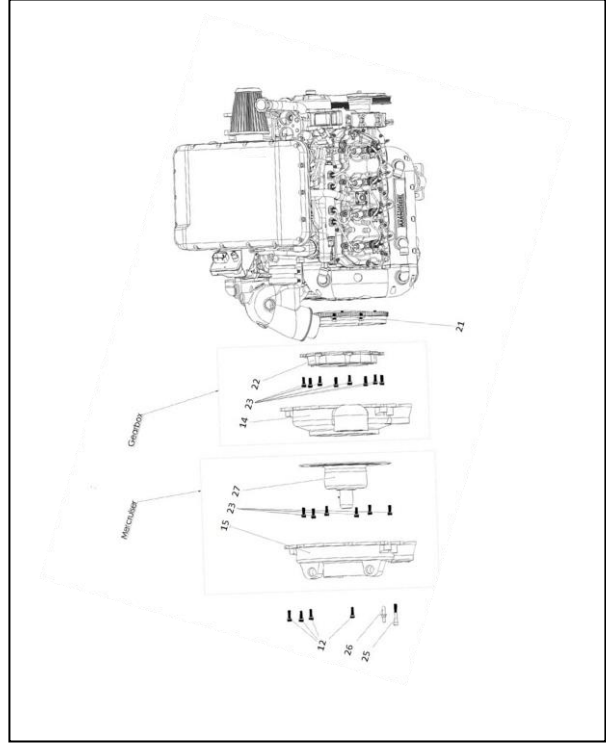
08 | ALTERNATOR, PULLEY AND TENSIONER



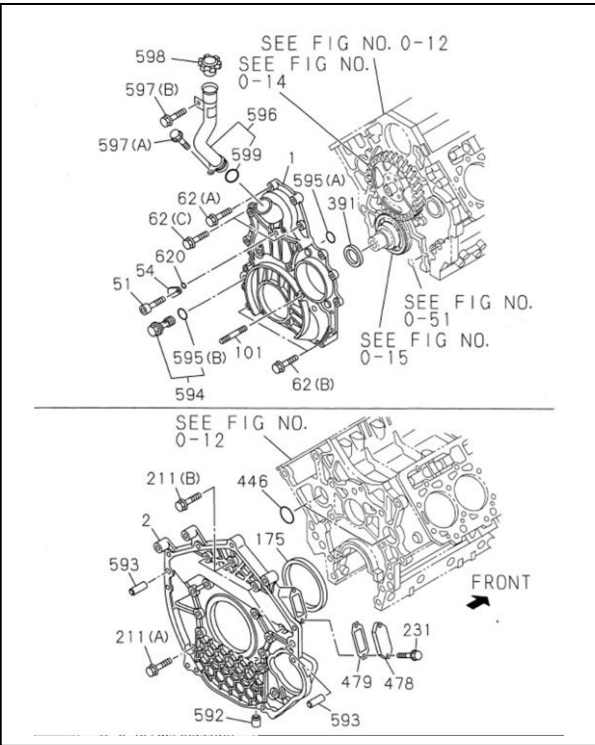
09 | CRANKSHAFT, PISTON & FLYWHEEL 1/2



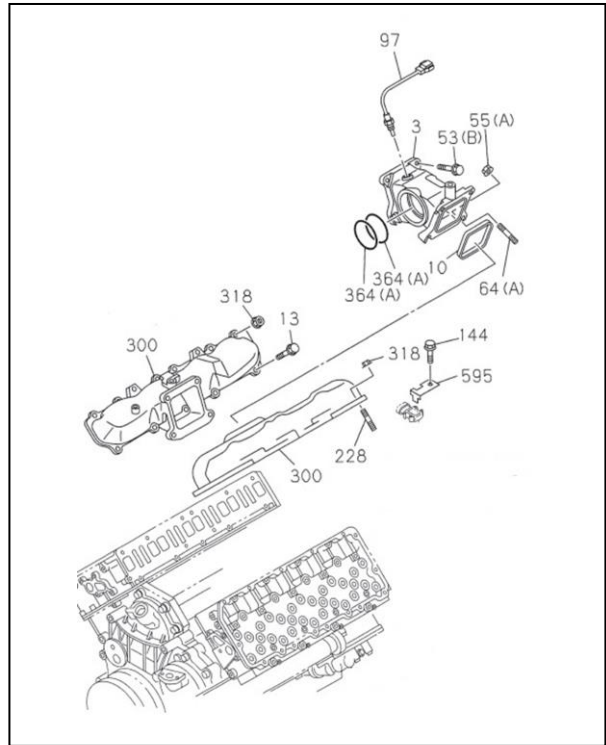
09 | CRANKSHAFT, PISTON & FLYWHEEL 2/2



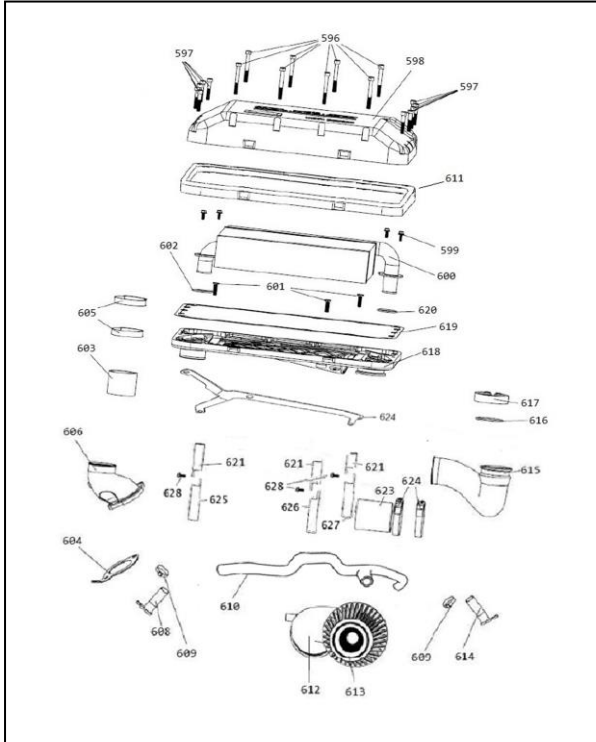
10 | TIMING GEAR CASE AND FLYWHEEL HOUSING



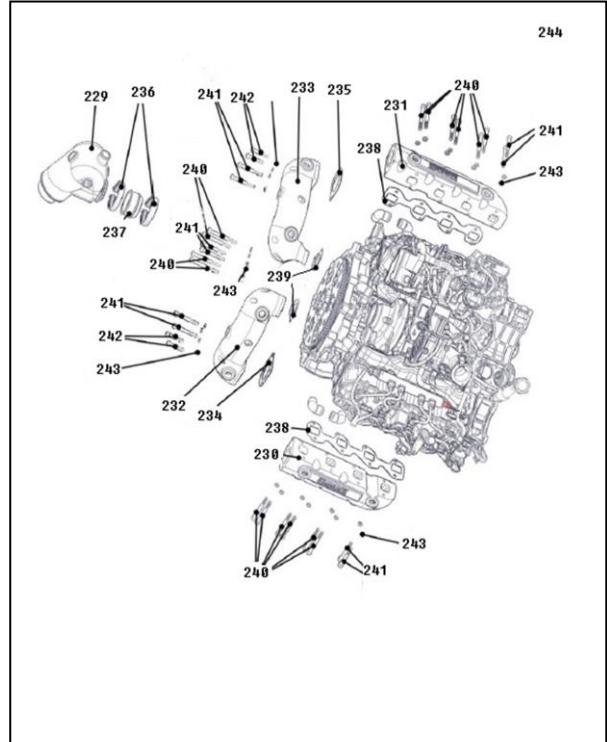
11 | INLET MANIFOLD 1/2



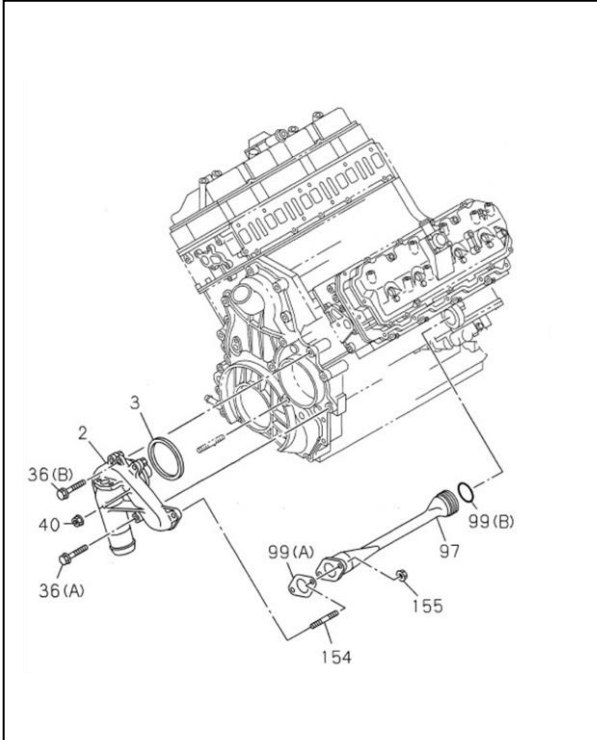
11 | INLET MANIFOLD 2/2



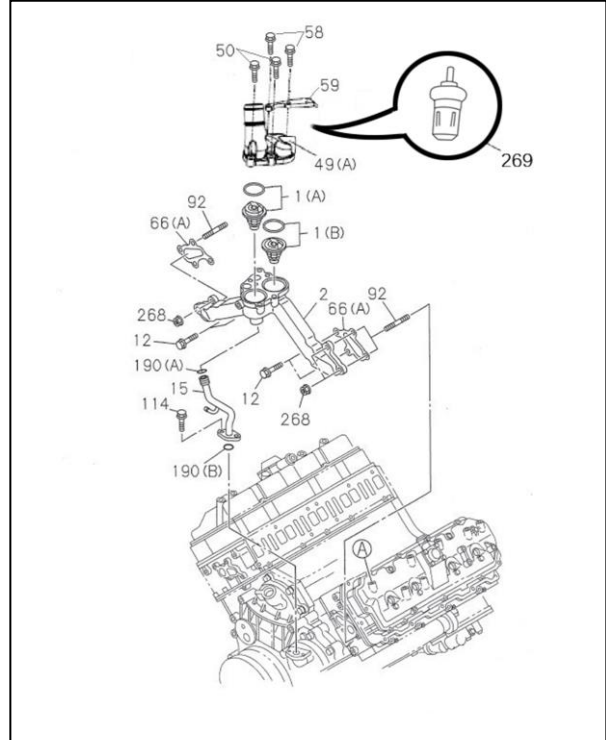
12 | EXHAUST MANIFOLD



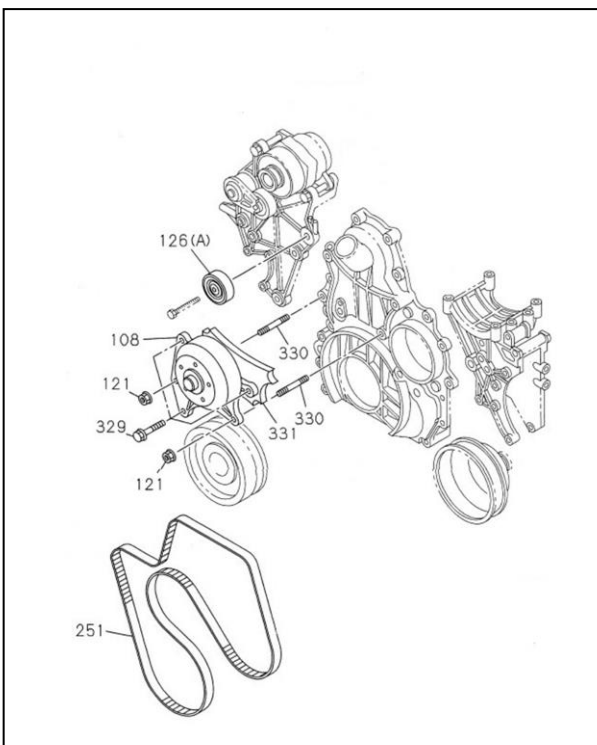
13 | WATER PUMP (CIRCULATING)



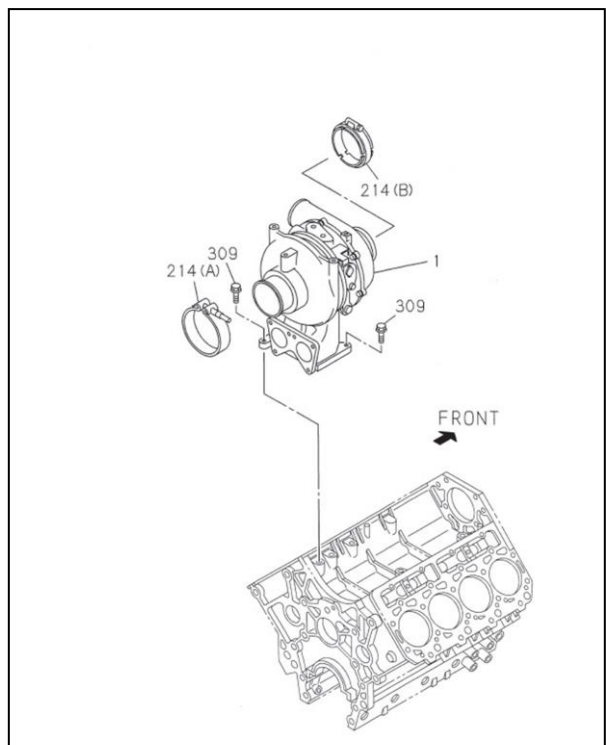
14 | THERMOSTAT AND HOUSING



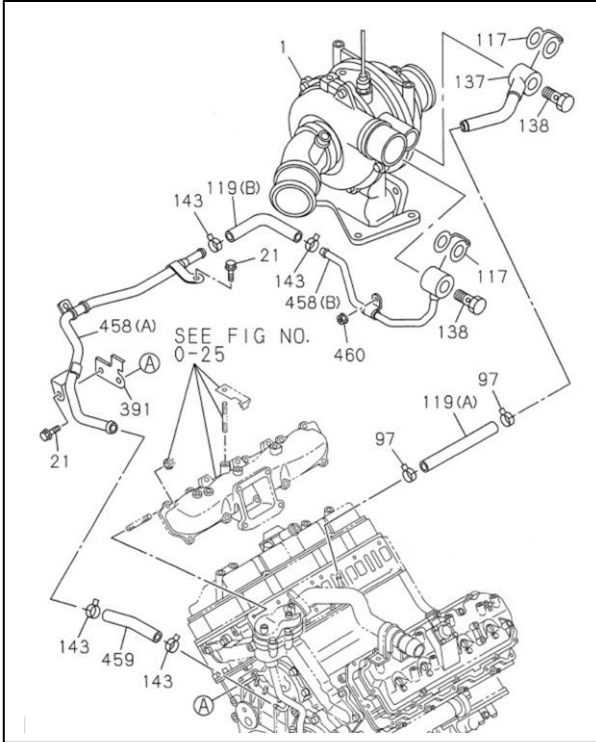
15 | FAN AND SERPENTINE BELT



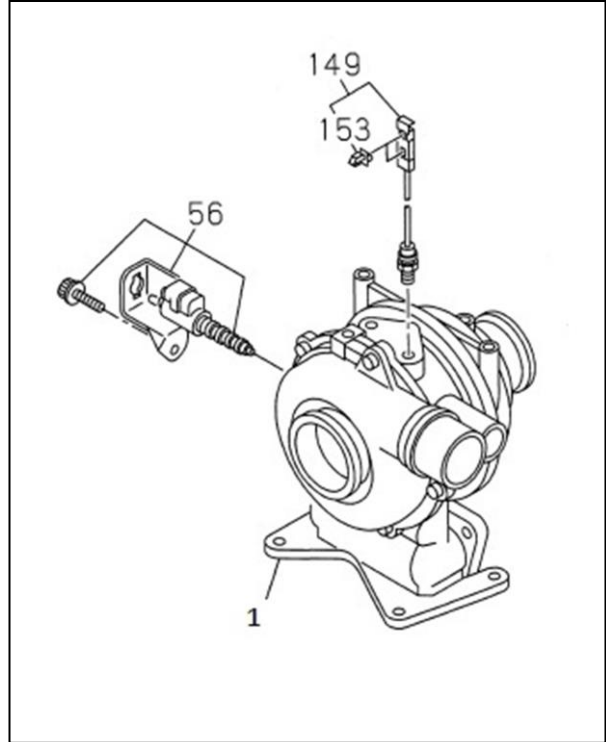
16 | TURBOCHARGER SYSTEM 1/2



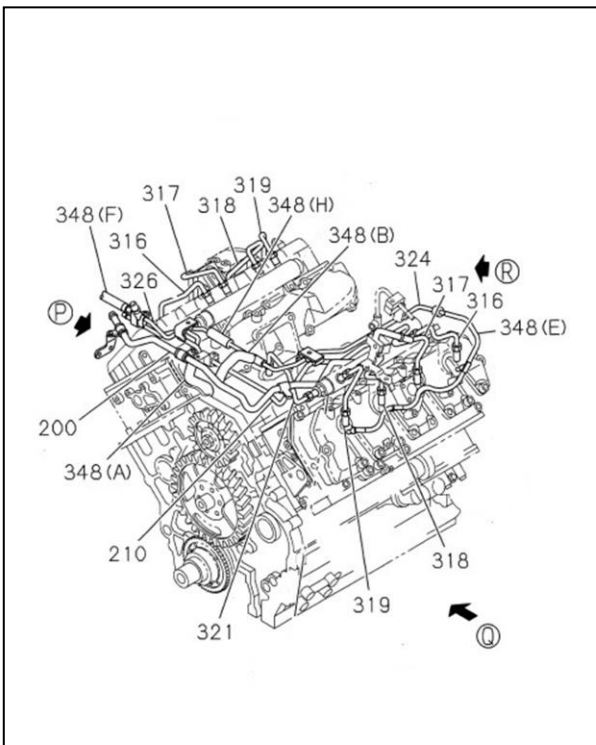
16 | TURBOCHARGER SYSTEM 2/2



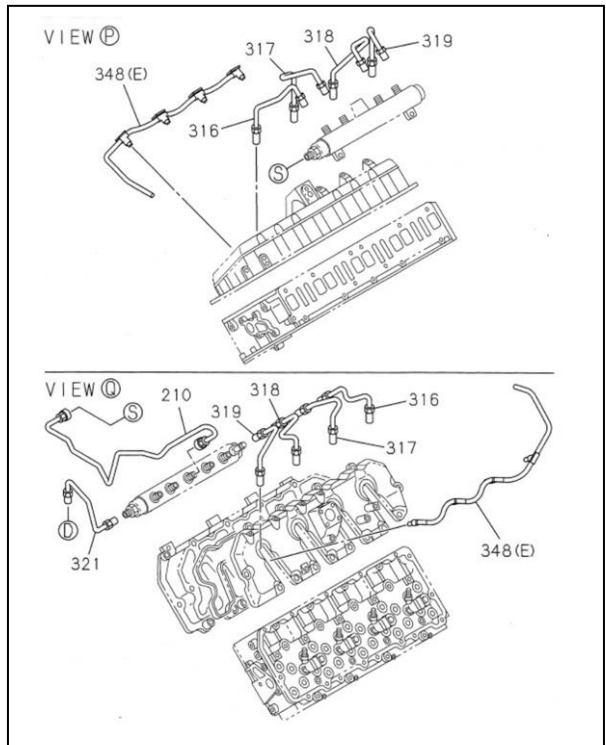
17 | TURBOCHARGER



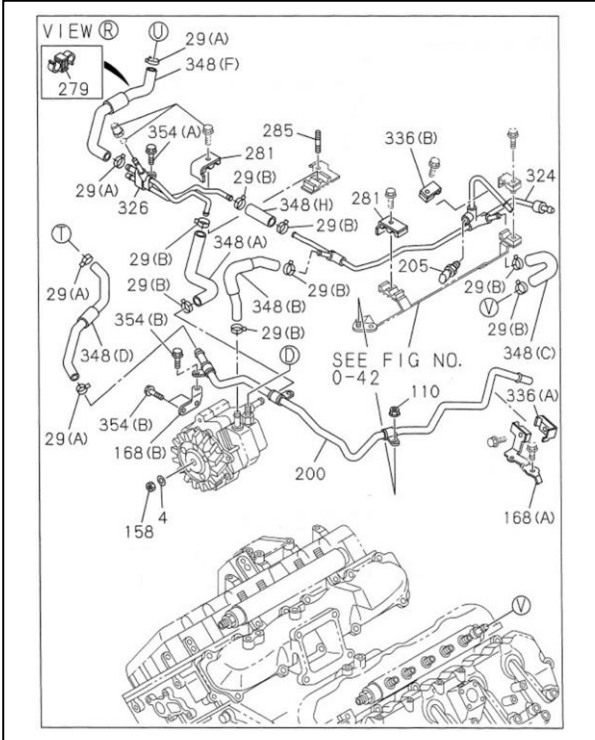
18 | FUEL INJECTION SYSTEM 1/3



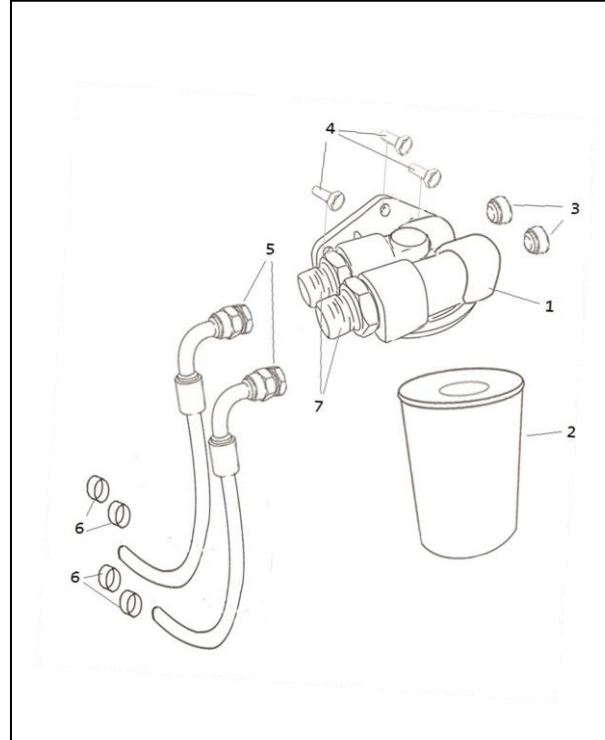
18 | FUEL INJECTION SYSTEM 2/3



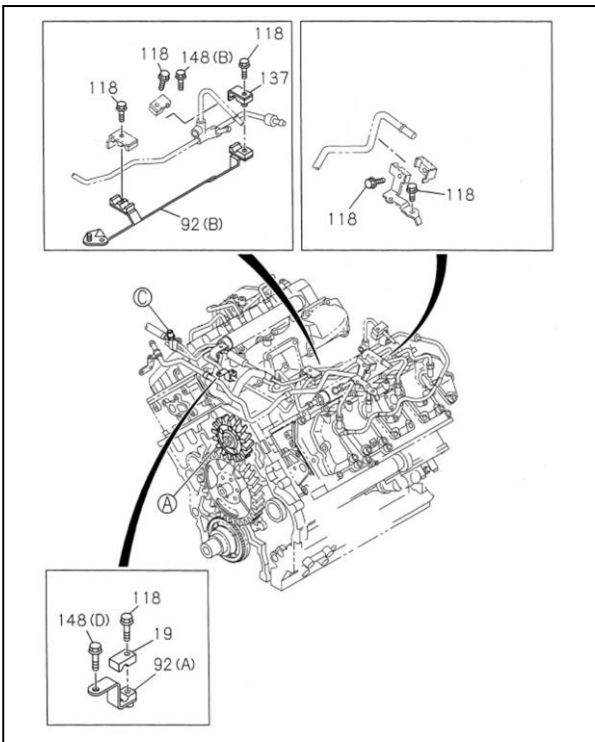
18 | FUEL INJECTION SYSTEM 3/3



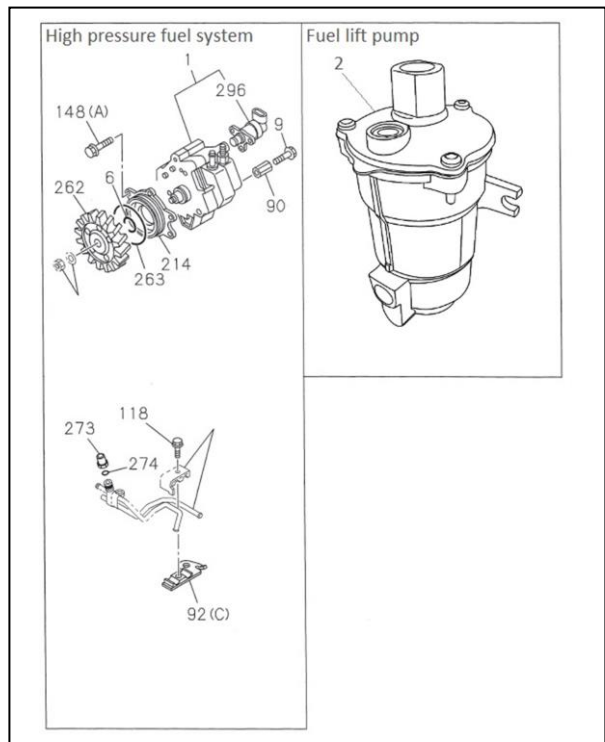
19 | FUEL FILTER AND BRACKET



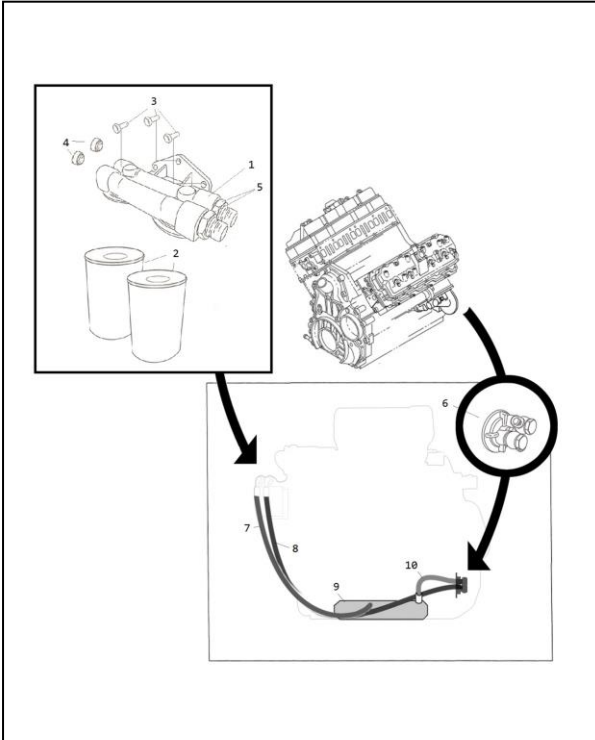
20 | FUEL PUMP AND PIPE 1/2



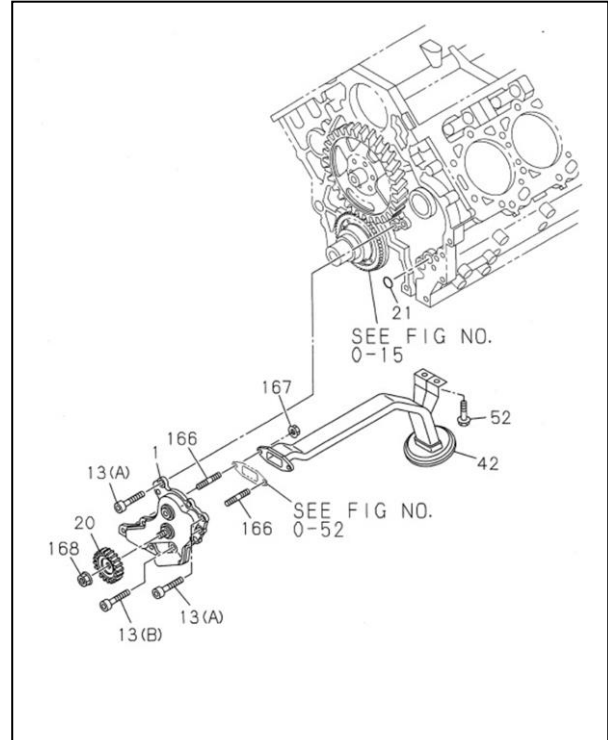
20 | FUEL PUMP AND PIPE 2/2



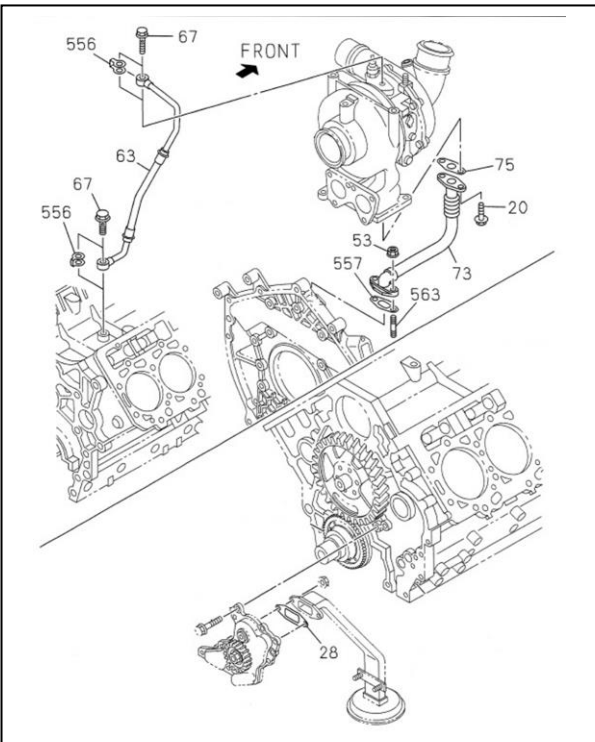
21 | OIL FILTER AND BRACKET



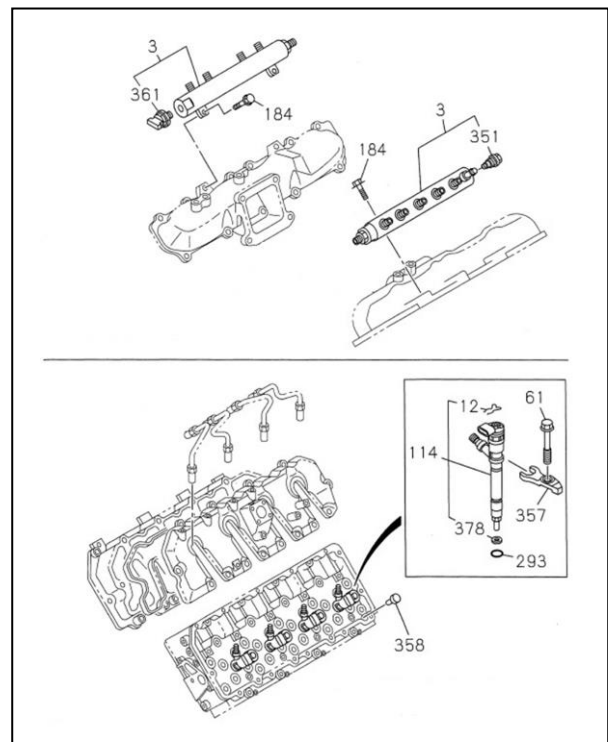
22 | OIL PUMP AND OIL STRAINER



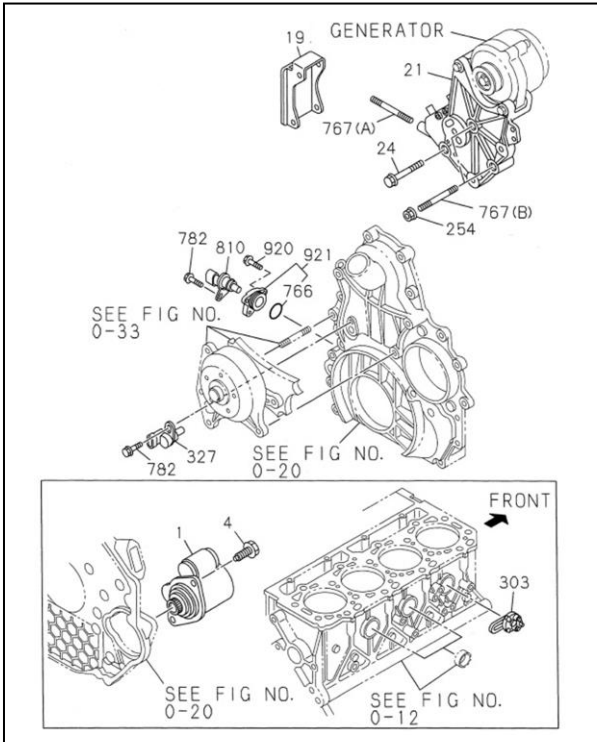
23 | OIL AND VACUUM PIPING



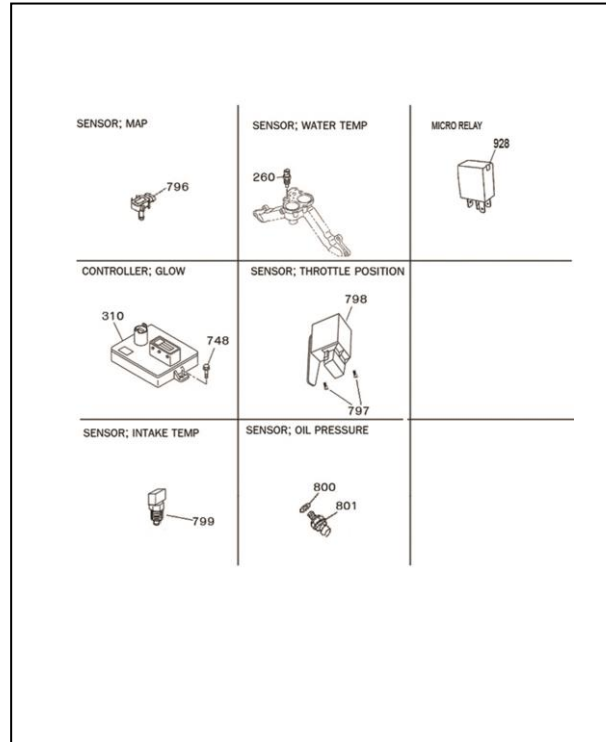
24 | ECGI SYSTEM OR COMMON RAIL



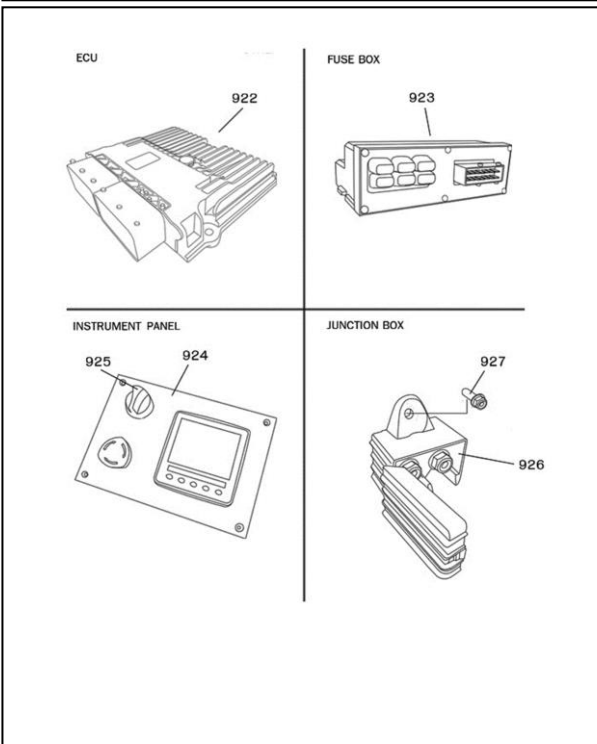
25 | ENGINE ELECTRICAL CONTROLL PARTS 1/3



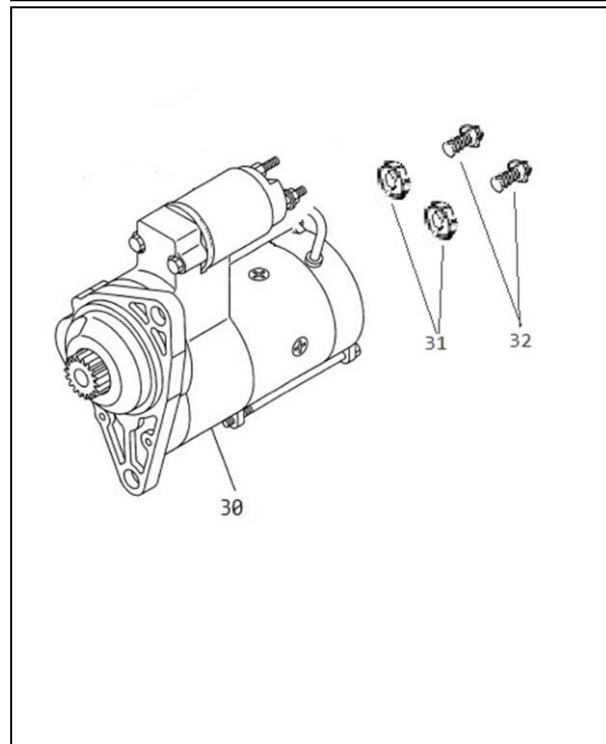
25 | ENGINE ELECTRICAL CONTROLL PARTS 2/3



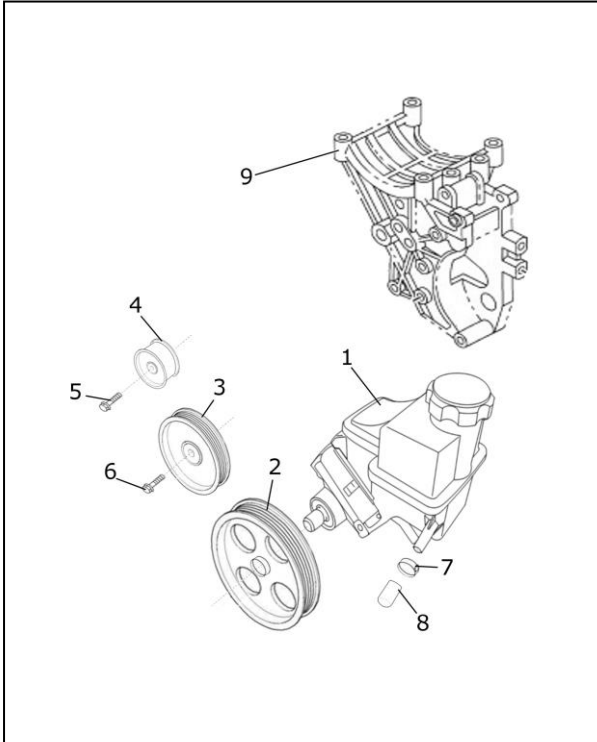
25 | ENGINE ELECTRICAL CONTROLL PARTS 3/3



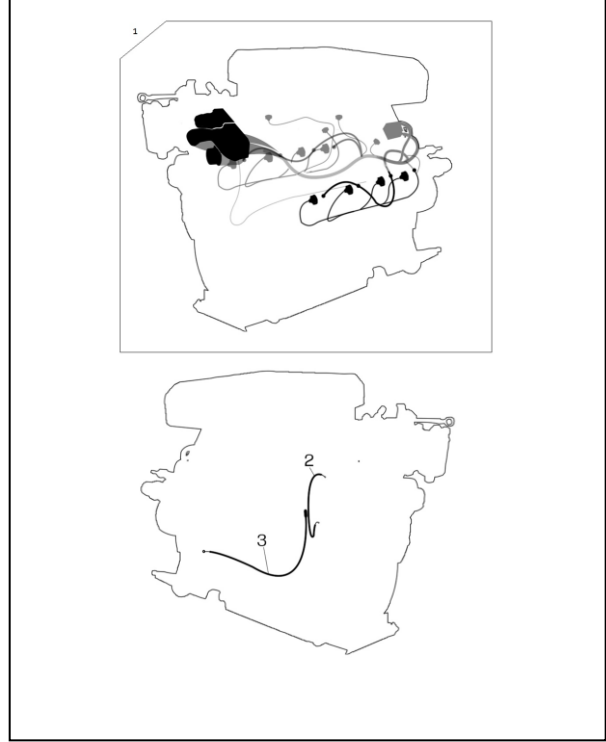
26 | STARTER



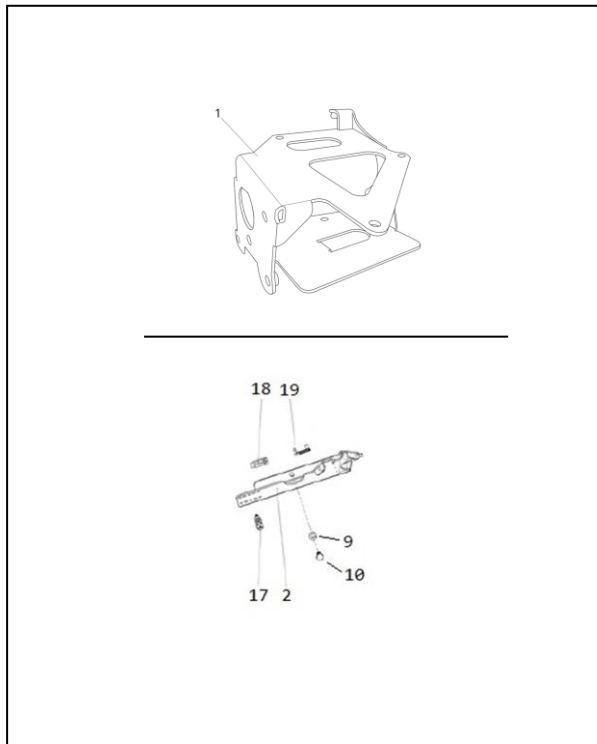
27 | POWER STEERING SYSTEM



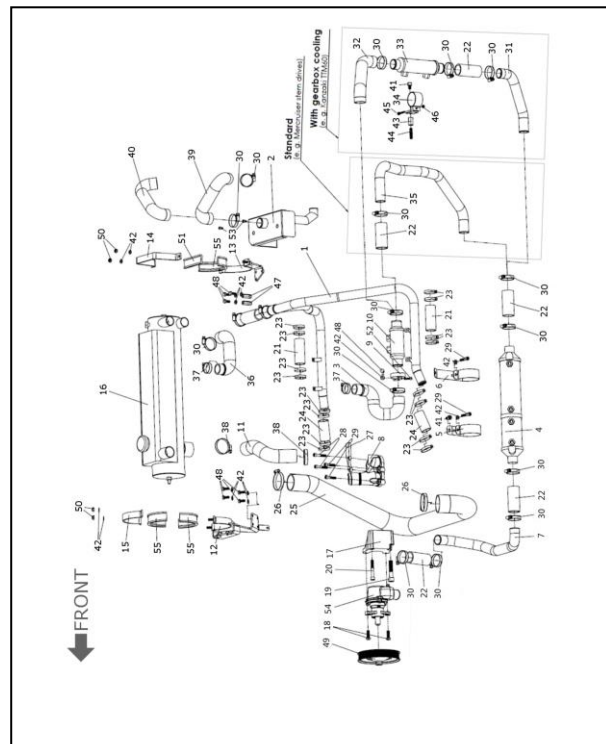
28 | WIRING HARNESS



29 | FIXING PARTS



30 | COOLING SYSTEM (SEA)

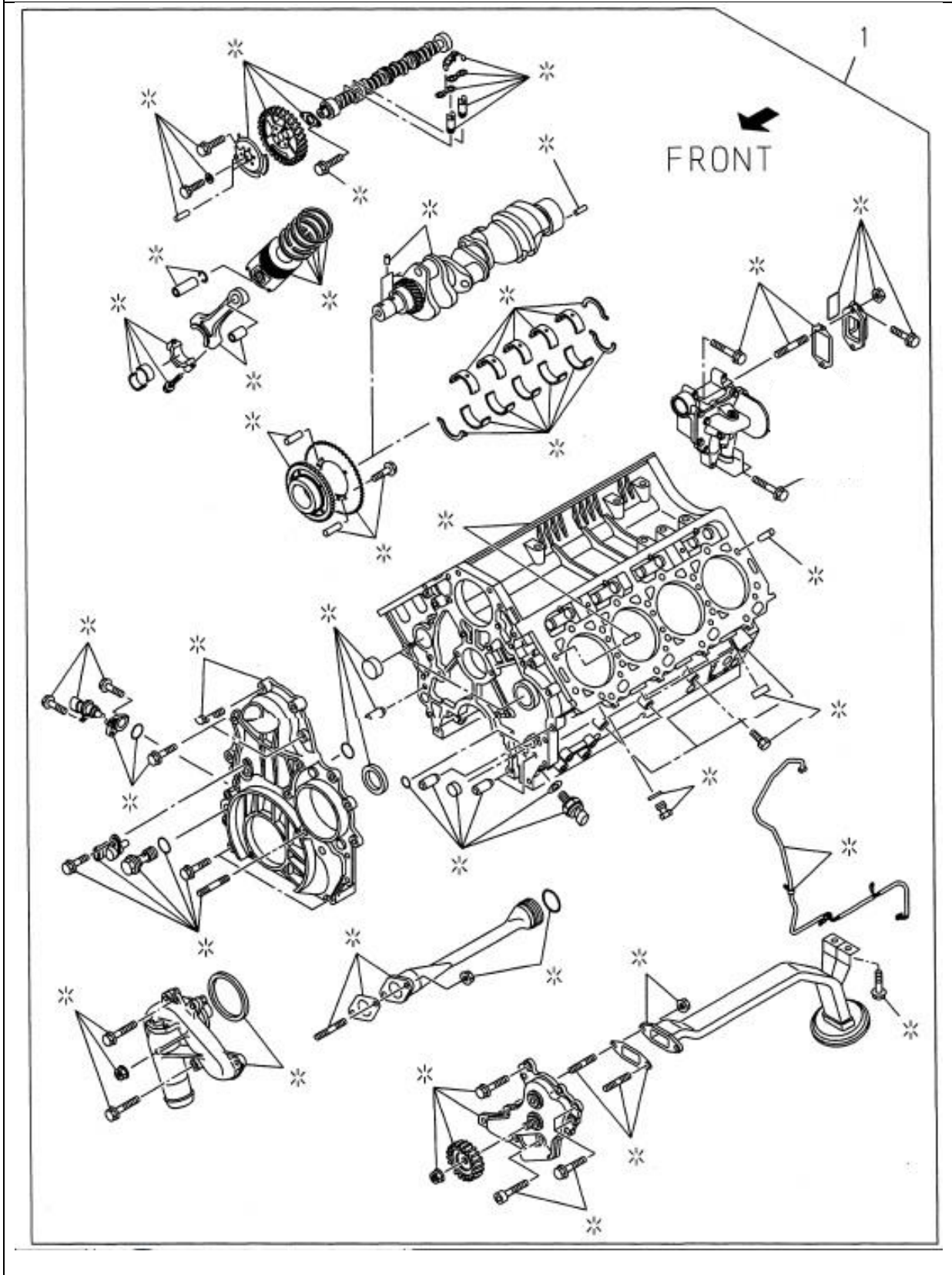




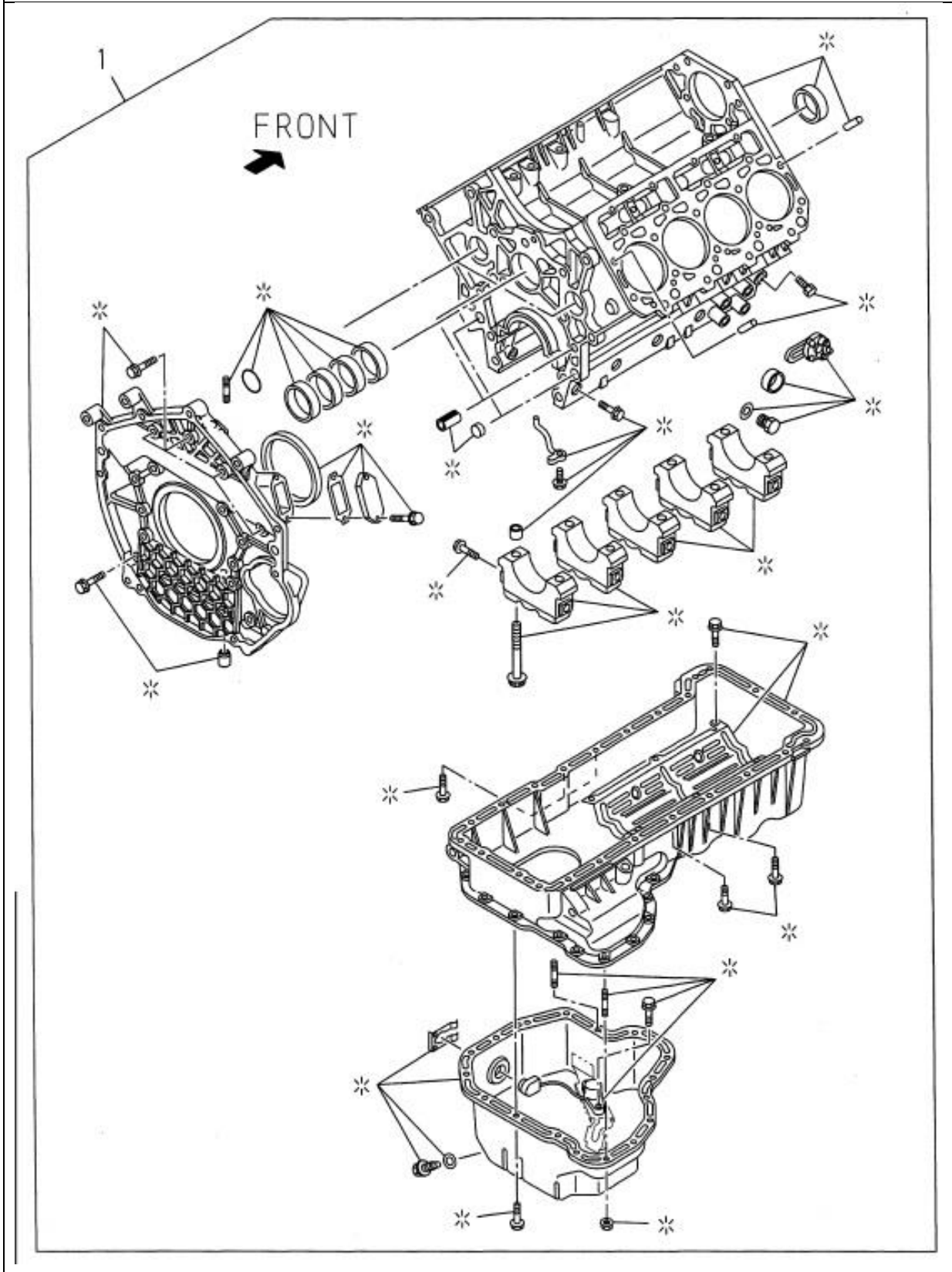
BUKH V8-SERIES ENGINE



01 | PARTIAL ENGINE 1/2



01 | PARTIAL ENGINE 2/2



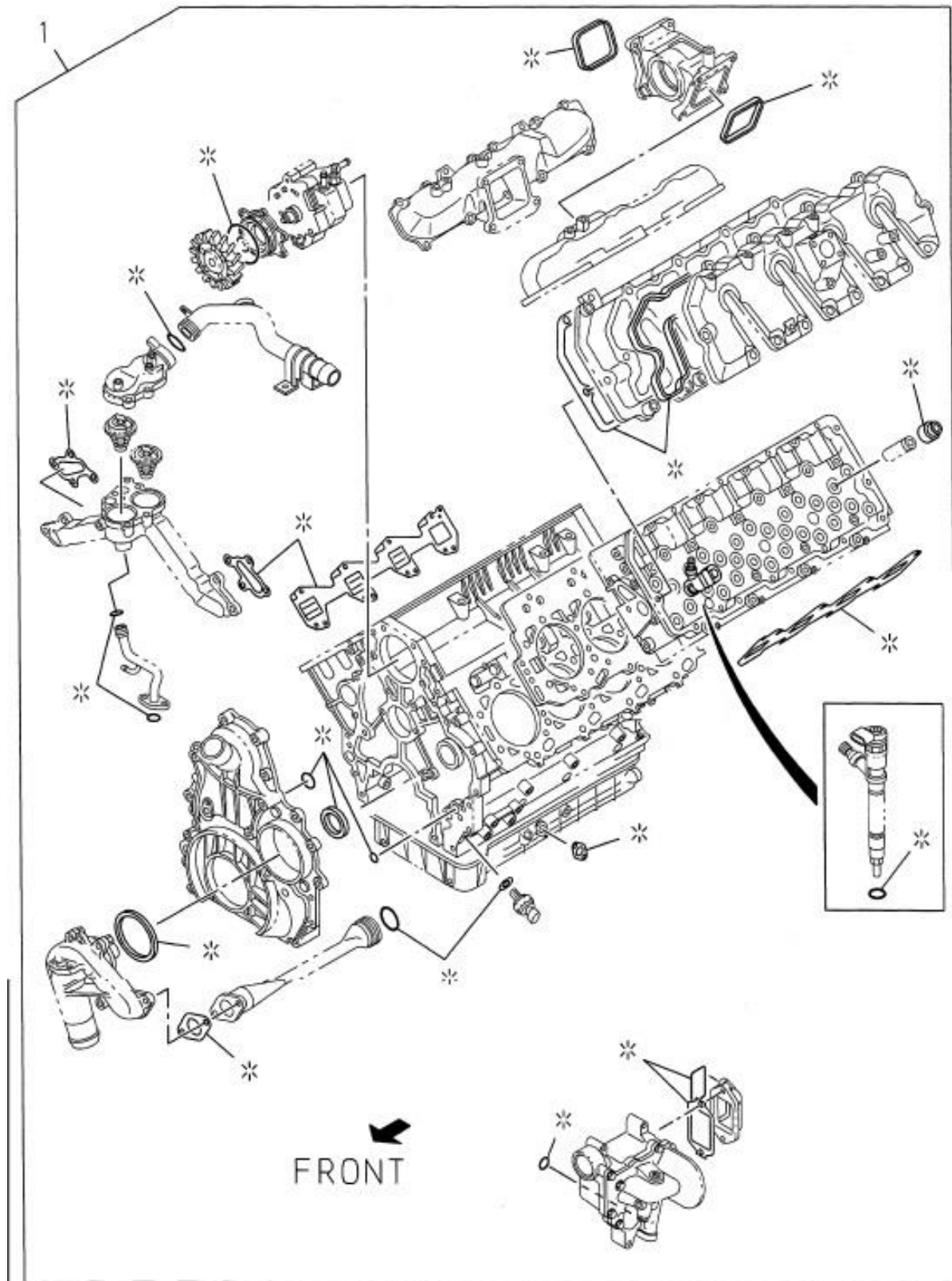


01 | PARTIAL ENGINE | PARTS LIST

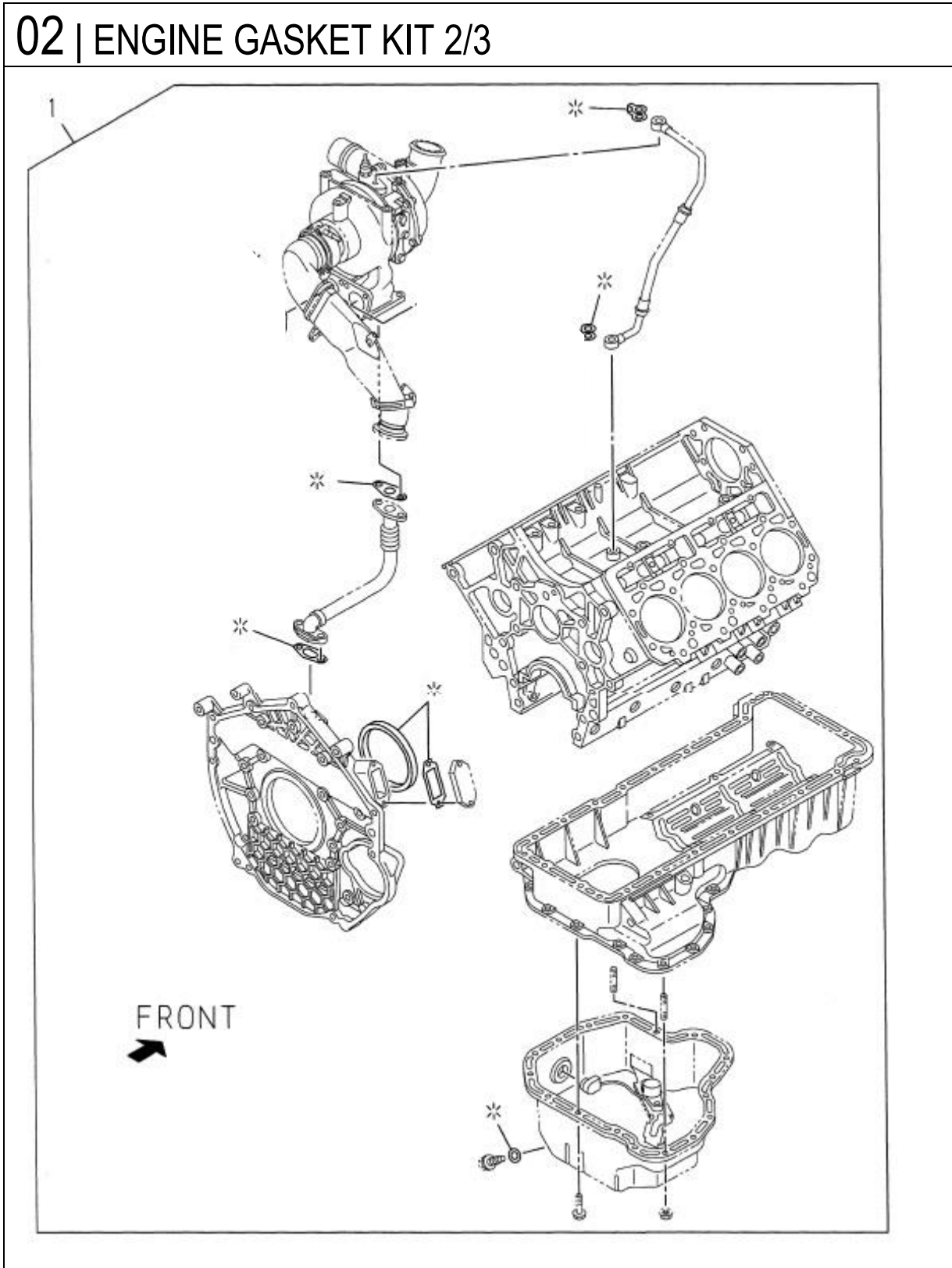
KEY	PART NO.	PART NAME	PCS	Engine year	REMARKS
1	5-87310-855-2	ENGINE ASM; PARTIAL	1	13-	*

*Retrofit for older models may be available, for information please contact BUKH.

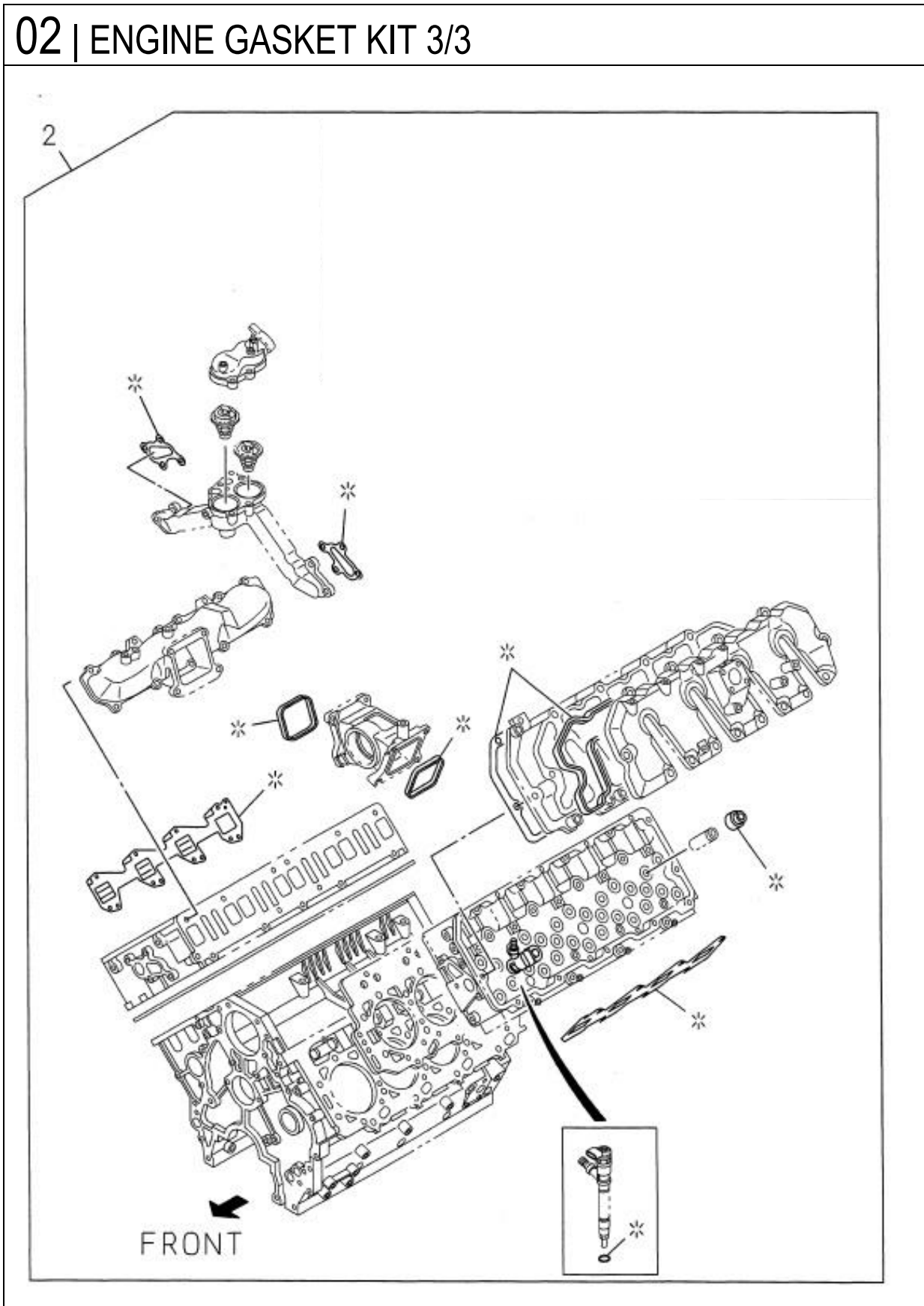
02 | ENGINE GASKET KIT 1/3



02 | ENGINE GASKET KIT 2/3



02 | ENGINE GASKET KIT 3/3

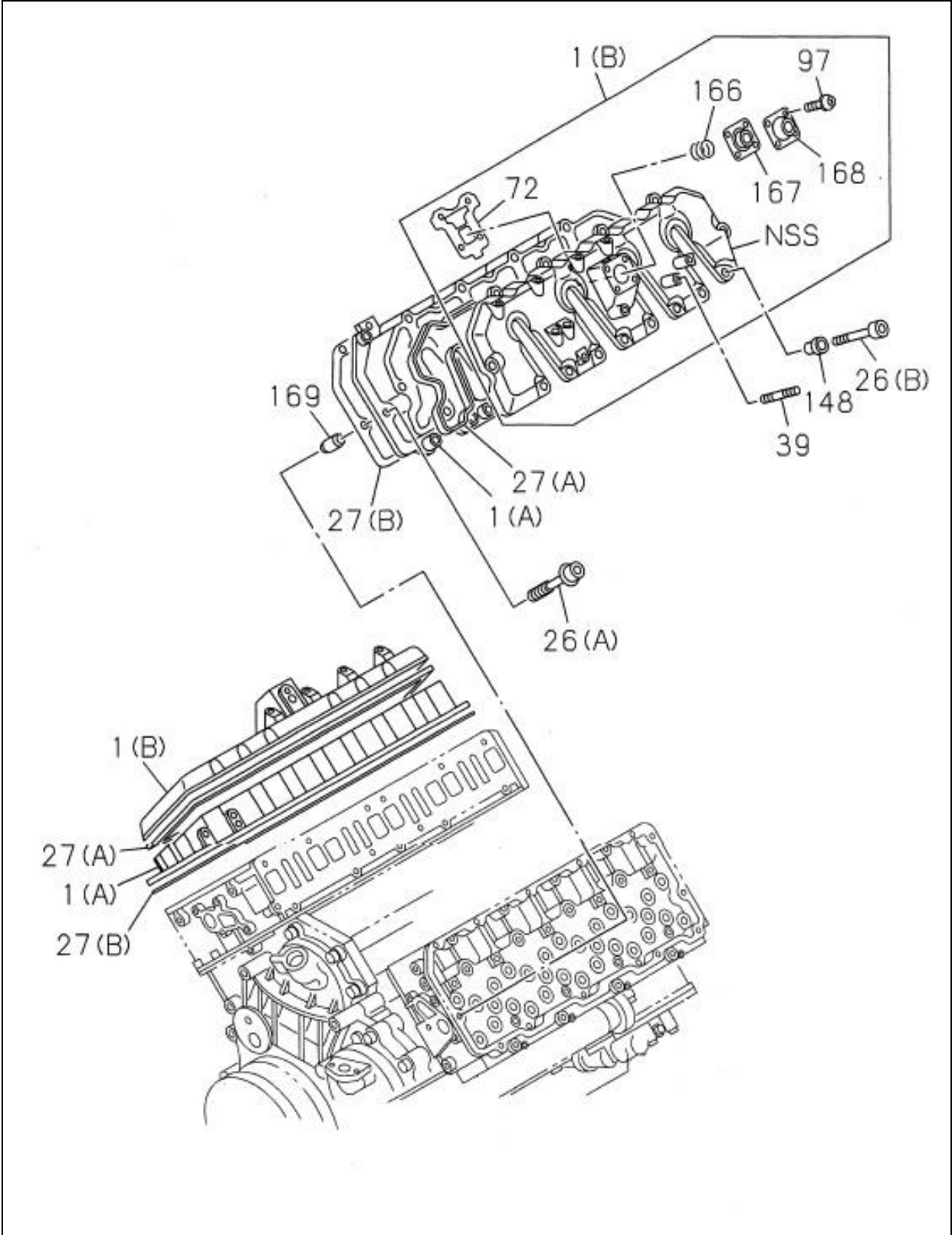




02 | ENGINE GASKET KIT | PARTS LIST

KEY	PART NO.	PART NAME	PCS	Engine year	REMARKS
1	5-87814-980-0	GASKET SET; ENG OVERHAUL	1	10-	LOWER
2	5-87814-983-0	GASKET SET; ENG HD OVERHAUL	1	10-	TOP; W/O HEAD GASKET

03 | CYLINDER HEAD COVER

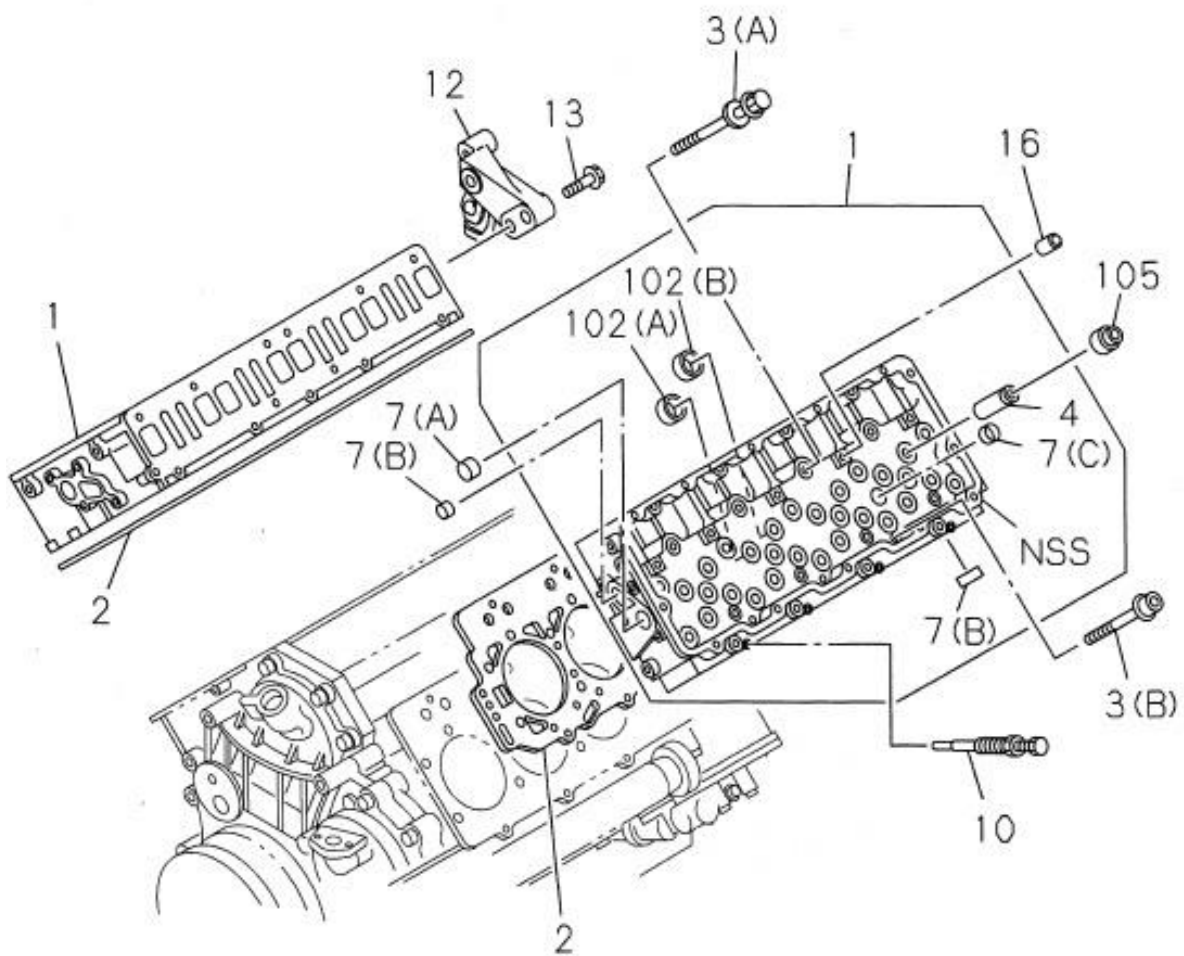




03 | CYLINDER HEAD COVER | PARTS LIST

KEY	PART NO.	PART NAME	PCS	Engine year	REMARKS
1a	8-97309-628-1	COVER; CYL HD	2	10-	
1a	8-98006-487-0	COVER; CYL HD	2	10-	
1b	8-98063-039-1	COVER; CYL HD	2	10-	
26a	8-97372-958-0	BOLT, CYL HD COVER	28	10-	
26b	8-97372-959-0	BOLT, CYL HD COVER	8	10-	
26b	8-97372-960-0	BOLT, CYL HD COVER	24	10-	
27a	8-97312-341-0	GASKET; HD COVER	2	10-	ALSO INCLUDED IN GASKET SET
27b	8-97321-295-0	GASKET; HD COVER	2	10-	ALSO INCLUDED IN GASKET SET
39	0-49140-814-0	STUD; COVER HD	1	10-	
72	8-97386-600-0	PLATE; INNER HD COVER	2	10-	
97	8-97329-604-0	SCREW; CYL HD COVER	8	10-	
148	8-97315-638-0	MOUNTING; HEAD COVER	28	10-	
166	8-98042-544-0	SPRING; VENTILATOR	2	10-	
167	8-97041-592-0	DIAPHRAGM; VENTILATOR	4	10-	
168	8-98041-594-0	COVER; VENTILATOR	2	10-	
169	8-97014-295-1	DOWEL; COVER HD	4	10-	

04 | CYLINDER HEAD

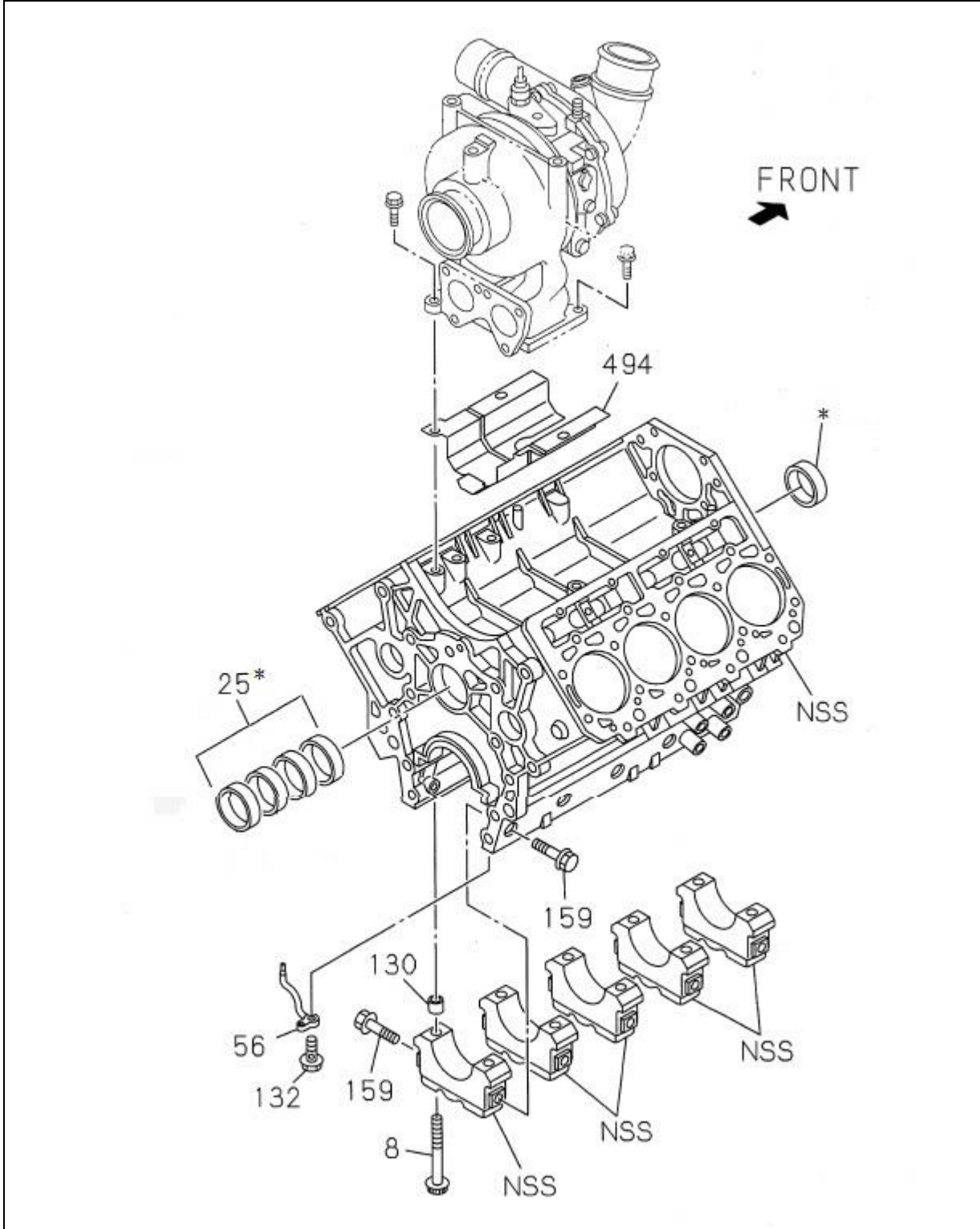




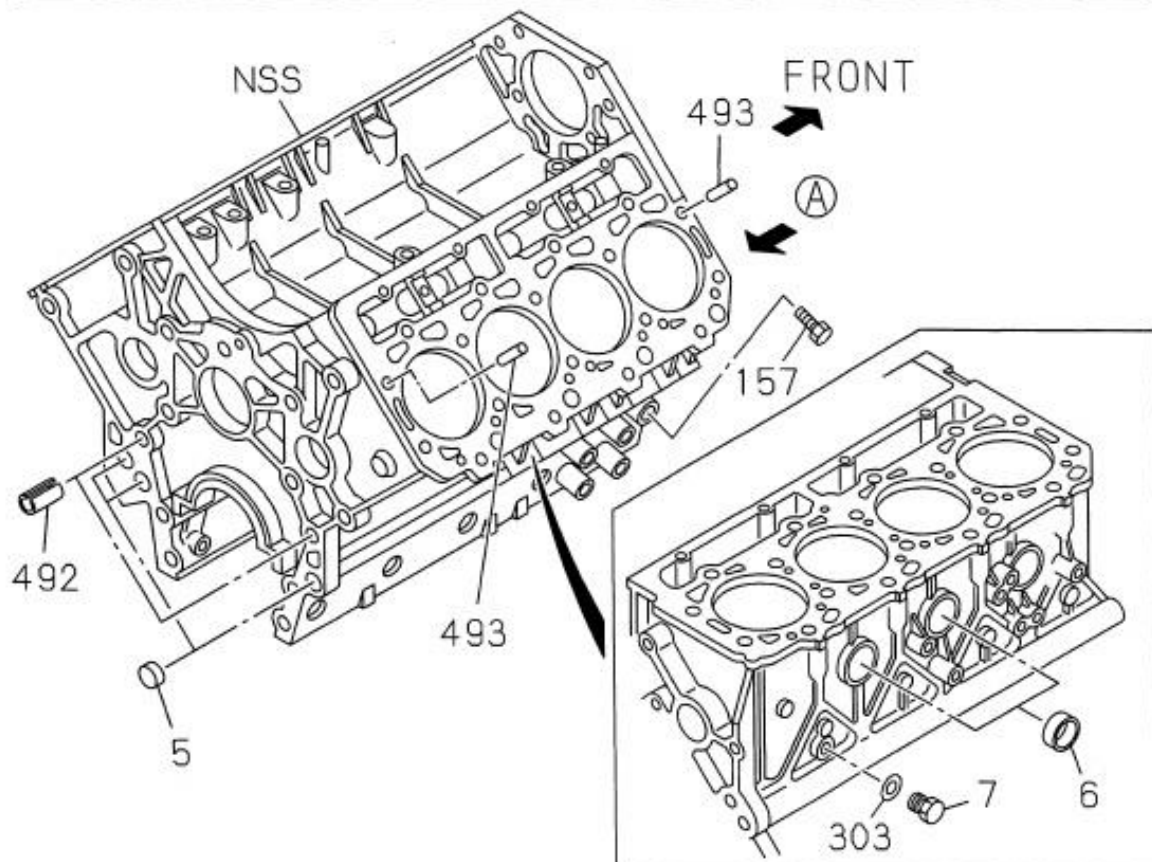
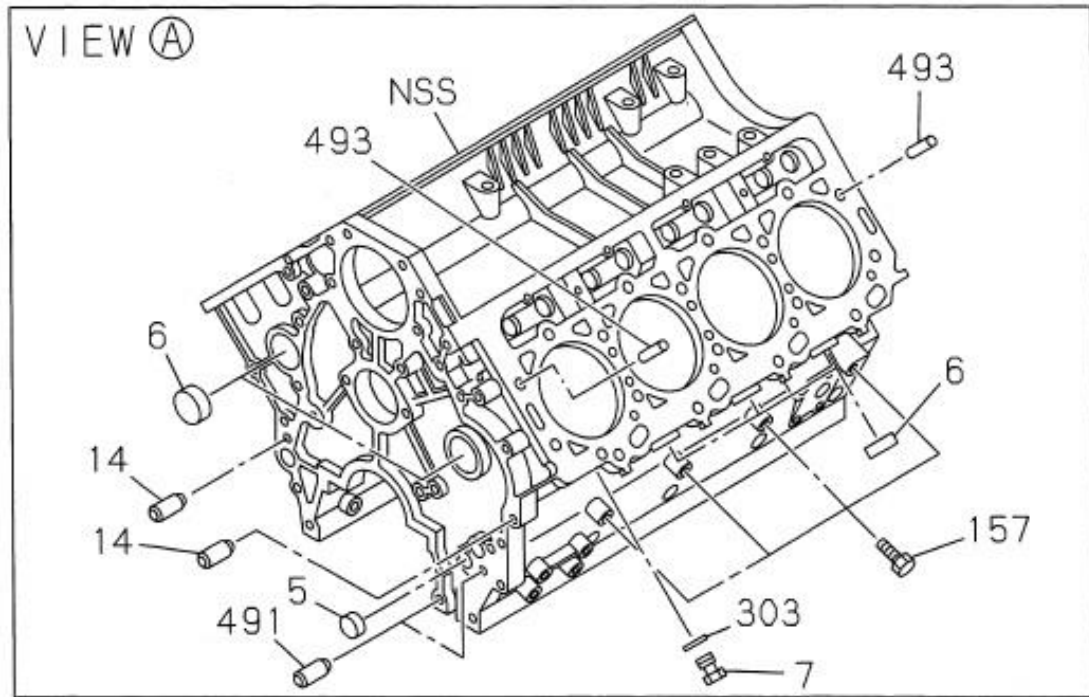
04 | CYLINDER HEAD | PARTS LIST

KEY	PART NO.	PART NAME	PCS	Engine year	REMARKS
1	8-98025-702-2	HEAD ASM; CYL	2	10-	
2	8-98045-057-0	GASKET, CYL HD	1	10-	RH
"	8-98045-060-0	GASKET, CYL HD	1	10-	LH
3a	8-97310-851-0	BOLT; CYL HD TO BLOCK	2	10-	1 SET; PR. HEAD
3b	8-97355-741-0	BOLT; CYL HD TO BLOCK	8	10-	
4	8-97250-340-1	GUIDE, VLV	32	10-	
10	8-97364-698-1	PLUG; GLOW	8	10-	
12	8-98002-884-0	HANGER; ENG RR	1	10-	
13	0-28751-035-0	BOLT; HANGER	2	10-	
16	9-11319-065-3	DOWEL; ROCKER SHAFT BRKT	4	10-	
102a	8-97212-571-2	SEAT; VLV	16	10-	INLET
102b	8-97212-572-0	SEAT; VLV	16	10-	EXH
105	8-97212-994-1	SEAT; OIL VLV STEM	32	10-	ALSO INCLUDED IN GASKET SET

05 | CYLINDER BLOCK 1/2



05 | CYLINDER BLOCK 2/2

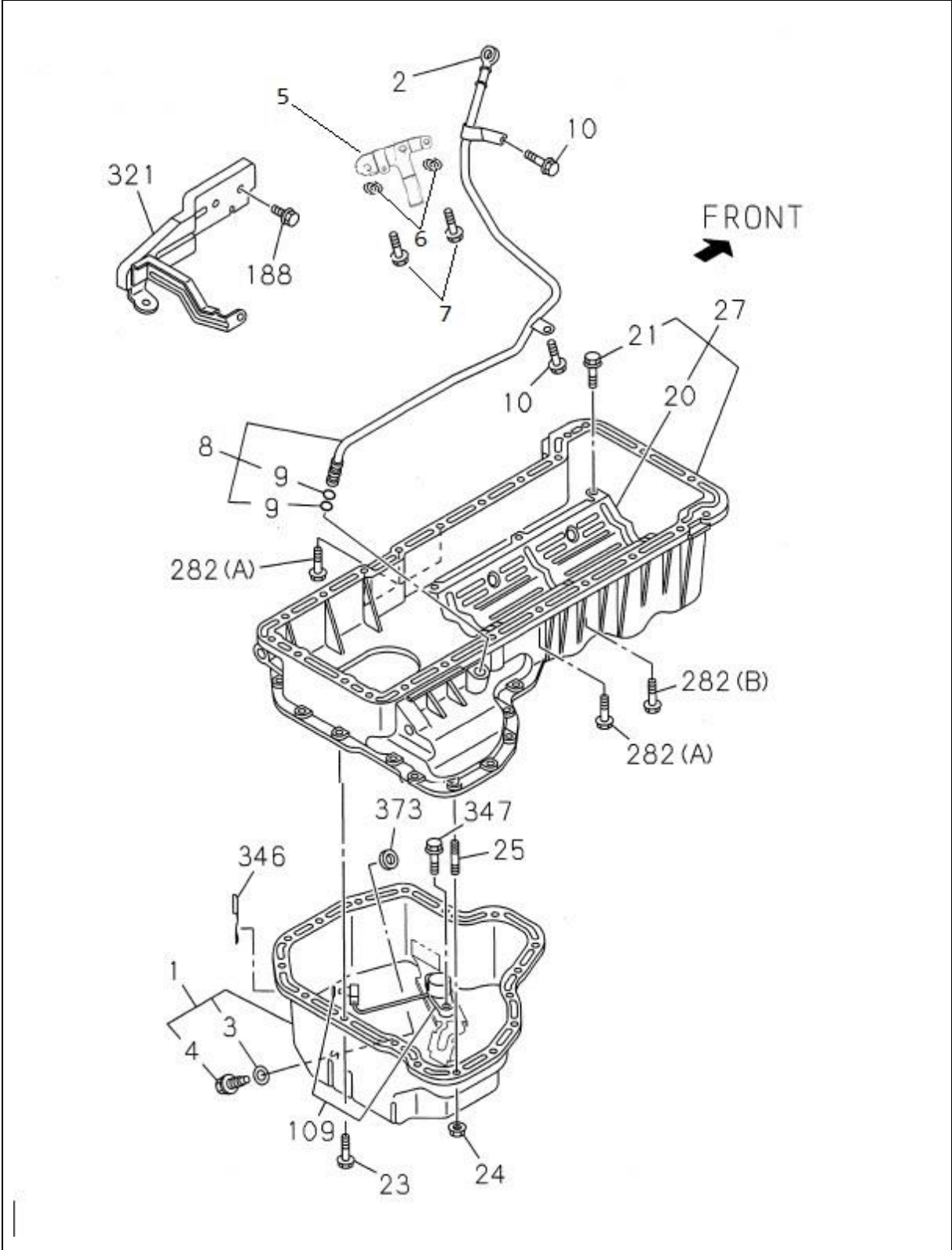




05 | CYLINDER BLOCK | PARTS LIST

KEY	PART NO.	PART NAME	PCS	Engine year	REMARKS
5	8-94150-231-0	CUP; SEALING, OIL GALLERY	4	10-	
6	8-94399-639-0	CUP; SEALING	7	10-	
7	8-97329-616-0	PLUG; WATER DRAIN	2	10-	
8	8-98019-464-0	BOLT; BRG CAP	10	10-	
14	9-11229-058-1	DOWEL; TIMING GEAR CASE	2	10-	
25	20-5093-125	METAL; CM/SHF	1	10-	SET; PR ENGINE
56	8-97352-402-0	JET; OIL, PISTON COOLING	8	10-	
130	8-94399-688-1	DOWEL; BRG CAP	2	10-	
132	8-97329-618-0	VALVE; CHECK OIL	8	10-	
157	8-97329-617-0	PLUG; OIL GALLERY SIDE	5	10-	
159	8-98006-969-0	BOLT; BRG CAP SIDE FIX	10	10-	
303	1-09630-083-0	GASKET; PLUG	2	10-	
491	9-11229-058-1	DOWEL; C/BL TO OIL PUMP	2	10-	
492	8-98039-978-0	DOWEL; FLYWHEEL HSG	2	10-	
493	8-97231-007-1	DOWEL	4	10-	
494	8-97303-754-1	PROTECTOR; TURBO UNDER	1	10-	

06 | OIL PAN AND LEVEL GAUGE

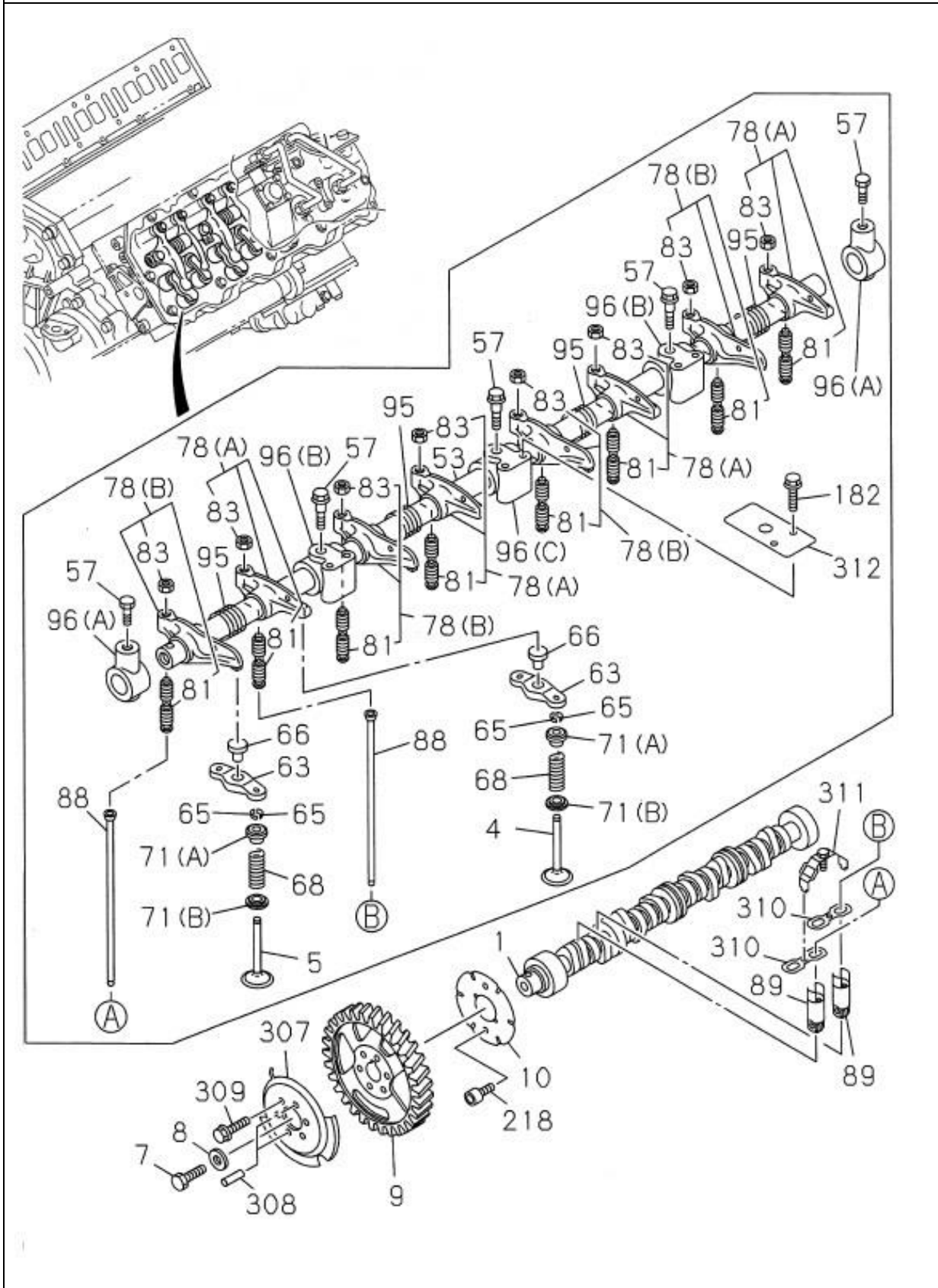




06 | OIL PAN AND LEVEL GAUGE | PARTS LIST

KEY	PART NO.	PART NAME	PCS	Engine year	REMARKS
1	8-97329-637-0	PAN ASM; OIL	1	-12	
"	8-12650-979-0	PAN ASM; OIL	1	13-	
2	8-98024-534-1	DIPSTICK; OIL	1	10-	
3	8-97227-589-0	GASKET; DRAIN PLUG	1	10-	ALSO INCLUDED IN GASKET SET
4	8-97329-654-0	PLUG; DRAIN, OIL	1	10-	
5	20-5020-125	BRACKET; OIL DIPSTICK	1	10-	
6	26-1617	WASHER	2	10-	
7	26-1713	BOLT; BRACKET	2	10-	
8	8-98023-012-3	TUBE; GUIDE, OIL LEVEL GAUGE	1	10-	
9	5-09623-002-0	GASKET; GUIDE TUBE, OIL LEVEL GAUGE	1	10-	
20	8-97228-245-0	PLATE; BAFFLE, CRANKCASE	1	10-	
21	0-28050-812-0	BOLT; BAFFLE PLATE, CRANKCASE	10	10-	
23	8-97329-165-0	BOLT; OIL PAN	15	10-	
24	8-97329-622-0	NUT; OIL PAN	2	10-	
25	0-41010-612-0	STUD; OIL PAN	2	10-	
27	8-97329-638-1	CRANKCASE	1	-12	
"	8-98005-474-2	CRANKCASE	1	13-	
188	9-11229-058-1	DOWEL; C/BL TO OIL PUMP	2	10-	
282a	8-98039-978-0	DOWEL; FLYWHEEL HSG	2	10-	
282b	8-98039-978-0	DOWEL; FLYWHEEL HSG	2	10-	
346	8-97231-007-1	DOWEL	4	10-	
347	8-97303-754-1	PROTECTOR; TURBO UNDER	1	10-	
373	8-98032-497-0	MAGNET; OIL PAN	1	10-	

07 | CAMSHAFT AND VALVE

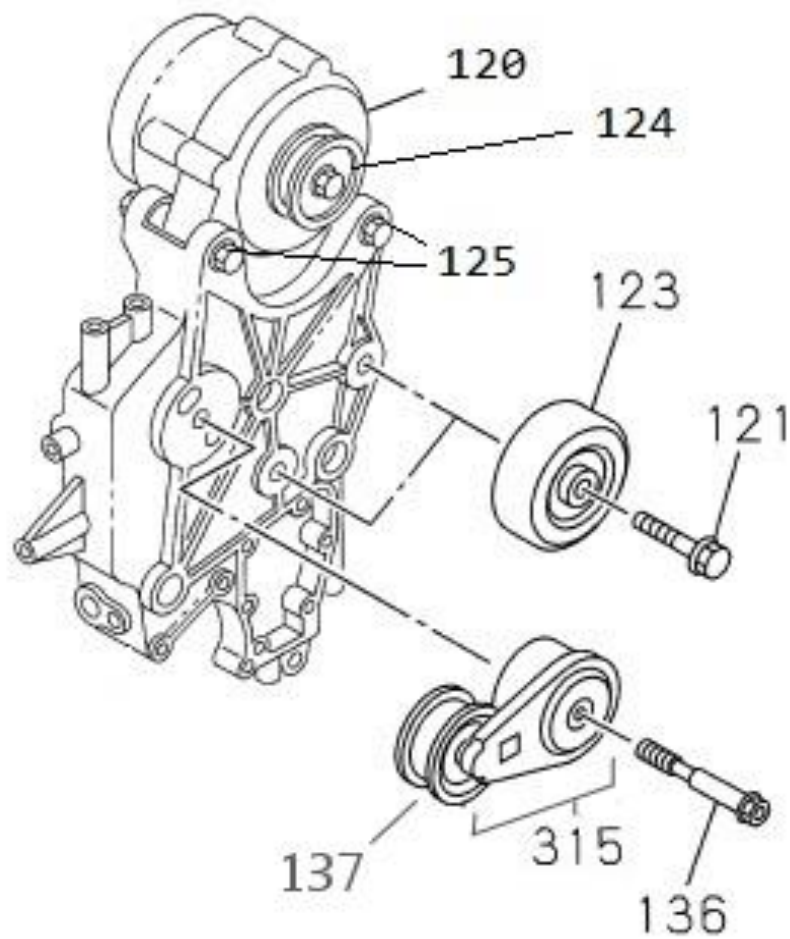




07 | CAMSHAFT AND VALVE | PARTS LIST

KEY	PART NO.	PART NAME	PCS	Engine year	REMARKS
1	8-97362-188-1	CAMSHAFT	1	10-	
4	8-97366-945-0	VALVE; INL	16	10-	
5	8-97366-946-0	VALVE; EXH	16	10-	
7	8-97329-611-0	BOLT; CM/SHF GEAR	1	10-	
8	8-97225-125-1	WASHER; CM/SHF GEAR	1	10-	
9	8-97377-545-1	GEAR; CM/SHF	1	10-	
10	8-97372-508-1	PLATE; THRUST	1	10-	
53	8-97224-903-1	SHAFT; ROCKER ARM	2	10-	
57	0-28161-080-0	BOLT; ROCKER ARM BRKT	10	10-	
63	8-97380-130-0	BRIDGE	16	10-	
65	8-94239-501-0	COLLAR; SPLIT	64	10-	
66	8-97206-521-2	CAP; VLV STEM END	16	10-	
68	8-98025-825-0	SPRING; VLV	32	10-	
71a	8-97329-106-0	SEAT; SPR	32	10-	UPPER
71b	8-97188-750-2	SEAT; SPR	32	10-	LOWER
78a	8-97365-293-1	ARM; ROCKER	8	10-	INLET
78b	8-98004-537-0	ARM; ROCKER	8	10-	EXHAUST
81	8-97225-242-4	SCREW; ADJ ROCKER ARM	16	10-	
83	0-91111-510-0	NUT; ADJ SCREW, LK	16	10-	
88	8-97367-163-0	ROD; PUSH	16	10-	
89	8-97325-546-2	TAPPET; VLV	16	10-	
95	8-97329-104-0	SPRING; ROCKER SHAFT	8	10-	
96a	8-97224-904-2	BRACKET; ROCKER ARM SHAFT	4	10-	
96b	8-98004-540-0	BRACKET; ROCKER ARM SHAFT	4	10-	
96c	8-97224-906-2	BRACKET; ROCKER ARM SHAFT	2	10-	
182	8-97329-605-0	BOLT; BAFFLE	4	10-	
218	8-97329-612-0	BOLT; THRUST PLATE, CM/SHF	2	10-	
307	8-97367-477-0	ROTOR; CAM ANGLE SENSOR	1	10-	
308	9-08160-508-0	PIN; ROTOR	2	10-	
309	8-97329-610-0	BOLT; ROTOR	6	10-	
310	8-97240-845-2	GUIDE; TAPPET	8	10-	
311	8-97223-315-4	PLATE; TAPPET GUIDE	4	10-	
312	8-97213-525-2	PLATE; BAFFLE ROCKER SHAFT	2	10-	

08 | ALTERNATOR, PULLEY AND TENSIONER

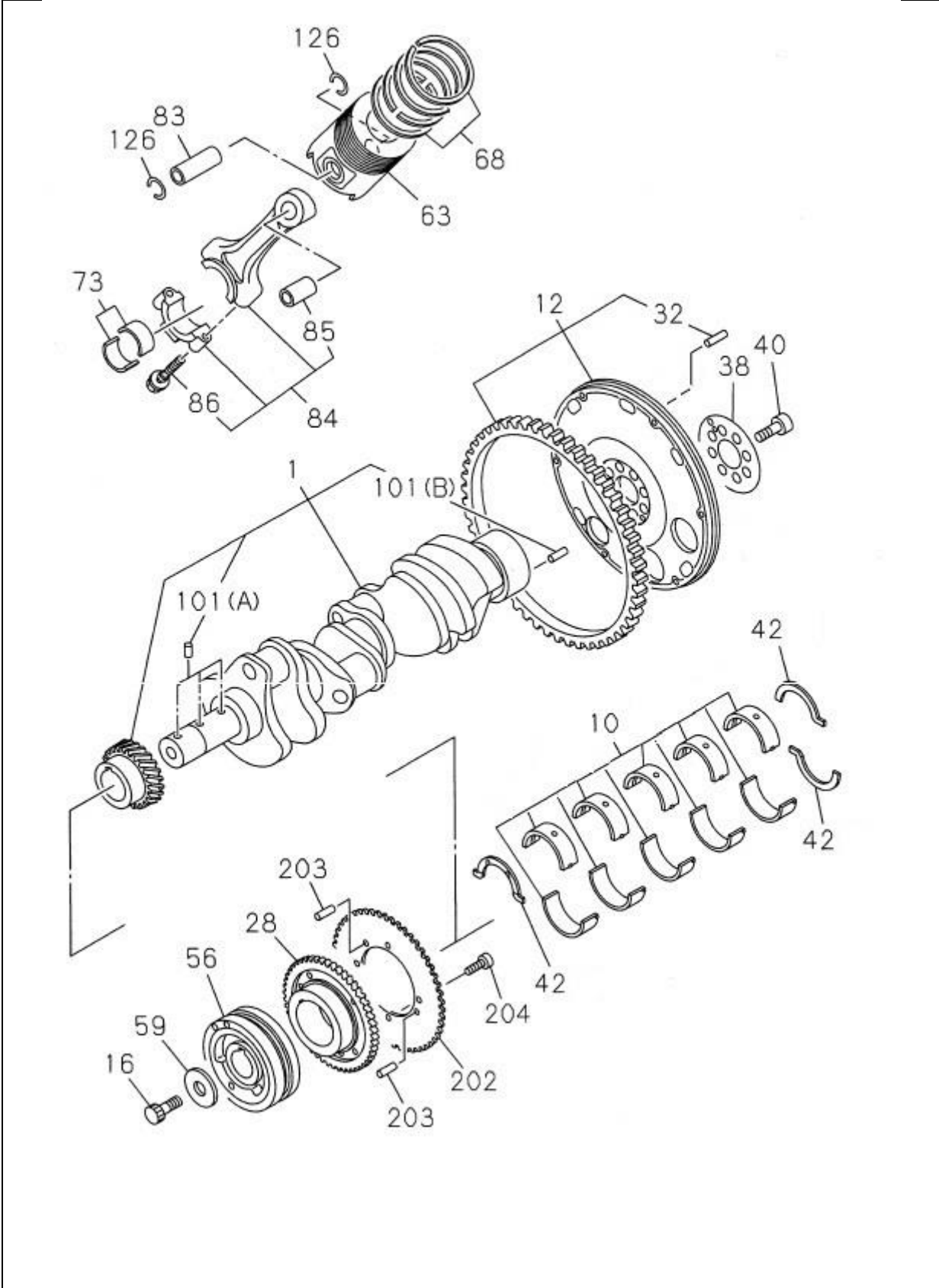




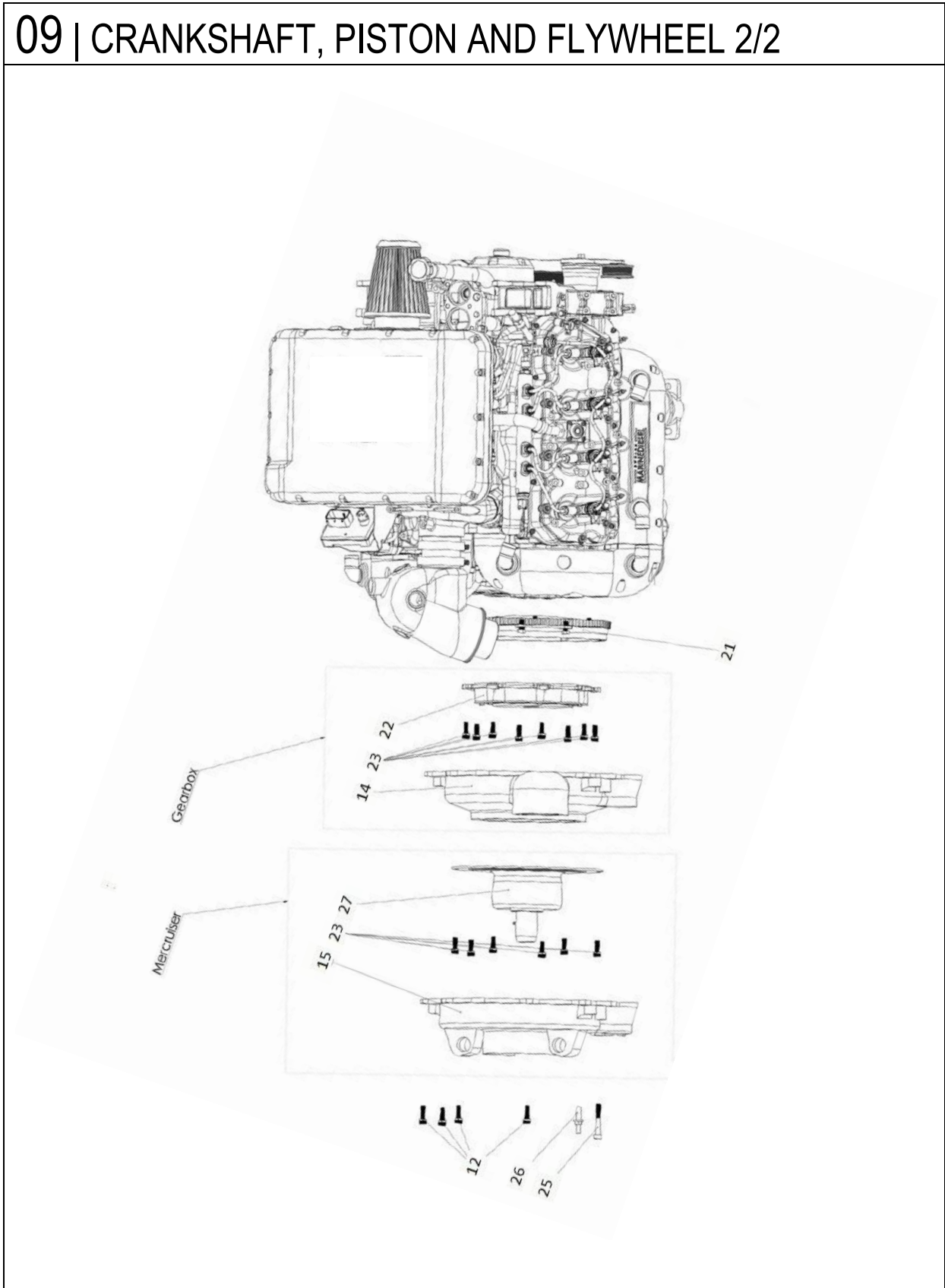
08 | ALTERNATOR, PULLEY AND TENSIONER | PARTS LIST

KEY	PART NO.	PART NAME	PCS	Engine year	REMARKS
120	20-5020-107	ALTERNATOR; 12V STD	1	10-	
121	0-28151-050-0	BOLT; IDLE PULLEY	2	10-	
123	8-97209-546-1	PULLEY; IDLE, TIMING	2	10-	
124	41-1160	PULLEY; ALTERNATOR	1	10-	
125	20-1634	BOLT; ALTERNATOR	2	10-	
136	8-97329-614-0	BOLT; TENSIONER	1	10-	
137	20-5016-001	PULLEY; TENSIONER	1	10-	
315	8-98094-201-0	TENSIONER ASSY; BELT	1	10-	

09 | CRANKSHAFT, PISTON AND FLYWHEEL 1/2



09 | CRANKSHAFT, PISTON AND FLYWHEEL 2/2





09 | CRANKSHAFT, PISTON AND FLYWHEEL | PARTS LIST

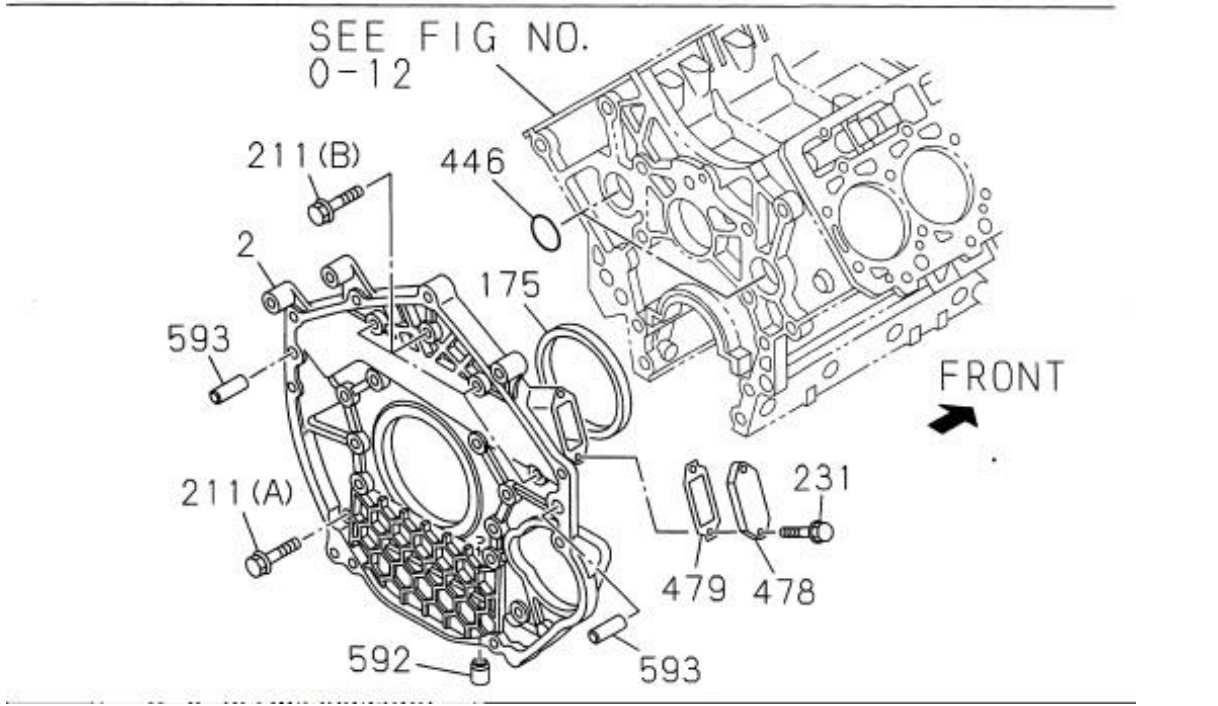
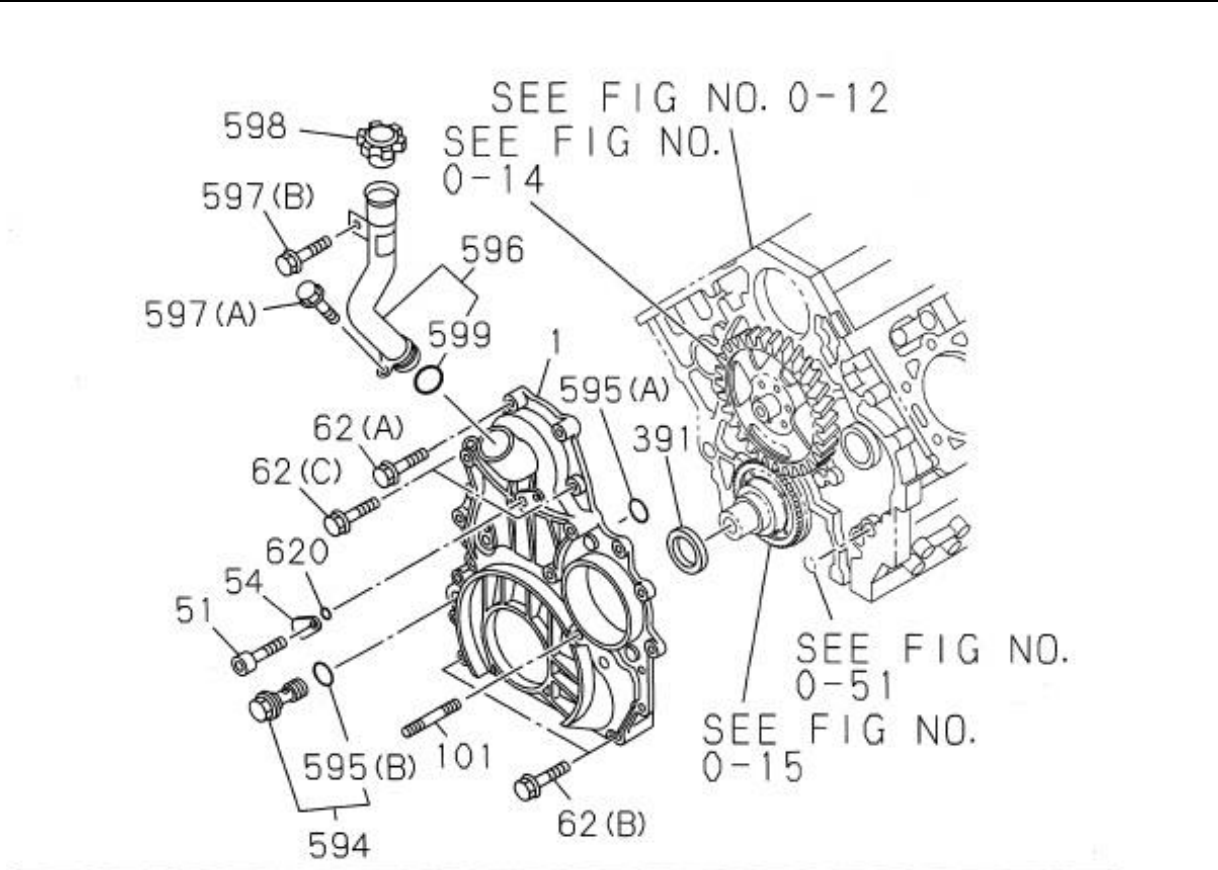
KEY	PART NO.	PART NAME	PCS	Engine year	REMARKS
1	8-97374-386-2	CRANKSHAFT	1	-12	
"	8-12641-925-2	CRANKSHAFT	1	13-	
10	20-5093-123	METAL SET; CRANKSHAFT	1	10-	SET; PR ENGINE
12	8-97372-295-0	FLYWHEEL ASM	1	-12	
"	8-12641-640-0	FLYWHEEL ASM	1	13-	
16	8-97329-601-0	BOLT; PULLEY TO CENTER	1	-12	
"	8-11610-682-2	BOLT; PULLEY TO CENTER	1	13-	
28	8-98002-135-1	GEAR; CR/SHF	1	-12	
32	9-08150-612-0	PIN; FLYWHEEL	1	-12	
38	8-97226-130-3	WASHER; FLYWHEEL	1	-12	
"	26-0001	WASHER; FLYWHEEL	1	13-	
40	8-97226-126-1	BOLT; FLYWHEEL	8	-12	
42	20-5026-123	WASHER; THRUST, CR/SHF	1	10-	SET; PR ENGINE
56	8-97374-383-0	PULLEY; CR/SHF DAMPER	1	-12	
"	8-98062-792-0	PULLEY; CR/SHF DAMPER	1	13-	
59	8-97329-602-0	WASHER; CR/SHF PULLEY	1	-12	
63	8-97374-385-1	PISTON	4	-12	LH
"	8-97374-384-1	PISTON	4	-12	RH
"	8-19301-155-1	PISTON	8	13-	LH & RH
68	20-5013-123	RING SET; PISTON, STANDARD	1	10-	SET; PR ENGINE
73	20-5093-124	METAL SET; CONN ROD, STD	1	10-	SET; PR ENGINE
83	8-97354-947-2	PIN; PISTON	8	-12	
"		PIN; PISTON	8	13-	WITH PISTON 8-19301-155-1
84	8-97352-631-1	ROD ASM; CONNROD	8	-12	
"	20-5021-001	ROD ASM; CONNROD	8	13-	
85	8-97383-127-2	BUSHIN; CONNROD	8	10-	
86	8-97226-123-1	BOLT; CONNROD	16	10-	
101a	9-09878-626-0	PIN; CR/SHF	3	-12	
"	9-94048-159-0	PIN; CR/SHF	3	13-	
101b	9-08160-816-0	PIN; CR/SHF	1	-12	
126	8-97226-136-0	RING; SNAP, PISTON PIN	16	-12	
"		RING; SNAP, PISTON PIN	16	13-	WITH PISTON 8-19301-155-1
202	8-98002-136-0	ROTOR; CRANK ANGLE SENSOR	1	-12	
203	9-08160-510-0	PIN; ROTOR	2	-12	
"	9-12623-048-0	PIN; ROTOR	2	13-	



09 | CRANKSHAFT, PISTON AND FLYWHEEL | PARTS LIST CONTINUED

KEY	PART NO.	PART NAME	PCS	Engine year	REMARKS
204	8-97329-600-0	BOLT; ROTOR	4	-12	
"	8-11611-123-0	BOLT; ROTOR	4	13-	
12	26-1718	BOLT	13	10-	
14	20-1052	HOUSING; FLYWHEEL, BW	1	10-	
15	20-1587	HOUSING; FLYWHEEL, MERCUSIER	1	10-	
21	8-97372-295-0	FLYWHEEL ASM	1	-12	INDUSTRIAL
"	8-12641-640-0	FLYWHEEL ASM	1	13-	INDUSTRIAL
"	20-5020-248	FLYWHEEL ASM	1	-12	MARINE
"	20-5020-249	FLYWHEEL ASM	1	13-	MARINE
22	20-5020-180	COUPLER; CENTAFLEX	1	10-	
23	26-1736	BOLT	14	10-	
25	26-1730	BOLT	2	10-	
26	26-1644	BOLT; SC SUPPORT	1	10-	
27	20-1019	COUPLING; STERNDRIVE, MERCUSIER	1	10-	

10 | TIMING GEAR CASE AND FLYWHEEL HOUSING

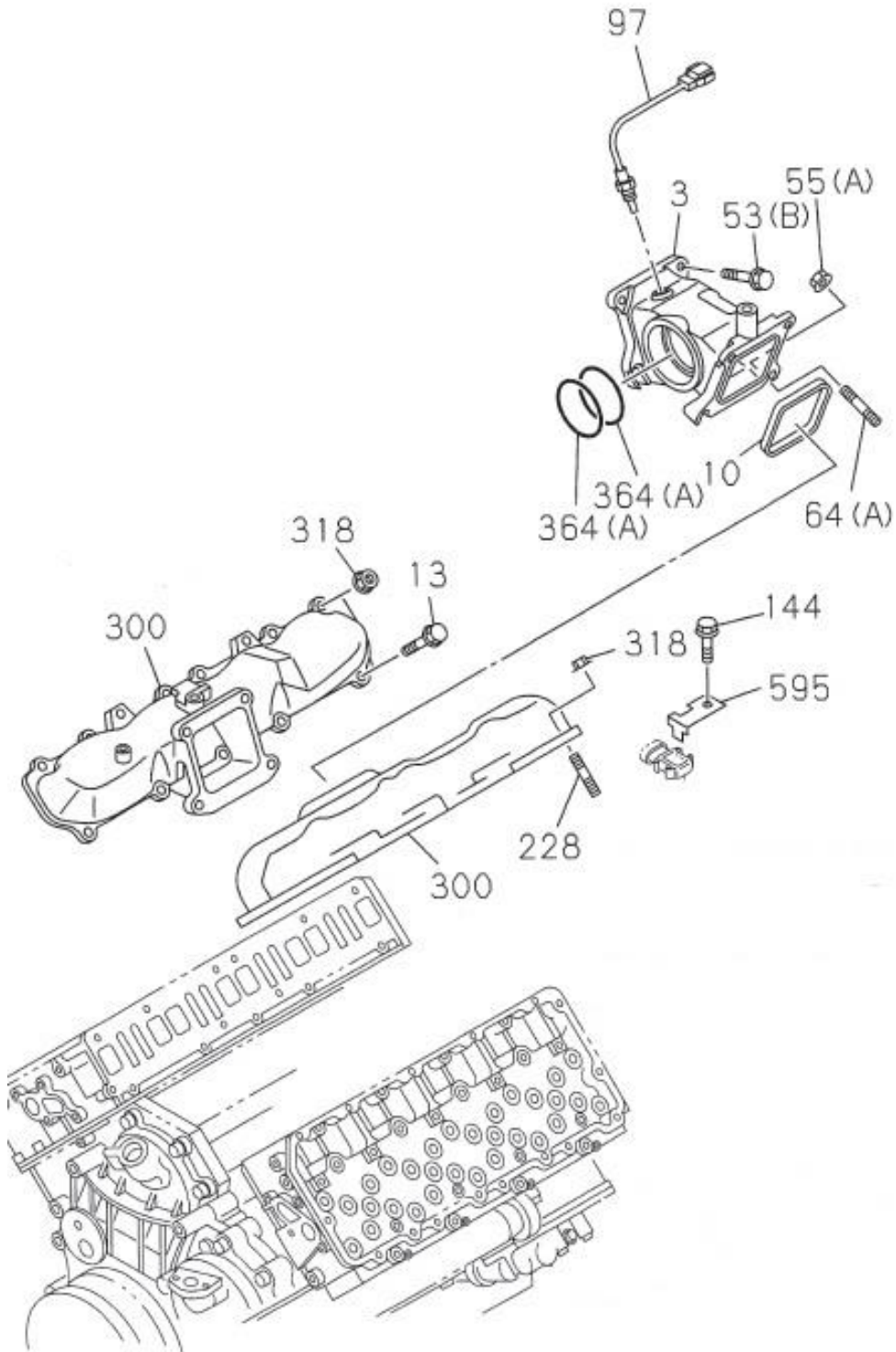




10 | TIMING GEAR CASE AND FLYWHEEL HOUSING | PARTS LIST

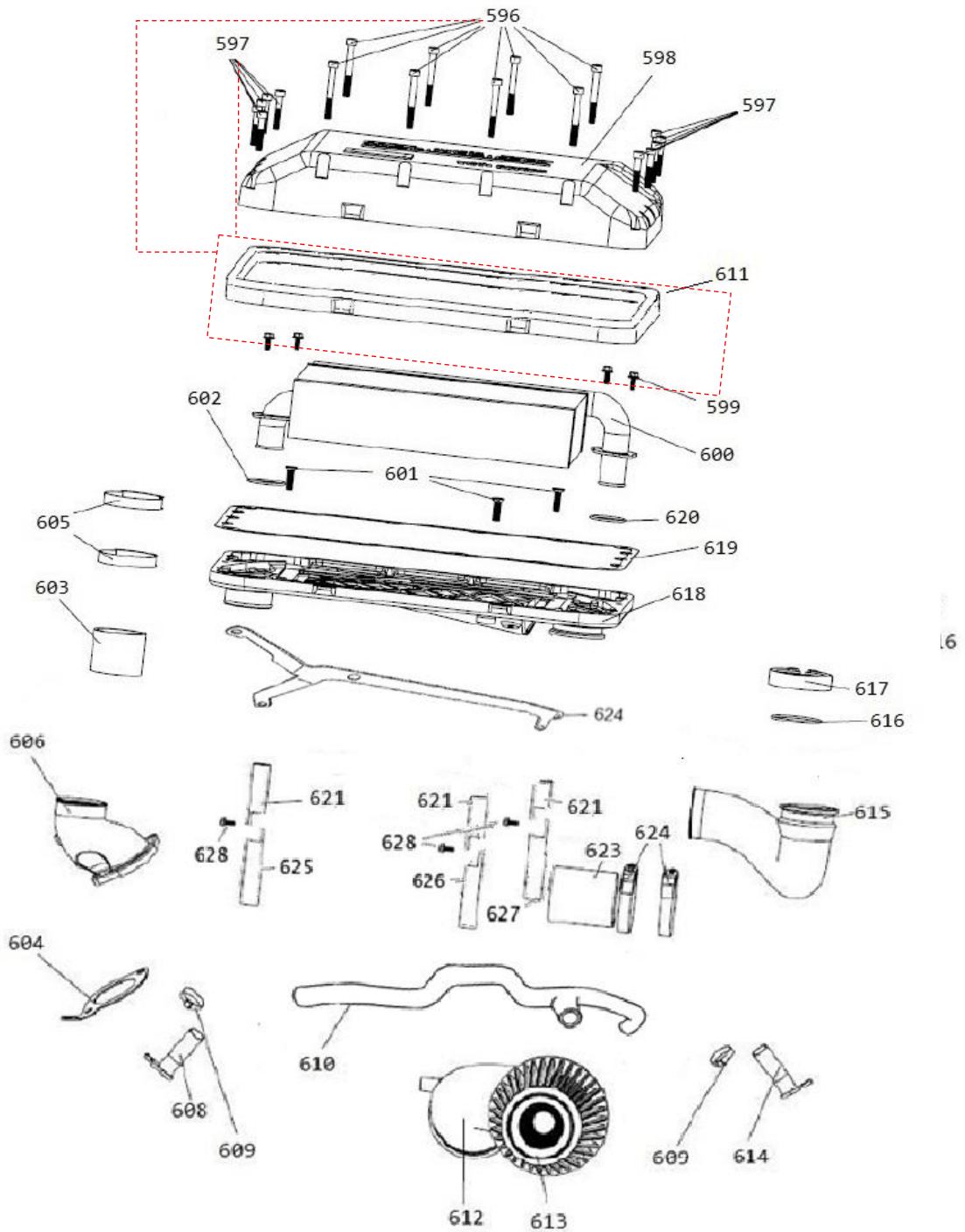
KEY	PART NO.	PART NAME	PCS	Engine year	REMARKS
1	8-97372-512-2	CASE; TIMING GEAR	1	10-	
2	8-98004-742-2	HOUSING; FLYWHEEL	1	10-	
51	0-58330-614-0	BOLT; GEAR CASE COVER	1	10-	
54	8-97372-513-0	COVER; GEAR CASE	1	10-	
62a	0-28650-835-0	BOLT; COVER	9	10-	
62b	0-28060-870-0	BOLT; COVER	2	10-	
62c	0-28050-850-0	BOLT; COVER	2	10-	
101	0-49140-860-0	STUD; WATER PUMP	1	10-	
175	8-97209-342-3	SEAL; OIL, CR/SHF RR	1	10-	ALSO INCLUDED IN GASKET SET
211a	0-28161-245-0	BOLT; HSG	13	10-	
211b	0-28161-260-0	BOLT; HSG	4	10-	
231	0-28650-820-0	BOLT; COVER	2	10-	
391	8-97209-341-3	SEAL; OIL, CR/SHF	1	10-	ALSO INCLUDED IN GASKET SET
446	1-09623-383-0	GASKET; COVER	2	10-	
478	8-97941-204-1	COVER; FLYWHEEL HSG	1	10-	
479	8-97229-043-1	GASKET; COVER	1	10-	ALSO INCLUDED IN GASKET SET
592	9-11229-058-1	DOWEL; CRANK CASE	2	10-	
593	8-97228-317-1	PIN; STRAIGHT	2	10-	
594	8-97328-859-0	VALVE; RELIEF	1	10-	
595a	9-09566-221-0	GASKET; VLV	1	10-	ALSO INCLUDED IN GASKET SET
595b	8-94173-412-0	GASKET; VLV	1	10-	ALSO INCLUDED IN GASKET SET
596	8-98023-872-0	FILLER; OIL	1	-12	
"	8-98099-902-0	FILLER; OIL	1	13-	
597a	0-28050-816-0	BOLT; OIL FILLER	1	10-	
597b	0-28650-820-0	BOLT; OIL FILLER	1	10-	
598	8-97350-955-0	CAP; OIL FILLER	1	-12	
"	8-12573-341-0	CAP; OIL FILLER	1	13-	
599	9-09567-335-0	GASKET; FILLER	1	10-	
620	8-97186-571-0	GASKET; GEAR CASE	1	10-	ALSO INCLUDED IN GASKET SET

11 | INLET MANIFOLD 1/2



11 | INLET MANIFOLD 2/2

MARINE





11 | INLET MANIFOLD | PARTS LIST

KEY	PART NO.	PART NAME	PCS	Engine year	REMARKS
3	8-97363-569-3	DUCT; INTAKE	1	10-	
10	8-97363-570-0	GASKET; INL PIPE TO MANIFOLD	2	10-	ALSO INCLUDED IN GASKET SET
13	0-28650-825-0	BOLT; INL MANIFOLD	18	10-	
53b	0-28650-625-0	BOLT; INL PIPE	6	10-	
55a	0-91180-106-0	NUT; INL PIPE	4	10-	
64a	0-41010-625-0	STUD; INL PIPE	2	10-	
97	8-97381-182-0	SENSOR; INTAKE AIR TEMPERATURE	1	10-	
144	0-28650-616-0	BOLT; BRKT FIX	1	10-	
228	0-49140-822-0	STUD; INL COVER	4	10-	
300	8-97363-571-0	COVER; INL MANIFOLD	1	10-	LEFT
"	8-97363-572-0	COVER; INL MANIFOLD	1	10-	RIGHT
318	0-91180-108-0	NUT; INL MANIFOLD	4	10-	
364a	20-5027-125	GASKET; DUCT INTAKE	2	10-	
595	8-97327-852-0	BRACKET; MAP SENSOR	1	10-	
596	26-1735	BOLT; INTERCOOLER COVER	8	10-	V8 300-400
"	26-1755	BOLT; INTERCOOLER COVER	8	10-	V8 450-500
"	26-1773	BOLT; INTERCOOLER COVER	8	10-	V8 550
597	26-1599	BOLT; INTERCOOLER COVER	10	10-	V8 300-400
"	26-1754	BOLT; INTERCOOLER COVER	10	10-	V8 450-500
"	26-1773	BOLT; INTERCOOLER COVER	10	10-	V8 550
598	20-5020-121	COVER; INTERCOOLER	1	10-	
599	26-1738	BOLT	4	10-	
600	20-5020-122	INTERCOOLER	1	10-	V8 300-400
"	20-5020-142	INTERCOOLER	1	10-	V8 450-500
"	20-5015-001	INTERCOOLER	1	10-	V8 550
601	26-1733	BOLT; INTERCOOLER BASE	3	10-	
602	20-5020-117	O-RING	1	10-	
603	20-5020-044	HOSE; PRESSURE, INTAKE	1	10-	
604	20-5020-015	SUPPORT; PIPE, PRESSURE	1	10-	
605	20-5020-118	CLAMP	1	10-	
606	20-5020-007	PIPE; INLET, INTERCOOLER	4	10-	
608	20-5020-031	DEV; CRANK VENTILATION	1	10-	RIGHT
609	36-1600	CLAMP	4	10-	
610	20-5020-225	HOSE; CRANK CASE VENTILATION	1	10-	
611	20-5020-145	DISTANCE; INTERCOOLER	1 or 2	10-	V8 450-500=1pcs, V8 550=2pcs

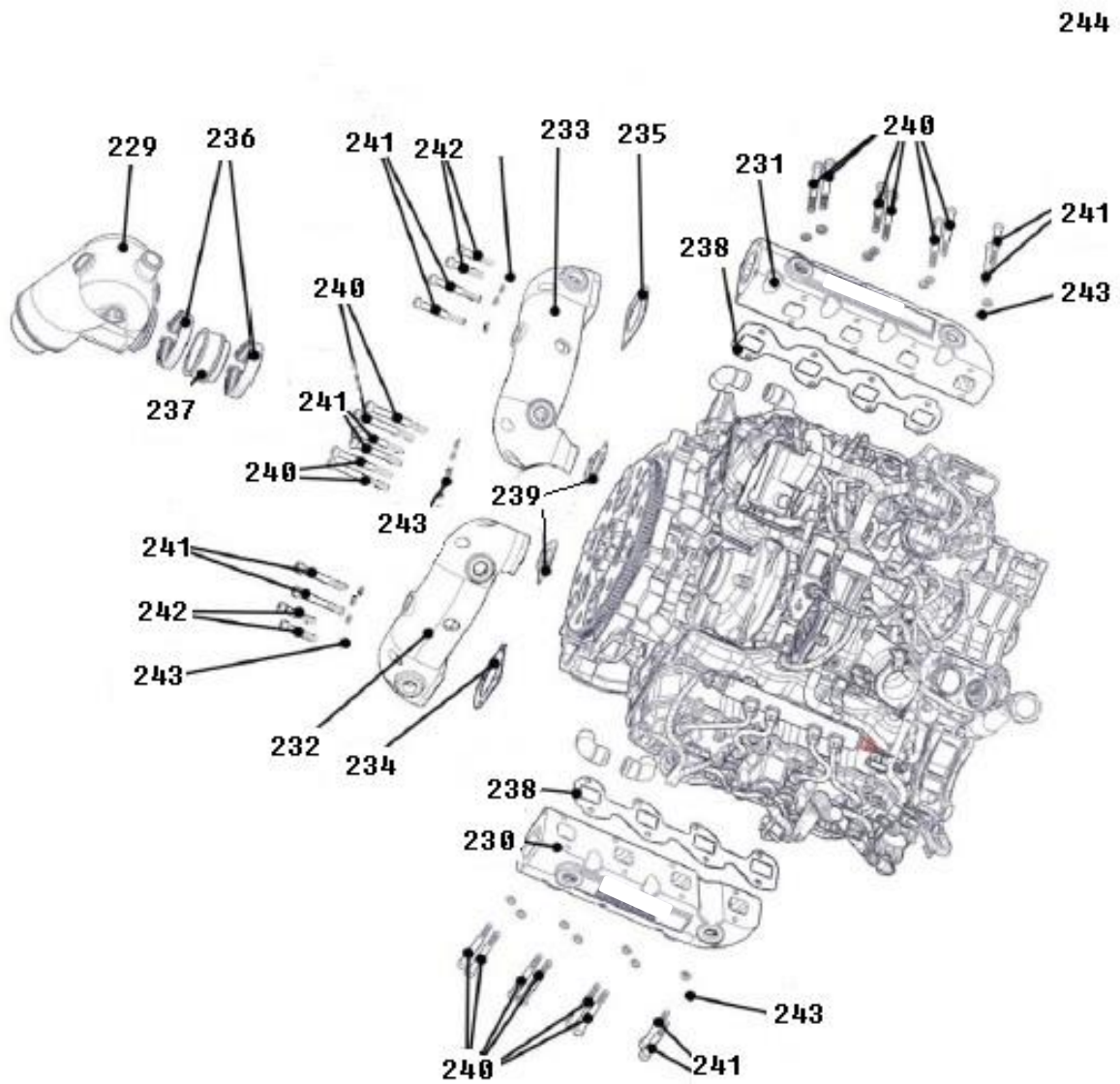


11 | INLET MANIFOLD | PARTS LIST CONTINUED

KEY	PART NO.	PART NAME	PCS	Engine year	REMARKS
612	20-5020-018	TUBE; INTAKE	1	10-	
613	20-5020-101	FILTER ASSY; AIR	1	10-	
614	20-5020-032	DEV; CRANK VENTILATION	1	10-	LEFT
615	20-5020-006	PIPE; TURBO-INTERCOOLER	1	10-	
616	20-5020-123	O-RING	1	10-	
617	20-5020-119	CLAMP	1	10-	
618	20-5020-024	BASE; INTERCOOLER	1	-12	
"	20-5020-120	BASE; INTERCOOLER	1	13-	
619	20-5020-144	GASKET; INTERCOOLER	2 or 3	10-	V8 450-500=2pcs, V8 550=3pcs
620	20-5020-116	O-RING	1	10-	
621	20-5020-220	PEDISTAL; INTERCOOLER, TOP	3	10-	
623	20-5020-049	HOSE; PRESSURE	1	10-	
624	20-5020-224	SUPPORT; I/C	1	13-	
625	20-5020-222	PEDISTAL; INTERCOOLER LWR 2	1	10-	
626	20-5020-221	PEDISTAL; INTERCOOLER LWR 1	1	10-	
627	20-5020-223	PEDISTAL; INTERCOOLER 3	1	10-	
628	26-1713	BOLT; INTERCOOLER PEDISTAL	3	10-	

12 | EXHAUST MANIFOLD

MARINE



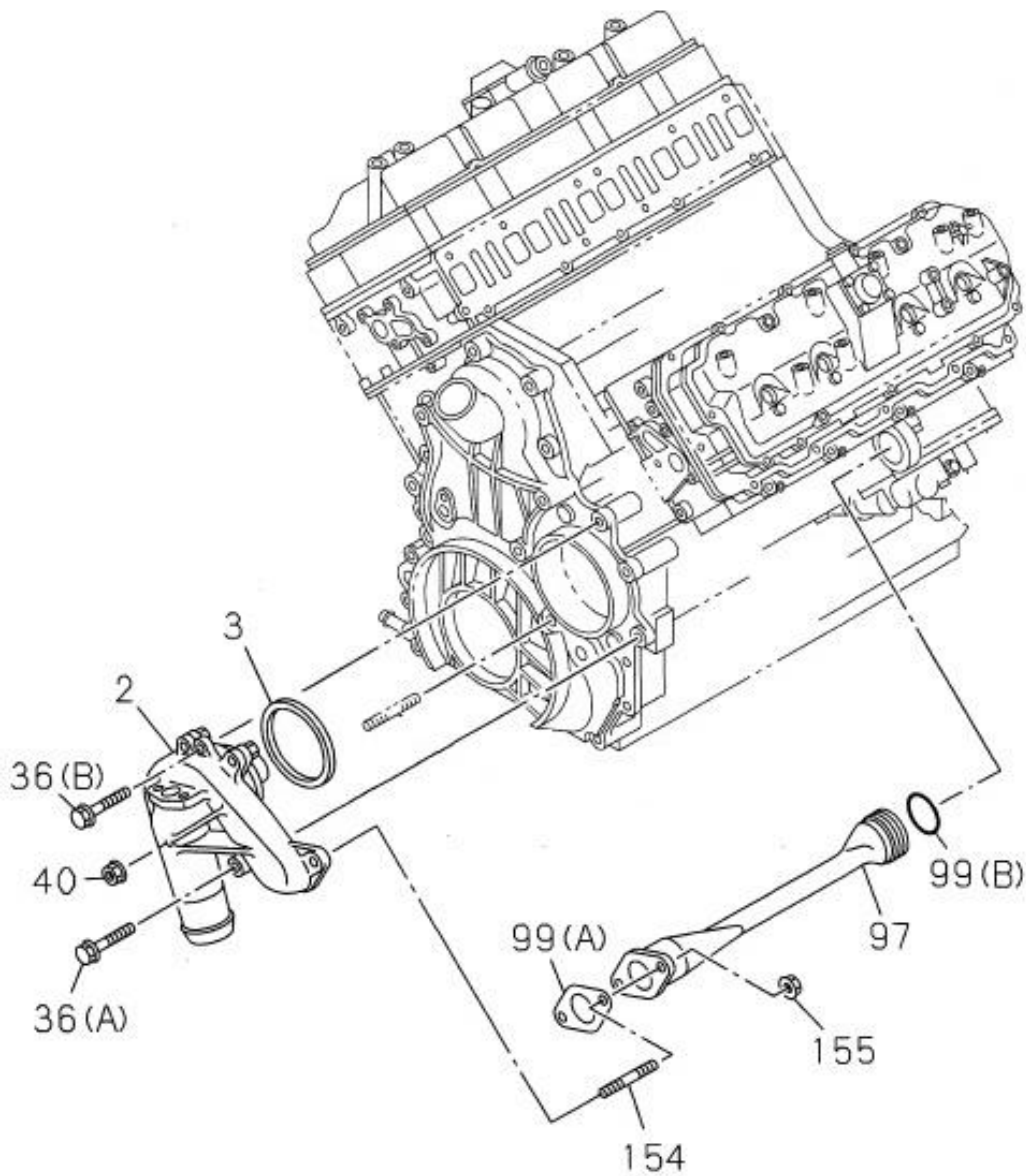


12 | EXHAUST MANIFOLD | PARTS LIST

KEY	PART NO.	PART NAME	PCS	Engine year	REMARKS
1	8-97224-587-6	MANIFOLD; EXHAUST	1	10-	RH
"	8-97224-586-5	MANIFOLD; EXHAUST	1	10-	LH
2	8-98002-804-0	GASKET; EXHAUST MANIFOLD TO HD	2	10-	ALSO INCLUDED IN GASKET SET
3	8-98036-633-0	PROTECTOR HEAT EXH MANIFOLD	1	10-	LH
"	8-98036-632-0	PROTECTOR HEAT EXH MANIFOLD	1	10-	RH
14	8-98004-170-0	WASHER; PL, EXH MANIFOLD	16	10-	
15b	8-98063-138-0	BOLT; EXH MANIFOLD	10	10-	
15c	8-98063-321-0	BOLT; EXH MANIFOLD	1	10-	LH
"	8-98063-139-0	BOLT; EXH MANIFOLD	1	10-	RH
18	8-97096-192-1	NUT; EXH MANIFOLD	4	10-	
21a	0-28650-616-0	BOLT; HEAT PROTECTOR	8	10-	
75	8-97378-073-0	STUD; EXH MANIFOLD	4	10-	
229	20-5020-004	RISER; TURBOCHARGER	1	10-	
230	20-5020-050	MANIFOLD; EXHAUST	1	10-	RH
231	20-5020-051	MANIFOLD; EXHAUST	1	10-	LH
232	20-5020-052	PIPE; TURBO	1	10-	RH
233	20-5020-053	PIPE; TURBO	1	10-	LH
234	20-5020-126	GASKET; EXHAUST	1	10-	RH
235	20-5020-127	GASKET; EXHAUST	1	10-	LH
236	20-5010-010	CLAMP; EXHAUST RISER	2	10-	
237	10-1131	DISTANCE RISER	1	10-	V8 300-500
"	20-5020-067	DISTANCE RISER	1	10-	V8 550
238	8-98002-804-0	GASKET; EXHAUST MANIFOLD	2	10-	
239	8-97192-618-3	GASKET; EXH MANIFOLD TO TURBO	2	10-	
240	26-1732	BOLT; EXH MANIFOLD	16	10-	
241	26-1731	BOLT; EXH MANIFOLD	10	10-	
242	26-1729	BOLT; PIPE, TURBO	4	10-	
243	26-1728	WASHER	30	10-	

13 | WATER PUMP (CIRCULATING)

For sea water pump see; "30 Cooling system (sea water)"

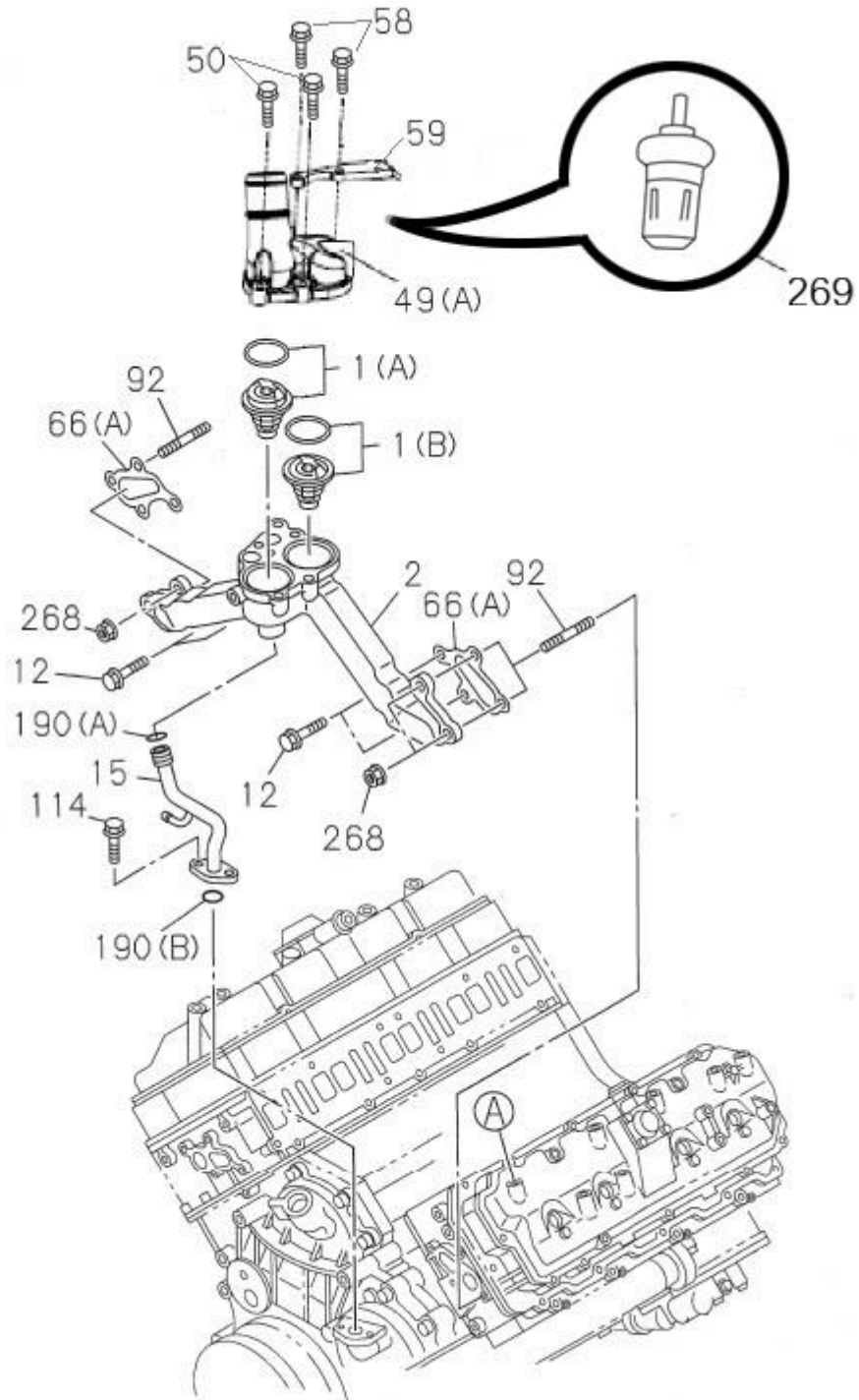




13 | WATER PUMP (CIRCULATING) | PARTS LIST

KEY	PART NO.	PART NAME	PCS	Engine year	REMARKS
2	8-98031-233-0	PUMP ASM; WATER	1	10-	
3	9-09567-406-0	GASKET; PUMP TO C/BL	1	10-	
36a	0-28050-800-0	BOLT; WATER PUMP TO C/BL	1	10-	
36b	0-28050-850-0	BOLT; WATER PUMP TO C/BL	1	10-	
40	0-91180-108-0	NUT; WATER PUMP	1	10-	
97	8-97352-450-1	PIPE; WATER	1	10-	
99a	8-97352-449-0	GASKET; WATER PIPE	1	10-	ALSO INCLUDED IN GASKET SET
99b	9-09568-344-0	GASKET; WATER PIPE	1	10-	ALSO INCLUDED IN GASKET SET
154	0-49140-818-0	STUD; PIPE	2	10-	
155	0-91180-108-0	NUT; PIPE	2	10-	

14 | THERMOSTAT AND HOUSING

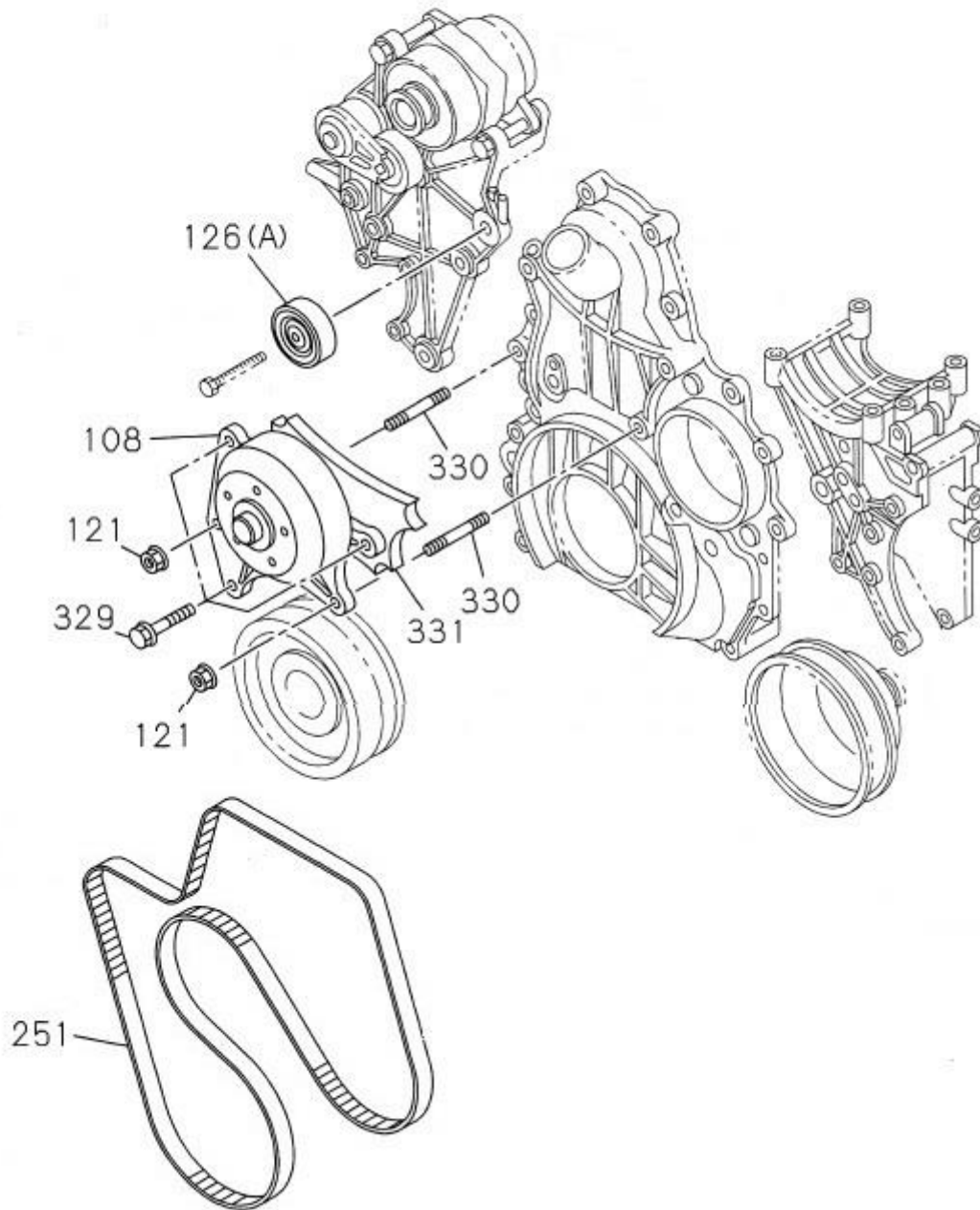




14 | THERMOSTAT AND HOUSING | PARTS LIST

KEY	PART NO.	PART NAME	PCS	Engine year	REMARKS
1a	10-1072	THERMOSTAT	1	10-	60° C, MARINE SPEC.
1b	10-1071	THERMOSTAT	1	10-	58° C MARINE SPEC.
2	8-97383-685-0	HOUSING; THERMOSTAT	1	-12	
"	8-12642-719-0	HOUSING; THERMOSTAT	1	13-	
12	0-28650-825-0	BOLT; HSG	4	10-	
15	8-98042-817-0	PIPE; BYPASS	1	10-	
49a	20-5020-005	HOUSING; THERMOSTAT	1	10-	
50	26-1719	BOLT	4	10-	
58	26-1599	BOLT	2	10-	
59	20-5020-089	CATCHER; PRESSURE PIPE	1	10-	
60	9-09568-345-0	GASKET; OUTLET PIPE	1	10-	ALSO INCLUDED IN GASKET SET
66b	8-97300-793-0	GASKET; THERMOSTAT HSG	1	10-	ALSO INCLUDED IN GASKET SET
92	0-49140-820-0	STUD; HSG THERMOSTAT	4	10-	
114	0-28650-825-0	BOLT; BYPASS PIPE	2	10-	
190a	9-09568-225-0	GASKET; BYPASS PIPE	1	10-	ALSO INCLUDED IN GASKET SET
190b	9-09568-233-0	GASKET; BYPASS PIPE	1	10-	ALSO INCLUDED IN GASKET SET
268	0-91180-108-0	NUT; HSG	4	10-	
269	10-1073	THERMOSTAT; TURBOCHARGER	1	10-	

15 | FAN AND SERPENTINE BELT

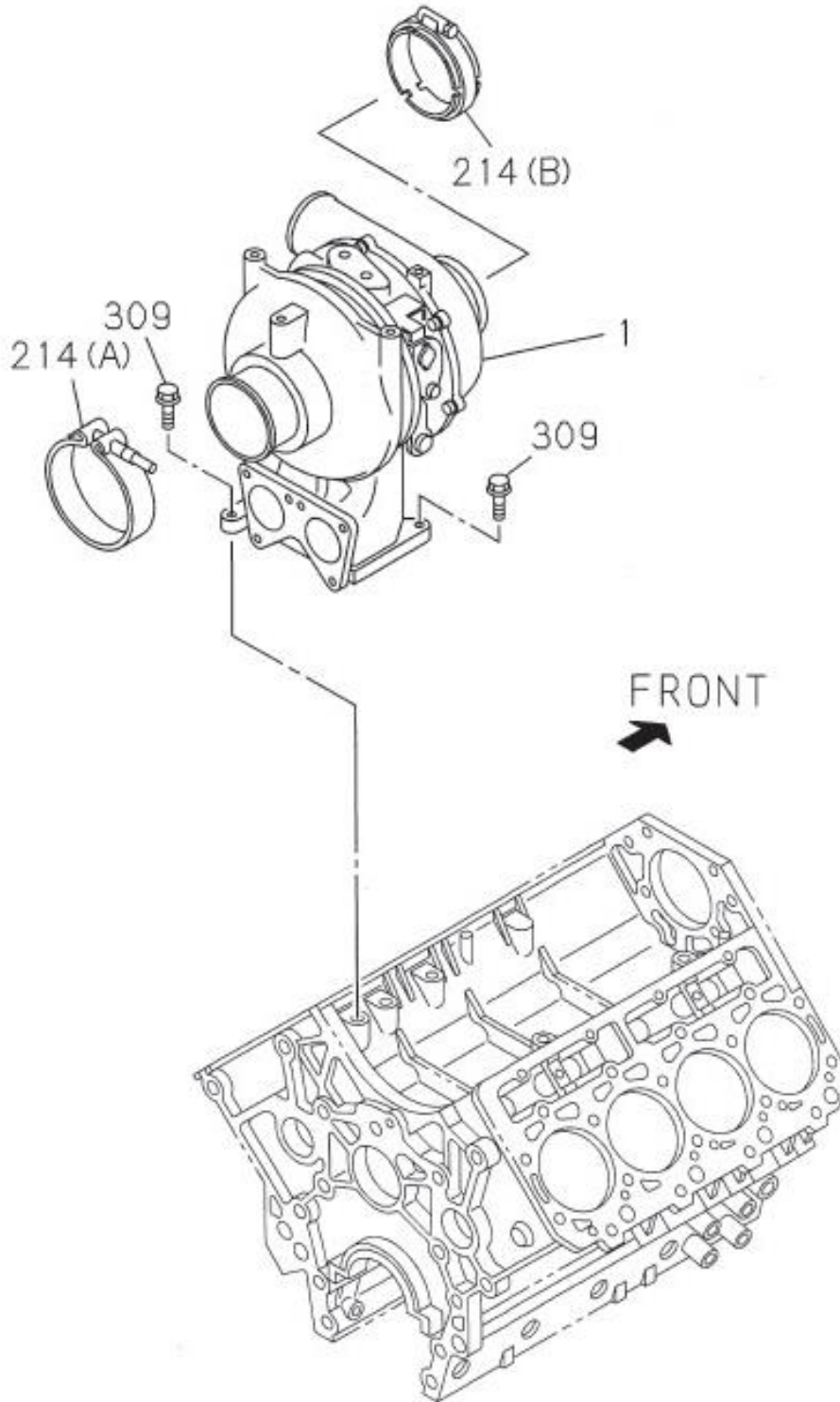




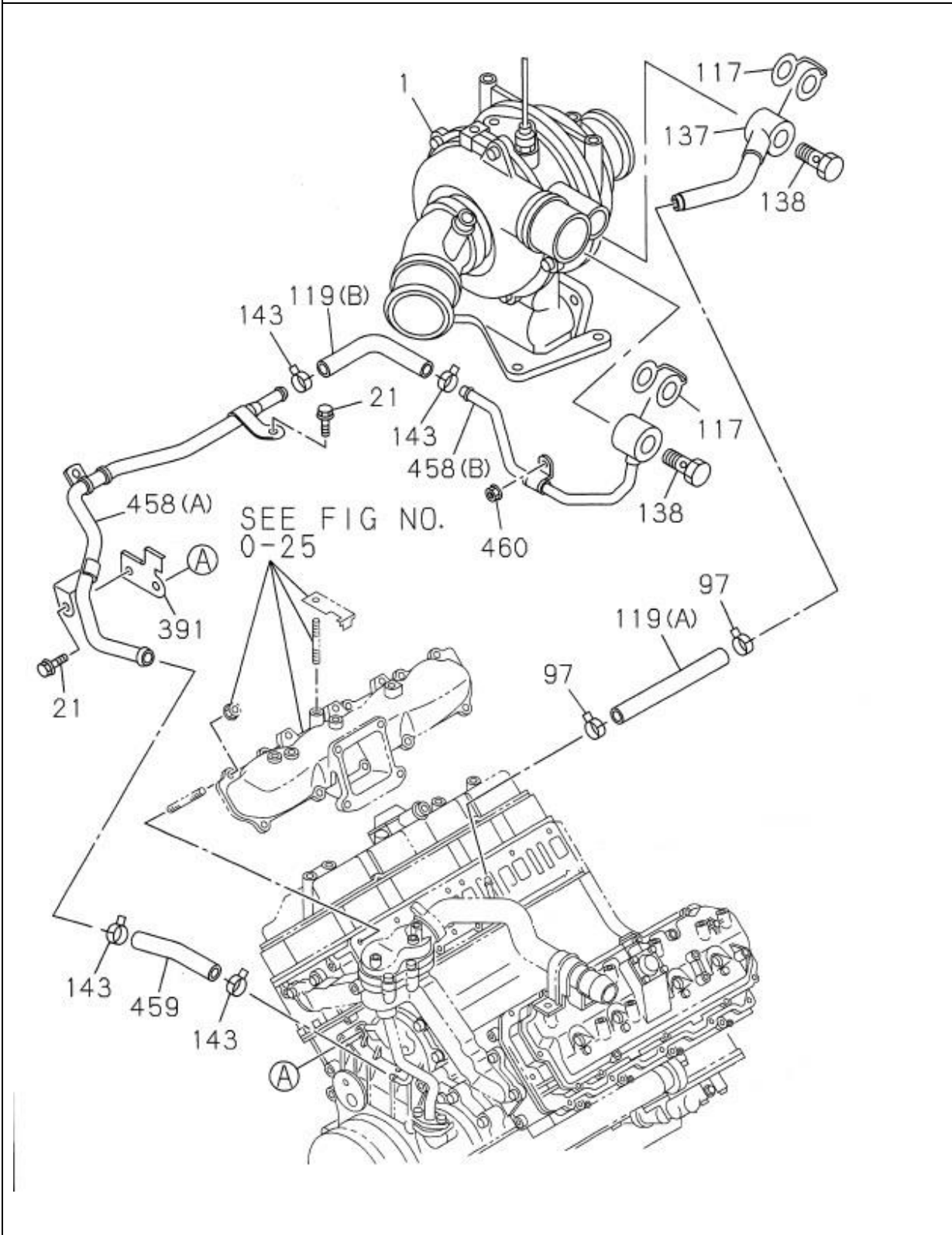
15 | FAN AND SERPENTINE BELT | PARTS LIST

KEY	PART NO.	PART NAME	PCS	Engine year	REMARKS
75	8-12555-617-0	BRACKET; IDLE, PULLEY	1	10-	
108	8-97375-192-1	CENTER; COOLING FAN	1	10-	
121	0-91180-110-0	NUT; FAN CENTER	2	10-	
126a	8-97233-352-0	PULLEY; IDLE	1	-12	
"					
251	20-5020-041	BELT; V8 W/O POWER STEERING	1	10-	For engines built to custom specifications please contact BUKH for ordering!
"	20-5020-040	BELT; V8 W POWER STEERING	1	10-	For engines built to custom specifications please contact BUKH for ordering!
329	0-28151-090-0	BOLT; FAN CENTER	3	10-	
330	0-49241-040-0	STUD; FAN CENTER	2	10-	
331	8-98017-638-0	SPACER; RUBBER, FAN CENTER	1	10-	

16 | TURBOCHARGER SYSTEM 1/2



16 | TURBOCHARGER SYSTEM 2/2



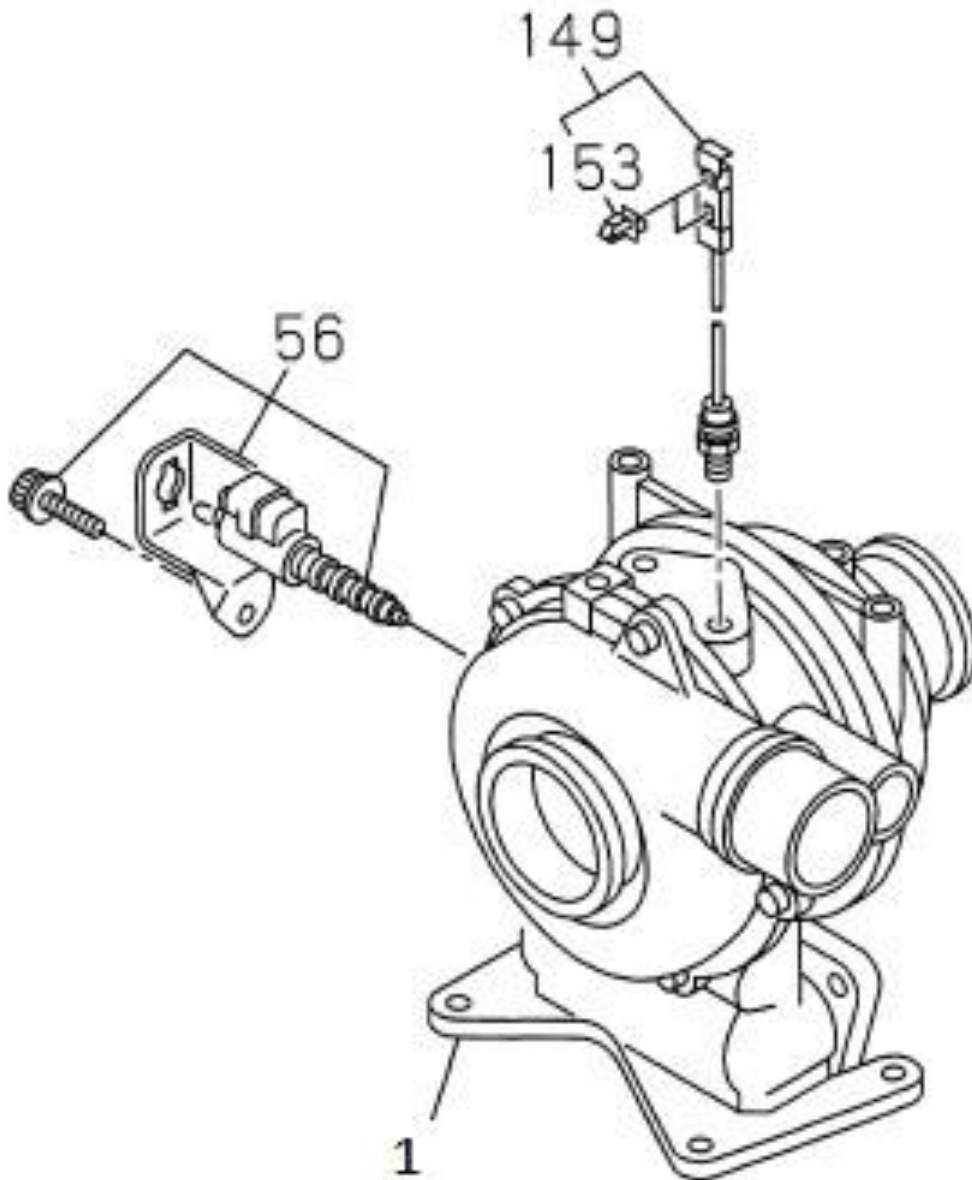


16 | TURBOCHARGER SYSTEM | PARTS LIST

KEY	PART NO.	PART NAME	PCS	Engine year	REMARKS
1	8-98021-617-0	TURBOCHARGER	1	10-	V8 300 - 500 Please contact BUKH before ordering
1	10-1127	TURBOCHARGER	1	10-	V8 300 - 500* Please contact BUKH before ordering
1	20-5090-001	TURBOCHARGER	1	18-	V8 550 Please contact BUKH before ordering
21	0-28650-820-0	BOLT; PIPE	1	10-	
97	8-97354-978-0	CLIP; HOSE TURBOCHARGER INLET	2	10-	
117	8-97373-522-0	GASKET; WATER PIPE	1	10-	ALSO INCLUDED IN GASKET SET
119a	0-03559-300-0	HOSE; WATER TURBOCHARGER	1	10-	
119b	8-97383-472-0	HOSE; WATER TURBOCHARGER	1	10-	
137	8-97372-025-0	PIPE; WATER TURBOCHARGER IN	1	10-	
138	8-97382-660-0	BOLT; EYE WATER PIPE	1	10-	
143	8-97329-628-0	CLIP; HOSE, TURBOCHARGER OUTLET	4	10-	
214a	8-97354-769-0	BAND "V" TURBOCHARGER	1	10-	NON MARINE, FOR MARINE PLEASE SEE SECTION 12
214b	8-98045-788-0	BAND "V" TURBOCHARGER	1	10-	NON MARINE, FOR MARINE PLEASE SEE SECTION 12
309	0-28761-235-0	BOLT; TURBOCHARGER	3	-12	
391	8-97354-868-0	BRACKET; WATER PIPE	1	10-	
458a	8-97372-026-0	PIPE; WATER TURBOCHARGER	1	10-	
458b	8-97372-024-1	PIPE; WATER TURBOCHARGER	1	10-	
459	0-03561-300-0	HOSE; WATER	1	-12	
"	0-94013-384-0	HOSE; WATER	1	13-	
460	0-91180-106-0	NUT; PIPE	2	10-	

*Retrofit for older models may be available, for information please contact BUKH.

17 | TURBOCHARGER



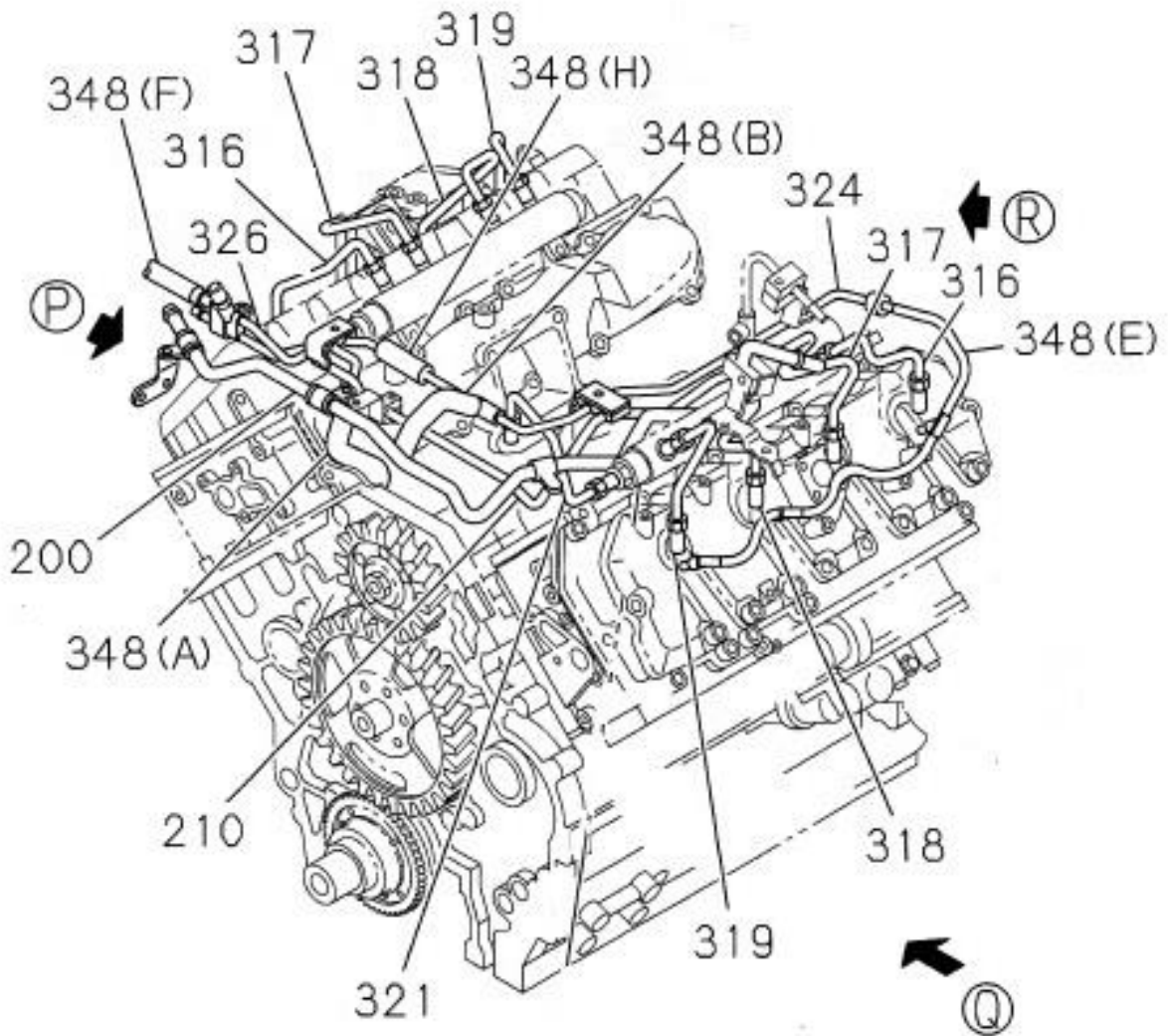


17 | TURBOCHARGER | PARTS LIST

KEY	PART NO.	PART NAME	PCS	Engine year	REMARKS
1	8-98021-617-0	TURBOCHARGER	1	10-	V8 300 - 500 Please contact BUKH before ordering
1	10-1127	TURBOCHARGER	1	10-	V8 300 - 500* Please contact BUKH before ordering
1	20-5090-001	TURBOCHARGER	1	18-	V8 550 Please contact BUKH before ordering
56	8-98061-571-0	CONTROL ASM; TURBOCHARGER	1	10-	
149	8-98061-570-0	SENSOR; POSITION	1	10-	
153	8-97376-381-0	CLIP; SENSOR, POSITION	1	10-	

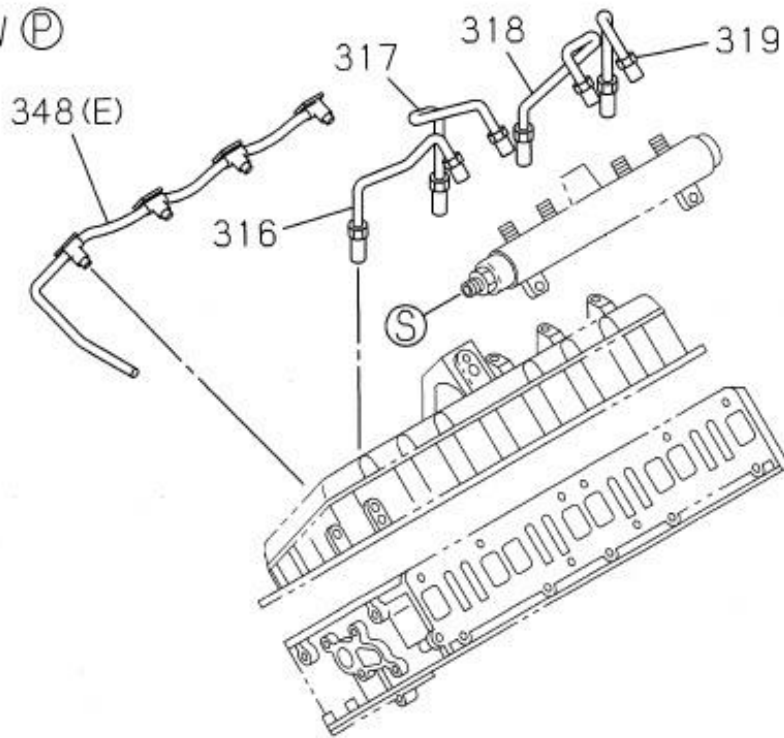
*Retrofit for older models may be available, for information please contact BUKH.

18 | FUEL INJECTION SYSTEM 1/3

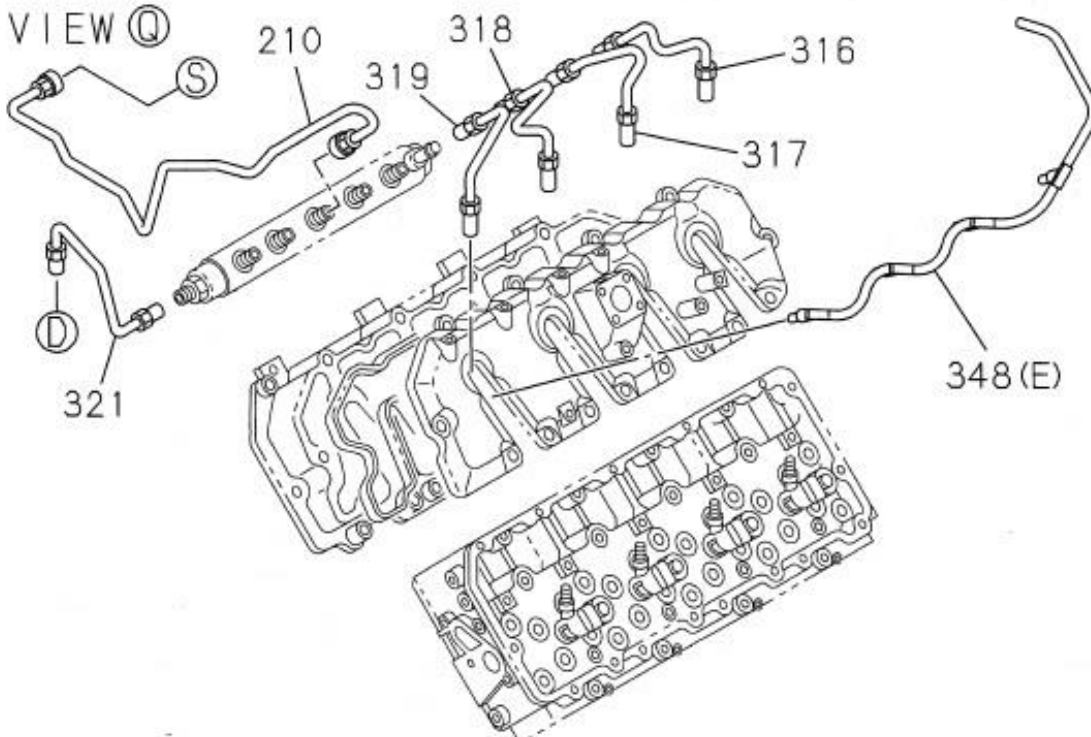


18 | FUEL INJECTION SYSTEM 2/3

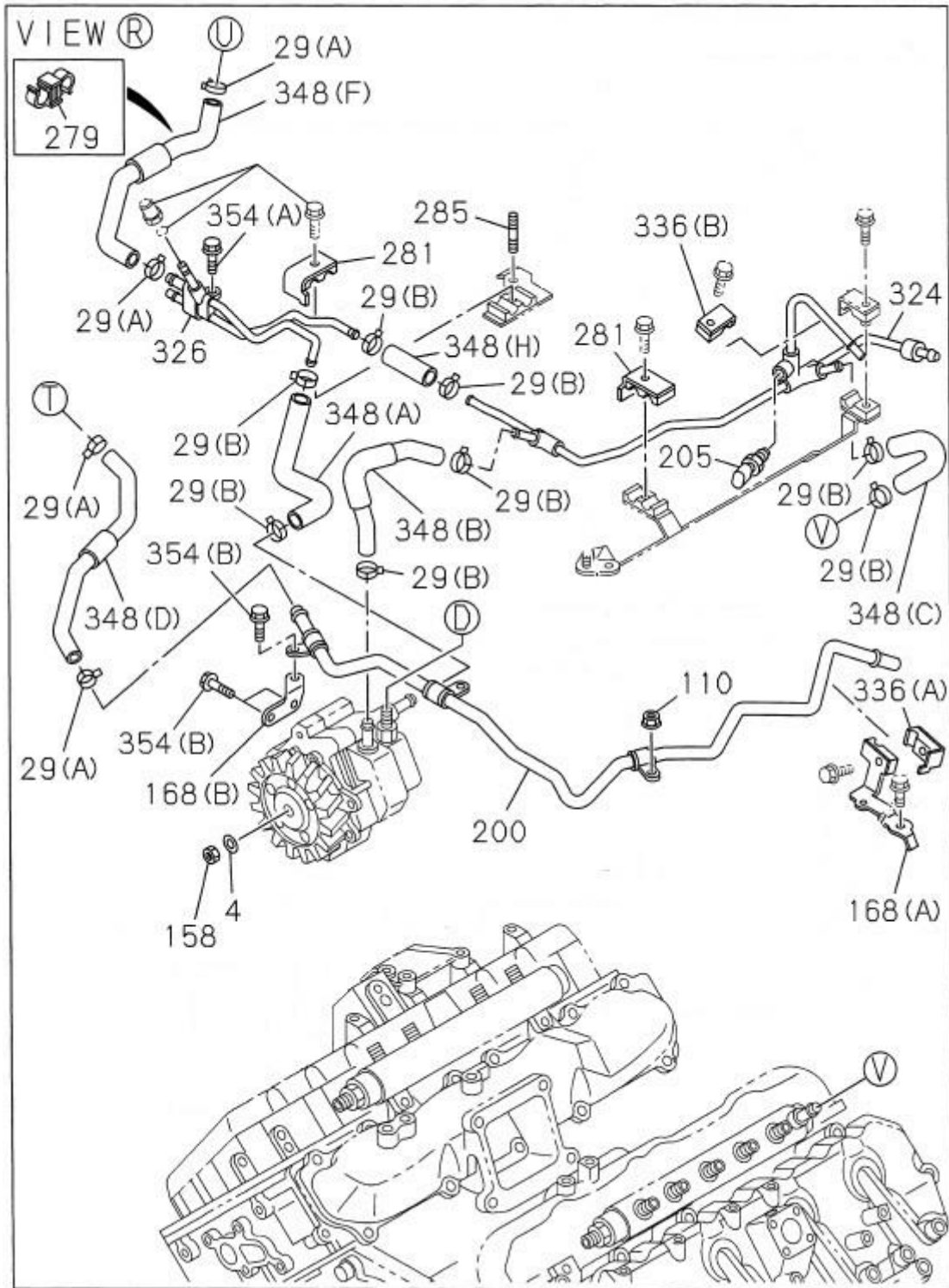
VIEW P



VIEW Q



18 | FUEL INJECTION SYSTEM 3/3

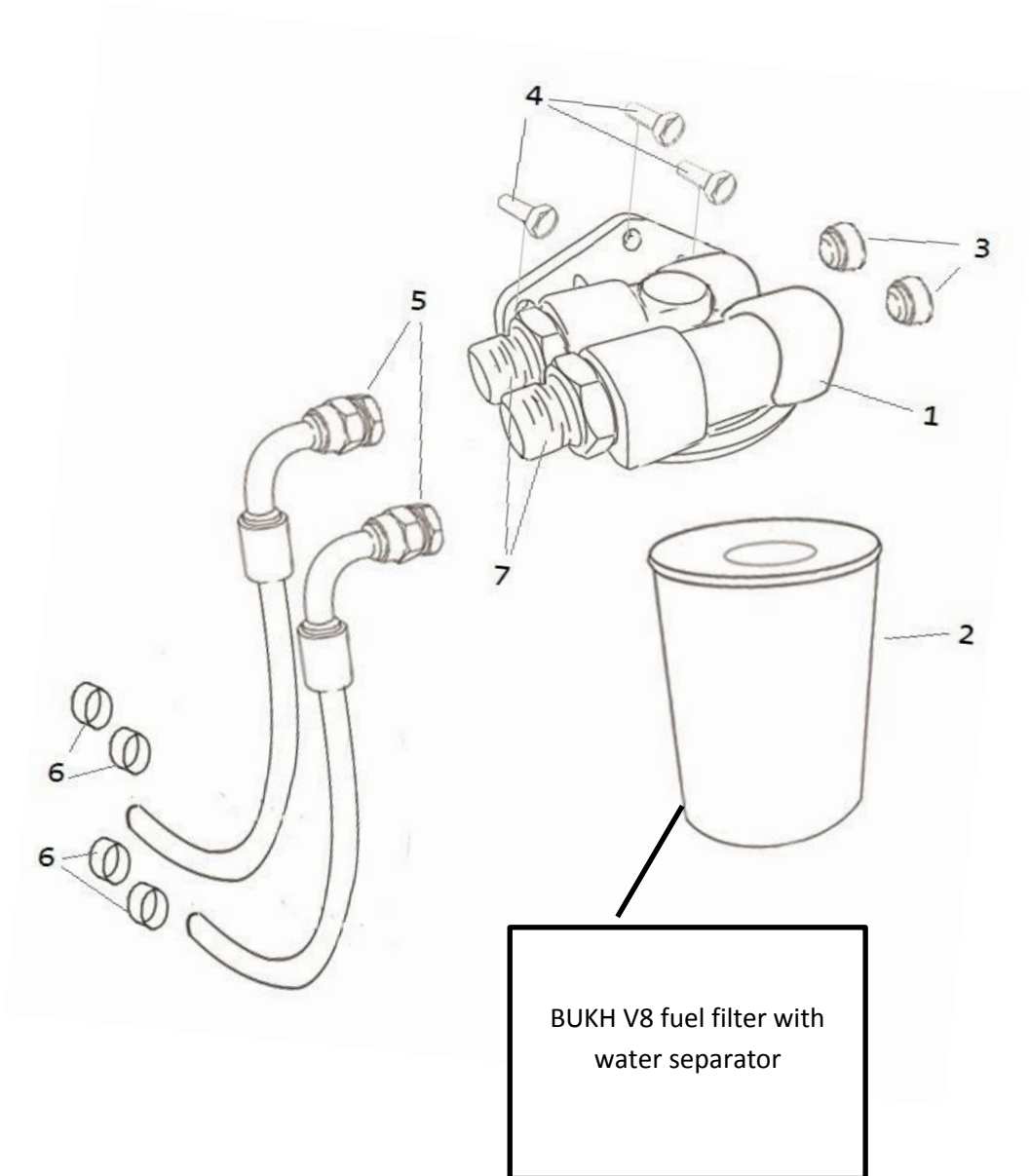




18 | FUEL INJECTION SYSTEM | PARTS LIST

KEY	PART NO.	PART NAME	PCS	Engine year	REMARKS
4	0-91614-618-0	WASHE; INJ PUMP	1	10-	
29a	8-97329-628-0	CLIP; HOSE	4	10-	
29b	8-97329-627-0	CLIP; HOSE	8	10-	
110	0-91180-108-0	NUT; CLIP	2	10-	
158	0-91111-518-0	NUT; INJ PUMP	1	10-	
168a	8-98041-596-1	BRACKET; FUEL PIPE	1	10-	
168b	8-98043-625-1	BRACKET; FUEL PIPE	1	10-	
200	8-97381-437-0	PIPE; FUEL FEED	1	10-	
205	8-97224-993-0	SENSOR; FUEL TEMP	1	10-	
210	8-98006-529-0	PIPE; INJ. C/R	1	10-	
279	8-94323-068-0	CLIP; FUEL HOSE	1	10-	
281	8-97372-033-0	CLIP	2	10-	
285	0-49140-820-0	STUD; BRKT	1	10-	
316	8-98006-523-0	PIPE; INJ NO 1 & 8	2	10-	
317	8-98006-524-0	PIPE; INJ NO 3 & 6	2	10-	
318	8-98006-526-0	PIPE; INJ NO 4 & 5	2	10-	
319	8-98006-527-0	PIPE; INJ NO 2 & 7	2	10-	
321	8-98006-530-0	PIPE; FUNKTION BLOCK TO RAIL	1	10-	
324	8-98042-718-0	PIPE; FUEL RETURN	1	10-	
326	8-97376-410-1	PIPE; FUEL	1	10-	
336a	8-97372-034-0	CLIP; FUEL PIPE	1	10-	
336b	8-98011-264-0	CLIP; FUEL PIPE	1	10-	
348a	8-97307-701-1	HOSE; FUEL	1	10-	
348b	8-97379-801-0	HOSE; FUEL	1	10-	
348c	8-97321-375-1	HOSE; FUEL	1	10-	
348d	8-97364-969-0	HOSE; FUEL	1	10-	
348e	8-98062-291-0	HOSE; FUEL	1	10-	
348f	8-97372-037-0	HOSE; FUEL	1	10-	
348h	8-97379-800-0	HOSE; FUEL	1	10-	
354a	0-28650-830-0	BOLT; FUEL PIPE	1	10-	
354b	0-28650-820-0	BOLT; FUEL PIPE	2	10-	

19 | FUEL FILTER AND BRACKET

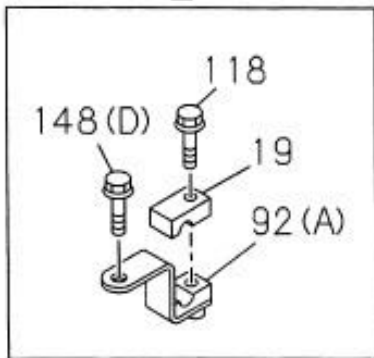
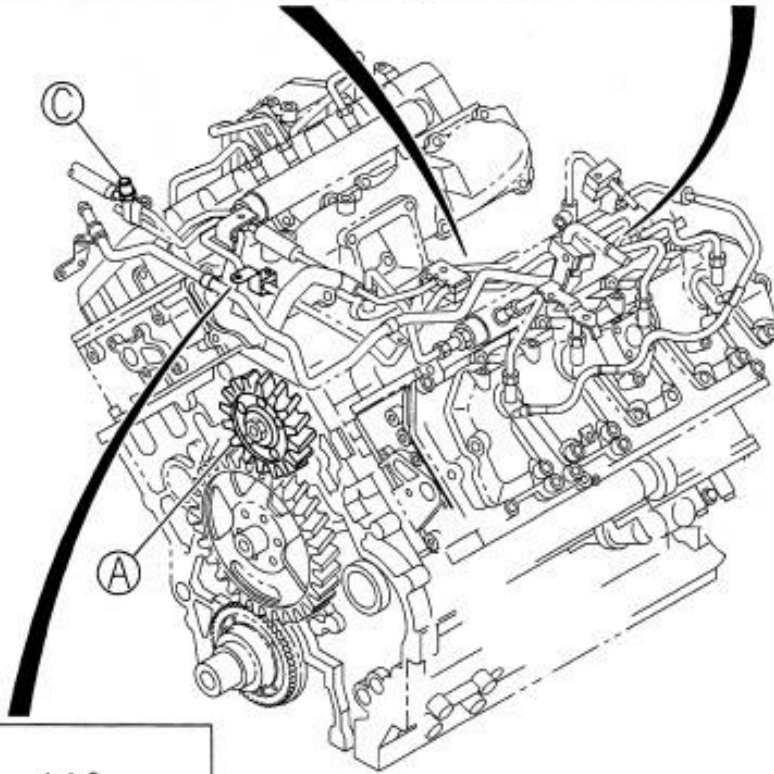
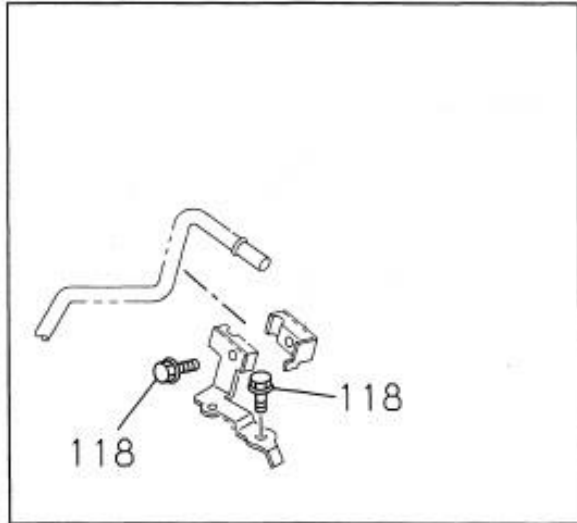
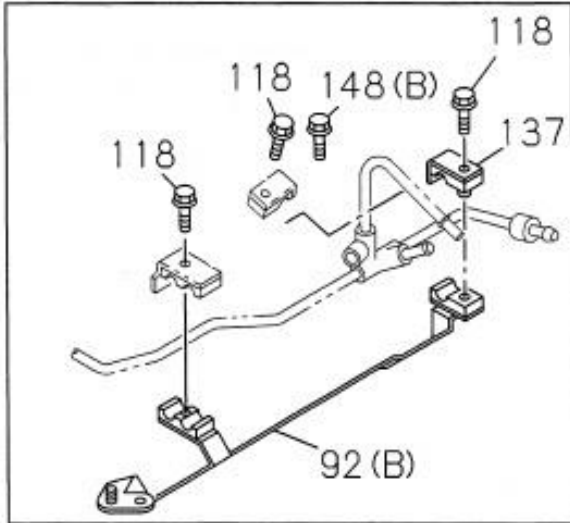




19 | FUEL FILTER AND BRACKET | PARTS LIST

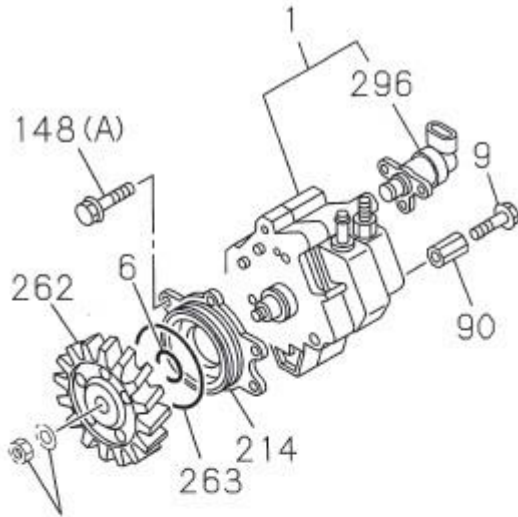
KEY	PART NO.	PART NAME	PCS	Engine year	REMARKS
1	18-1238	ADAPTER; REMOTE OIL UPPER SINGLE	1	10-	
2	35-1231	FILTER ASSY; FUEL	1	10-	
3	19-1631	PLUG	2	10-	
4	26-1713	BOLT	3	10-	
5	32-1060	HOSE; FUEL	2	10-	
6	36-1620	CLAMP	4	10-	
7	83-1137	FITTING; OIL	2	10-	

20 | FUEL PUMP AND PIPE 1/2

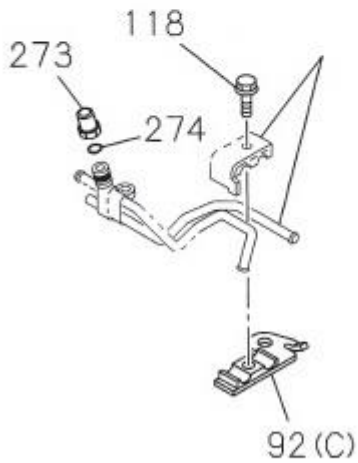
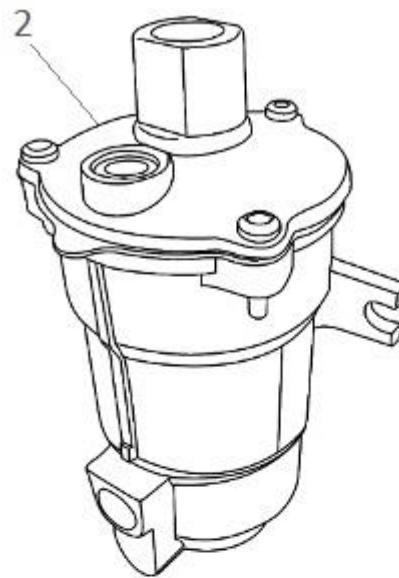


20 | FUEL PUMP AND PIPE 2/2

High pressure fuel system



Fuel lift pump

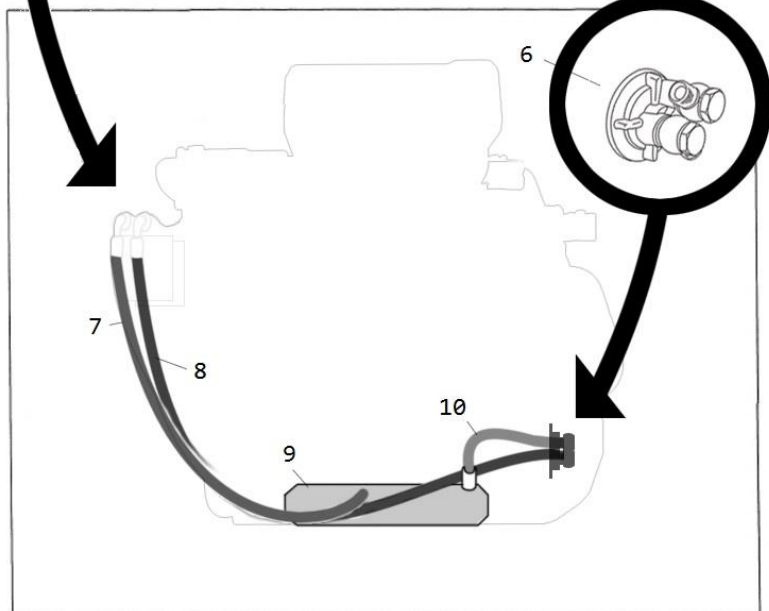
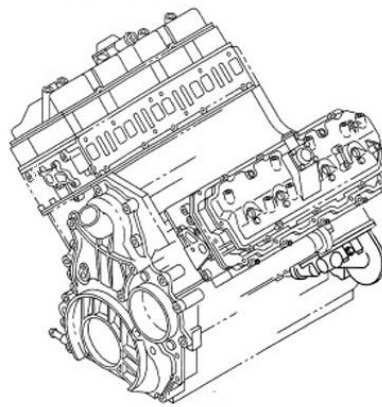
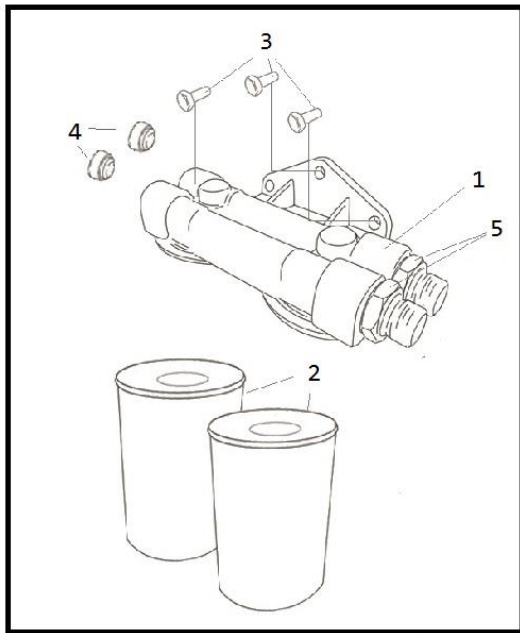




20 | FUEL PUMP AND PIPE | PARTS LIST

KEY	PART NO.	PART NAME	PCS	Engine year	REMARKS
1	8-97361-351-5	PUMP ASM; FUEL	1	10-	
2	10-1115	PUMP; FUEL LIFT	1	10-	
6	8-97351-488-0	GASKET; FUEL PUMP	1	10-	
9	0-28060-870-0	BOLT; FUEL PUMP	3	10-	
19	8-97329-110-0	CLIP; FUEL PIPE	1	10-	
90	8-97329-615-0	TUBE; DIST	3	10-	
92a	8-97381-438-1	BRACKET; FUEL PIPE	1	10-	
92b	8-97367-035-0	BRACKET; FUEL PIPE	1	10-	
92c	8-97372-031-0	BRACKET; FUEL PIPE	1	10-	
118	0-28650-630-0	BOLT; CLIP, FUEL PIPE	3	10-	
"	0-28650-635-0	BOLT; CLIP, FUEL PIPE	3	10-	
137	8-97372-032-0	CLIP; BRKT	1	10-	
148a	8-97329-626-0	BOLT; BRKT	2	10-	
148b	0-28650-825-0	BOLT; BRKT	1	10-	
148c	0-28650-840-0	BOLT; BRKT	3	10-	
148d	0-28650-820-0	BOLT; BRKT	1	10-	
214	8-97328-578-2	BRACKET; FUEL PUMP	1	10-	
262	8-97372-516-1	GEAR; PUMP	1	10-	
263	8-98004-323-0	GASKET; BRACKET	1	10-	ALSO INCLUDED IN GASKET SET
273	8-98018-197-0	VALVE; FUEL PRIMING	1	10-	
274	9-09563-106-0	GASKET; VLV	1	10-	
296	8-97384-667-0	SOLENOID ASM; FUEL PUMP	1	10-	

21 | OIL FILTER AND BRACKET

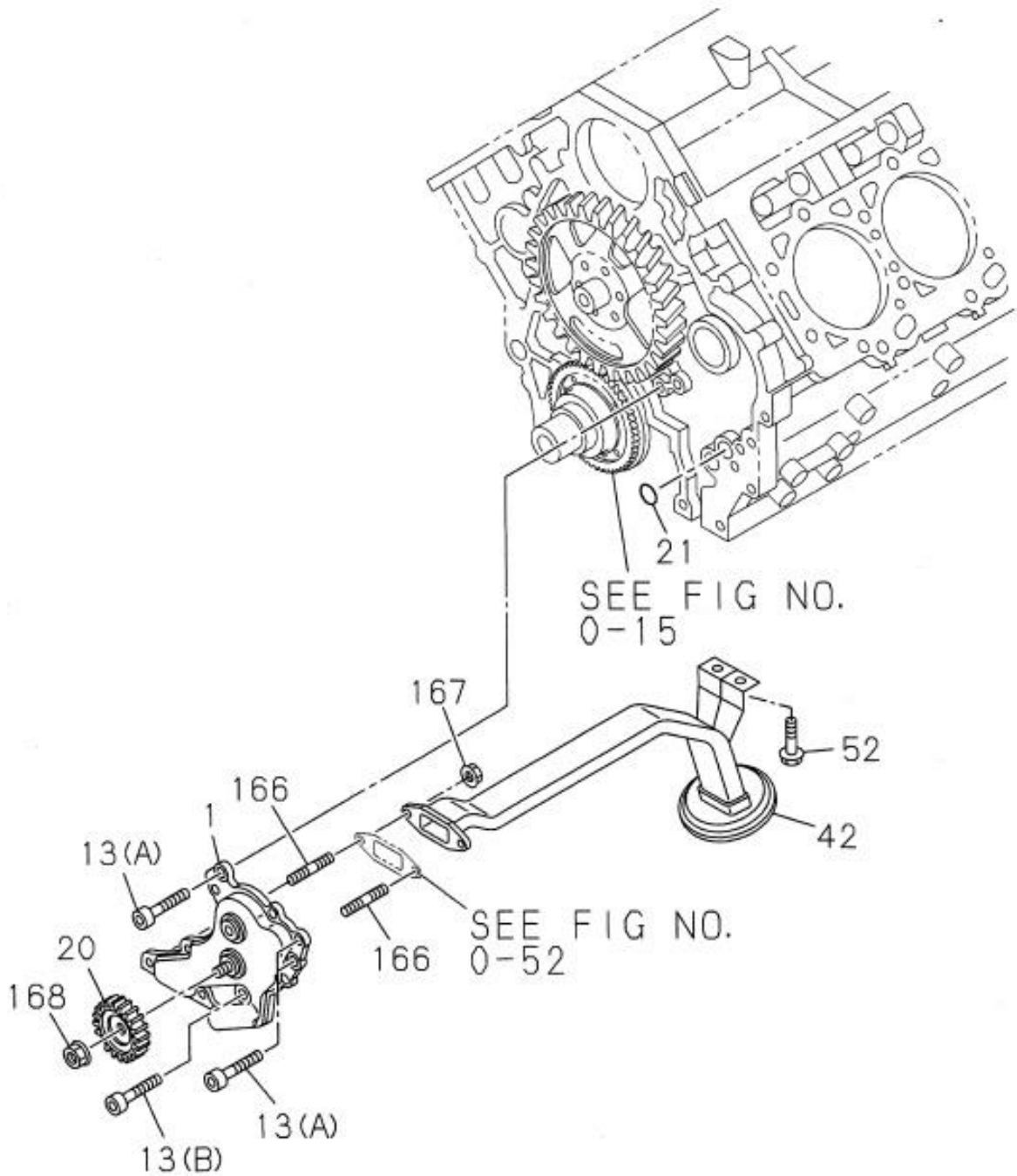




21 | OIL FILTER AND BRACKET | PARTS LIST

KEY	PART NO.	PART NAME	PCS	Engine year	REMARKS
1	18-1398	HOUSING; FILTER, DOUBLE	1	10-	
2	35-1031	FILTER ASSY; OIL STD	2	10-	
"	35-1034	FILTER ASSY; OIL, COMMERCIAL	2	10-	
3	26-1713	BOLT	3	10-	
4	19-1631	PLUG	2	10-	
5	83-1137	FITTING; OIL LINE	2	10-	
6	18-1002	ADAPTER; REMOTE OIL LWR	1	10-	
7	20-5020-096	HOSE	1	10-	
8	32-1061	HOSE	1	10-	40"
9	20-5020-098	OIL COOLER	1	10-	
10					

22 | OIL PUMP AND OIL STRAINER

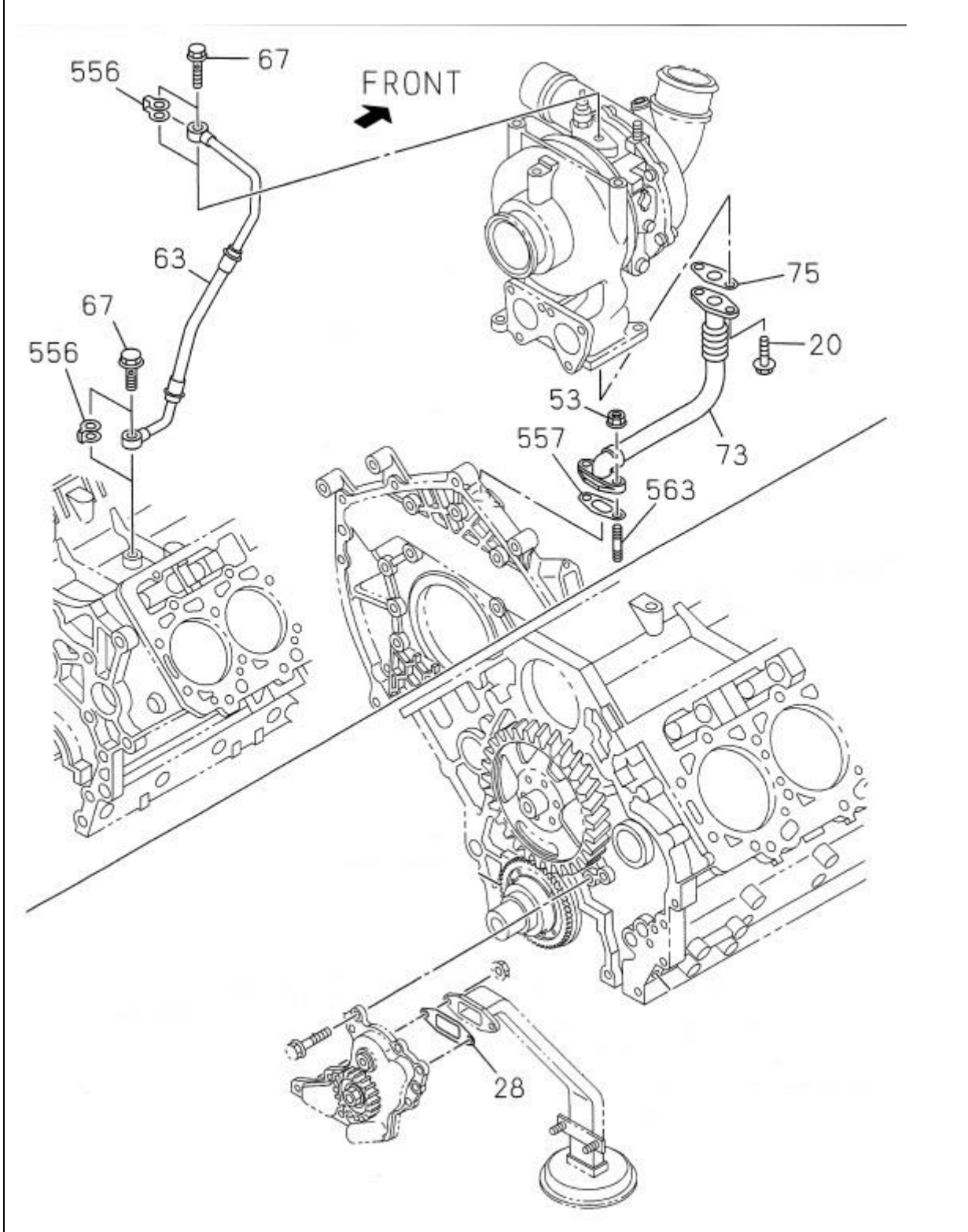




22 | OIL PUMP AND OIL STRAINER | PARTS LIST

KEY	PART NO.	PART NAME	PCS	Engine year	REMARKS
1	8-98044-109-0	PUMP ASM; OIL	1	-12	
"	18-0001	PUMP ASM; OIL	1	13-	
13a	0-58330-830-0	BOLT; OIL PUMP TO C/BL	3	10-	
13b	0-58330-845-0	BOLT; OIL PUMP TO C/BL	1	10-	
20	8-97226-137-1	GEAR; DRIVE OIL PUMP	1	-12	
"	18-0003	GEAR; DRIVE OIL PUMP	1	13-	
21	9-09566-120-0	GASKET; OIL PUMP	1	-12	ALSO INCLUDED IN GASKET SET
"	95-0001	GASKET; OIL PUMP	1	13-	
42	8-98048-580-0	STRAINER OIL; OIL PUMP	1	10-	
52	0-28050-812-0	BOLT; OIL PIPE	2	-12	
"	26-0003	BOLT; OIL PIPE	2	13-	
166	0-49140-830-0	STUD; OIL PUMP TO STRAINER	2	10-	
167	0-91180-108-0	NUT; OIL PUMP TO STRAINER	2	10-	
168	8-98007-036-0	NUT; OIL PUMP GEAR	1	-12	
"	26-0002	NUT; OIL PUMP GEAR	1	13-	

23 | OIL AND VACUUM PIPING

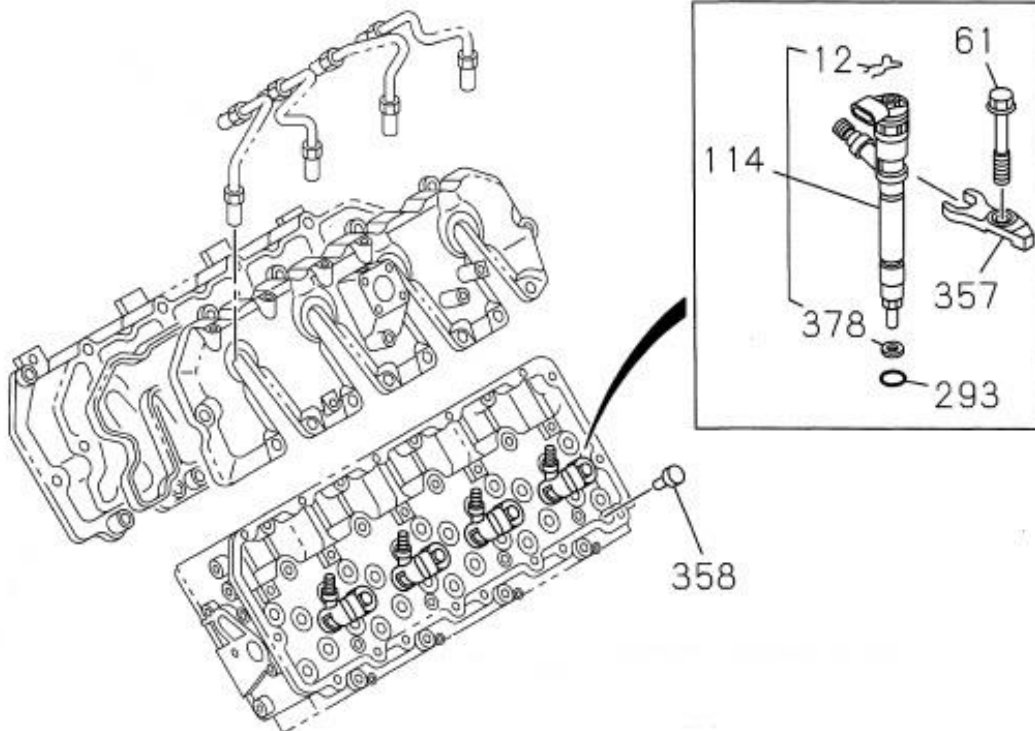
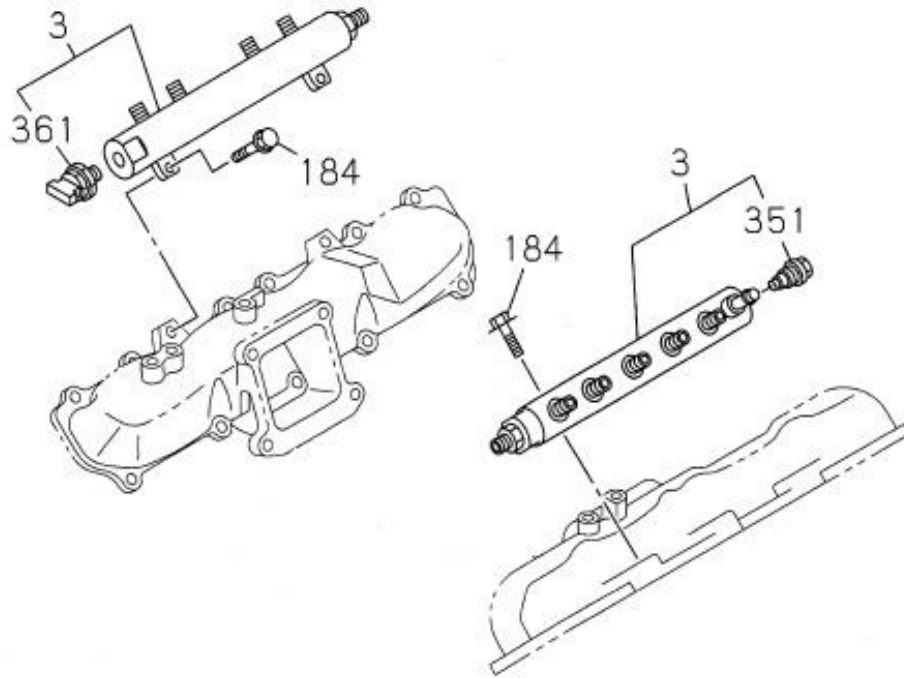




23 | OIL AND VACUUM PIPING | PARTS LIST

KEY	PART NO.	PART NAME	PCS	Engine year	REMARKS
20	0-28650-825-0	BOLT; OIL PIPE TO TURBOCHARGER	2	-12	
"		BOLT; OIL PIPE TO TURBOCHARGER	2	13-	
28	8-97207-225-0	GASKET; OIL PIPE	1	10-	ALSO INCLUDED IN GASKET SET
53	0-91180-108-0	NUT; OIL PIPE	2	10-	
63	8-97374-369-1	PIPE; OIL TURBOCHARGER FEED	1	-12	
"		PIPE; OIL TURBOCHARGER FEED	1	13-	
67	8-97365-194-1	BOLT; EYE TURBOCHARGER	2	10-	
73	8-97303-638-2	PIPE ASM; OIL TURBOCHARGER RETURN	1	-12	
"		PIPE ASM; OIL TURBOCHARGER RETURN	1	13-	
75	8-97227-012-0	GASKET; TURBOCHARGER RETURN PIPE	1	-12	ALSO INCLUDED IN GASKET SET
"		GASKET; TURBOCHARGER RETURN PIPE	1	13-	ALSO INCLUDED IN GASKET SET
556	8-97331-137-1	GASKET; TURBO OIL FEED	2	-12	ALSO INCLUDED IN GASKET SET
"		GASKET; TURBO OIL FEED	2	13-	ALSO INCLUDED IN GASKET SET
557	8-97208-191-1	GASKET; TURBO RETURN	1	-12	ALSO INCLUDED IN GASKET SET
"		GASKET; TURBO RETURN	1	13-	ALSO INCLUDED IN GASKET SET
563	0-49140-822-0	STUD; OIL PIPE	2	-12	
"		STUD; OIL PIPE	2	13-	

24 | ECGI SYSTEM OR COMMON RAIL

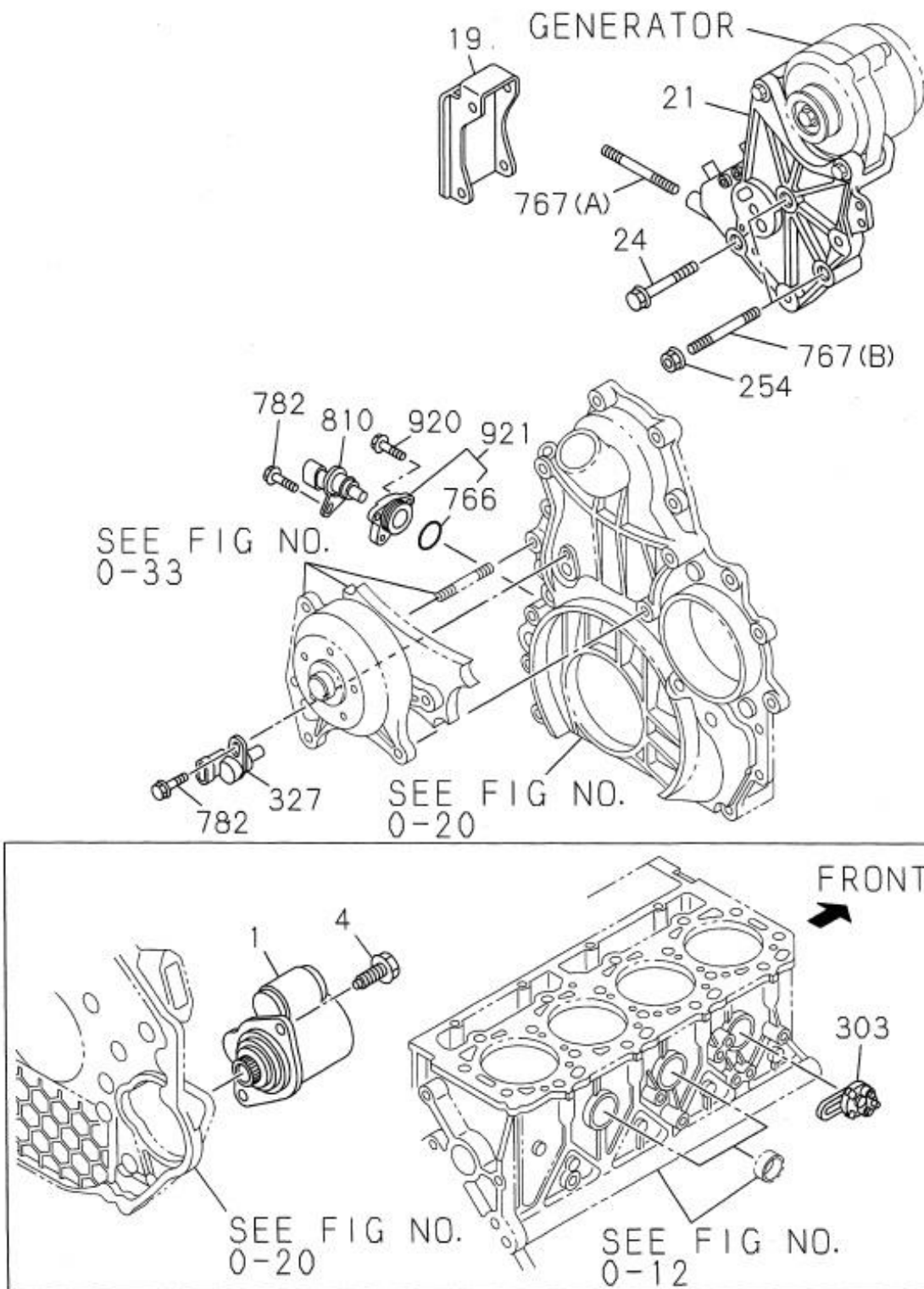




24 | ECGI SYSTEM OR COMMON RAIL | PARTS LIST

KEY	PART NO.	PART NAME	PCS	Engine year	REMARKS
3	8-97361-353-3	RAIL; FUEL INJECTOR	1	10-	LEFT
"	8-97361-352-4	RAIL; FUEL INJECTOR	1	10-	RIGHT
12	8-97359-750-0	CLIP; INJECTOR	8	10-	
61	8-97354-770-0	BOLT; BRKT	8	10-	
114	8-98002-368-2	INJECTOR; FUEL	8	10-	
184	0-28050-825-0	BOLT; FUEL RAIL	4	10-	
293	9-09567-119-0	GASKET; FUEL INJECTOR	8	10-	ALSO INCLUDED IN GASKET SET
351	8-97371-618-0	VALVE; PRESSURE RELIEF	1	10-	LEFT
357	8-97303-764-0	BRACKET; INJECTOR	8	10-	
358	8-97190-517-0	PIN; BRKT	8	10-	
361	8-97371-617-1	SENSOR; PRESS, FUEL RAIL	1	10-	RIGHT
378	8-97327-722-0	RING; SEAL	8	10-	

25 | ENGINE ELECTRICAL CONTROL PARTS 1/3

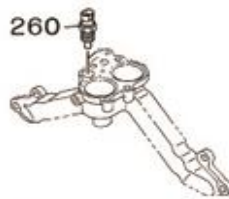


25 | ENGINE ELECTRICAL CONTROL PARTS 2/3

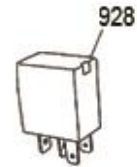
SENSOR; MAP



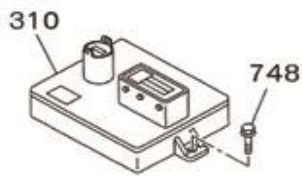
SENSOR; WATER TEMP



MICRO RELAY



CONTROLLER; GLOW



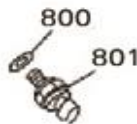
SENSOR; THROTTLE POSITION



SENSOR; INTAKE TEMP

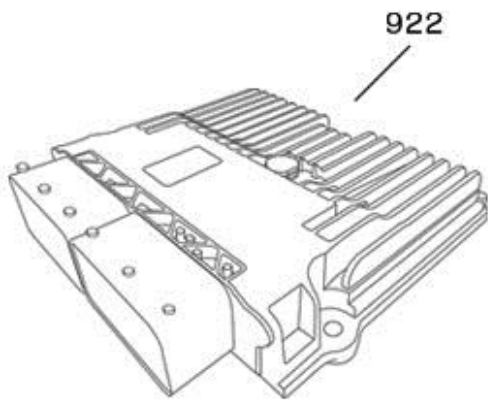


SENSOR; OIL PRESSURE

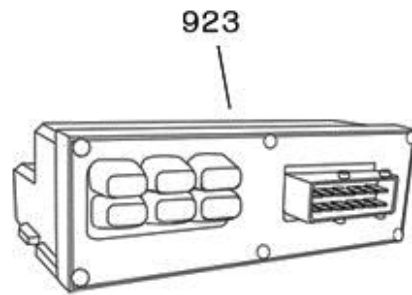


25 | ENGINE ELECTRICAL CONTROL PARTS 3/3

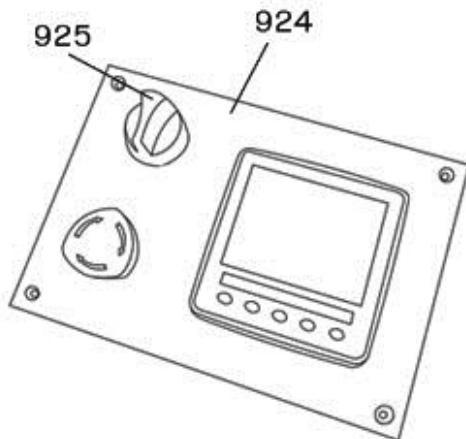
ECU



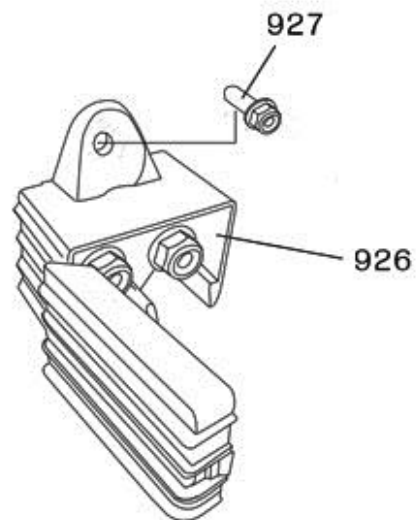
FUSE BOX



INSTRUMENT PANEL



JUNCTION BOX





25 | ENGINE ELECTRICAL CONTROLL PARTS | PARTS LIST

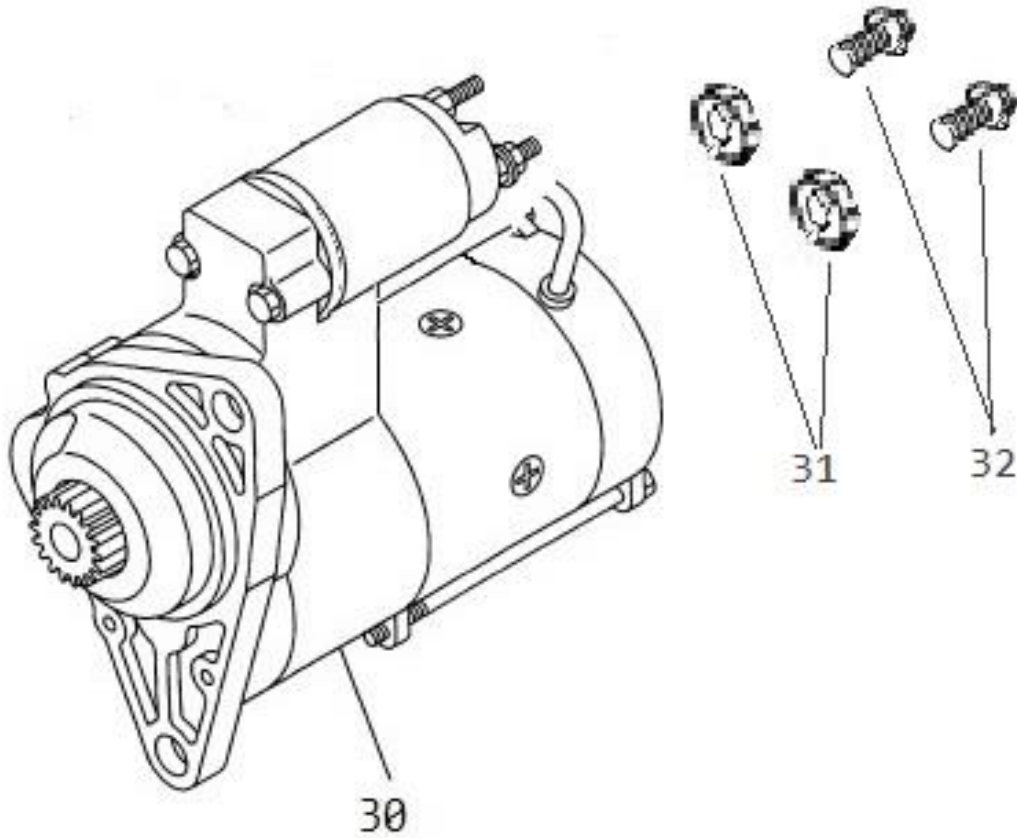
KEY	PART NO.	PART NAME	PCS	Engine year	REMARKS
1	20-5020-106	STARTER; ENGINE BOTTOM MOUNT (STD. V8)	1	10-	
4	26-1651	BOLT	2	10-	
19	8-97356-246-0	BRACKET; GEN	1	10-	
21	8-98023-014-0	BRACKET; GEN	1	-12	
"	8-12638-376-0	BRACKET; GEN	1	13-	
24	0-28151-070-0	BOLT; GEN BRKT	1	10-	
254	0-91180-210-0	NUT; GEN BRACKET	1	10-	
260	8-15326-386-0	SENSOR; WATER TEMP	2	10-	
303	8-97214-984-2	HEATER; C/BL	1	10-	
310	8-98089-571-0	CONTROLLER; GLOW	1	10-	
327	8-97365-038-0	SENSOR; CAMSHAFT POSITION	1	10-	
748	0-28650-616-0	BOLT; CONT UNIT	2	10-	
766	9-09567-230-0	GASKET; SENSOR	1	10-	
767a	0-49140-816-0	STUD; BRKT	1	10-	
767b	8-97375-628-0	STUD; BRKT	2	10-	
782	0-28050-612-0	BOLT; SENSOR	2	10-	
796	8-09373-269-1	SENSOR; MAP	1	10-	
797	20-5020-104	SENSOR; THROTTLE POSITION	1	10-	
798	26-1002	BOLT; SENSOR	2	10-	
799	20-5020-113	SENSOR; INTAKE TEMP	1	10-	
800	1-09630-085-0	GASKET; SENSOR	1	10-	
801	8-98027-456-0	SENSOR; OIL PRESSURE	1	-12	
"	10-1063	SENSOR; OIL PRESSURE	1	13-	
810	8-97365-037-0	SENSOR; CRANK ANGLE	1	10-	
920	8-97329-599-0	BOLT; SPACER	1	10-	
921	8-97250-556-1	SPACER; SENSOR	1	10-	MARK B
"	8-97250-557-1	SPACER; SENSOR	1	10-	MARK C
"	8-97374-331-0	SPACER; SENSOR	1	10-	MARK D
922	20-5020-035	ECU	1	10-	MUST BE CALIBRATED BY A CERTIFIED BUKH TECHNICIAN BEFORE USE!
923	20-5087-125	FUSE/RELAY BOX	1		PLEASE CONTACT BUKH BEFORE ORDERING!
924	79-1100	INSTRUMENT PANEL, CAN	1	10-	Integrated in later versions of the wiring. 1508-1701
925	10-1125	SWITCH; IGNITION	1	10-	
926	20-5050-234	JUNCTION BOX	1	10-	



25 | ENGINE ELECTRICAL CONTROL PARTS | PARTS LIST CONTINUED

KEY	PART NO.	PART NAME	PCS	Engine year	REMARKS
927	26-1711	BOLT	1	10-	
928	87-1236	RELAY; MICRO	1	10-	12V 30A

26 | STARTER

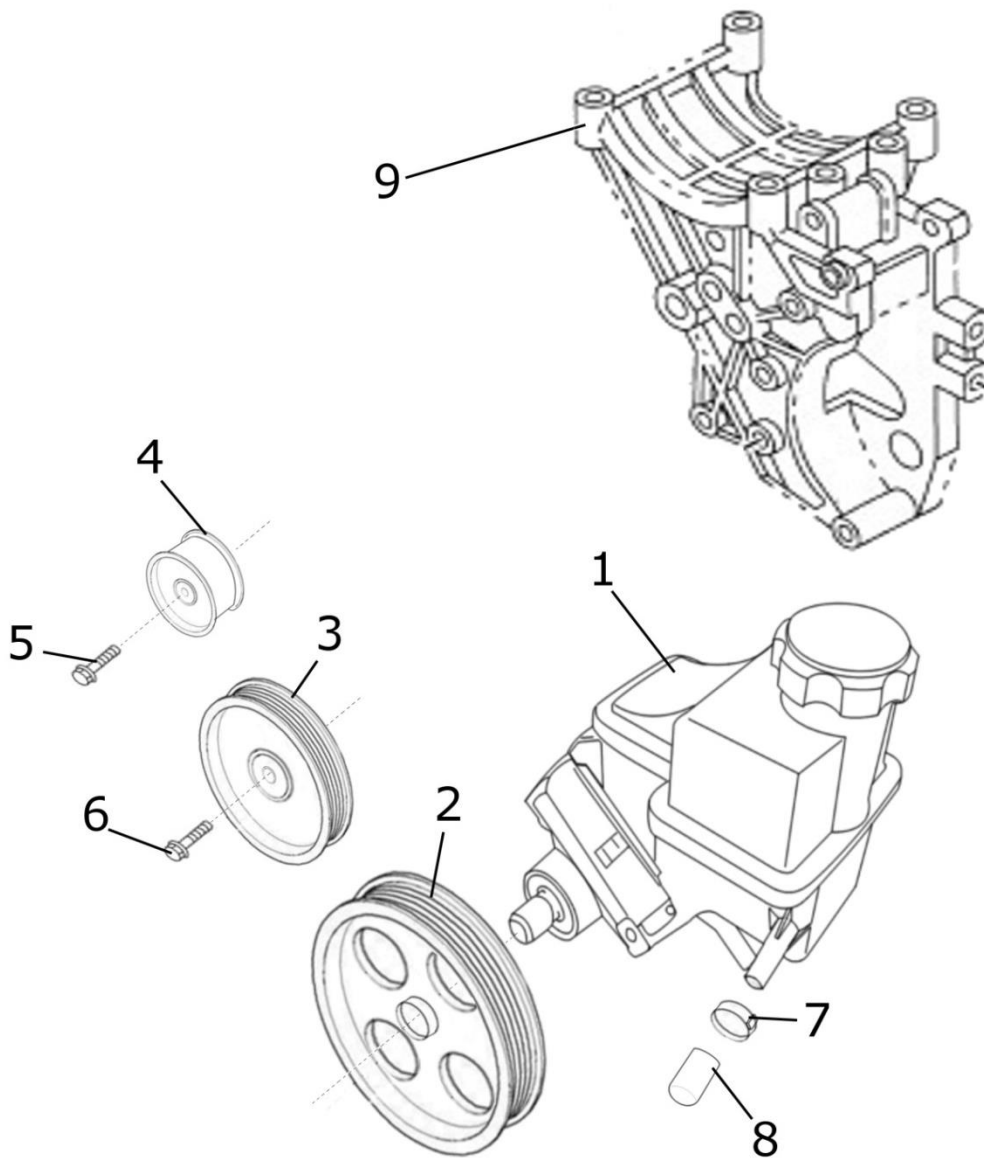




26 | STARTER | PARTS LIST

KEY	PART NO.	PART NAME	PCS	Engine year	REMARKS
30	20-5020-106	STARTER; ENGINE BOTTOM MOUNT (STD. V8)	1	10-	
*	50-1091	STARTER; TOP MOUNT 12V HD	1	10-	
31	26-1740	WASHER	2	10-	
32	26-1651	BOLT	2	10-	

27 | POWER STEERING SYSTEM

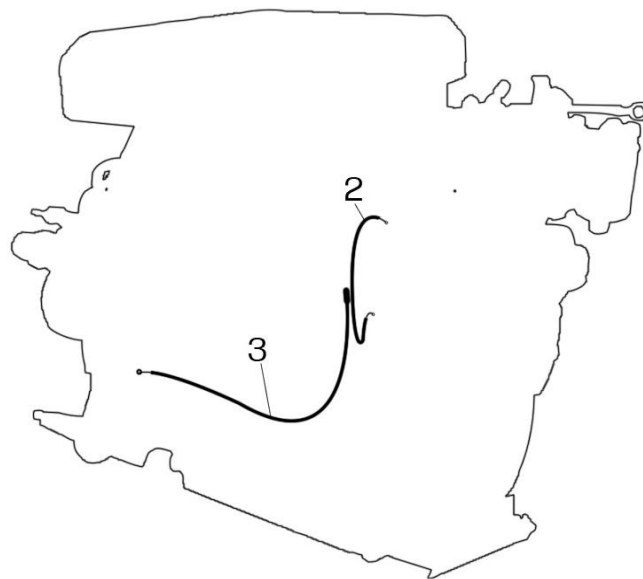




27 | POWER STEERING SYSTEM | PARTS LIST

KEY	PART NO.	PART NAME	PCS	Engine year	REMARKS
1	16-1500	PUMP; P/S	1	-12	
"	10-1061	PUMP; P/S	1	13-	
2	8-97233-357-6	PULLEY; P/S PUMP	1	-12	
"	10-1062	PULLEY; P/S PUMP	1	13-	
3	41-1187	PULLEY; IDLER ASSEMBLY	1	10-	USE P/N HF12 FOR COMPLETE ASSEMBLY.
4	20-5020-146	WHEEL; IDLE	1	10-	USE P/N HF11 FOR COMPLETE ASSEMBLY. -12 ADD 1PCS OF P/N 20-5020-092 TO YOUR ORDER
5	N/A	N/A	N/A	N/A	
6	26-1633	BOLT; PULLEY	1	10-	
7	36-1615	CLAMP; STEPLESS	1	10-	
8	20-5019-002	PLUG; RUBBER	1	10-	
9	8-97386-417-1	BRACKET	1	-12	
"	8-12644-782-0	BRACKET	1	13-	

28 | WIRING HARNESS

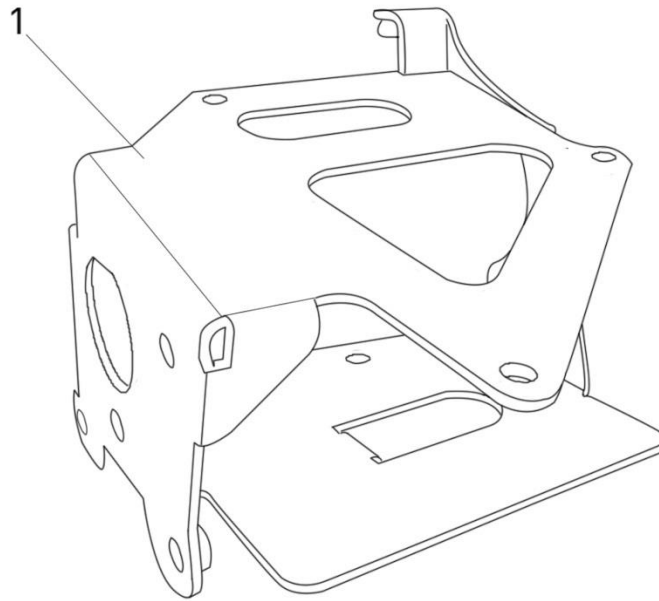




28 | WIRING HARNESS | PARTS LIST

KEY	PART NO.	PART NAME	PCS	Engine year	REMARKS
1	20-5020-217	ENGINE WIRING HARNESS	1		PLEASE CONTACT BUKH BEFORE ORDERING! -1508
"	20-5084-123	ENGINE WIRING HARNESS	1		PLEASE CONTACT BUKH BEFORE ORDERING! 1508-1612
"	20-5084-201	ENGINE WIRING HARNESS	1		PLEASE CONTACT BUKH BEFORE ORDERING! 1701-
2	20-5084-125	WIRE; BATTERY	1		PLEASE CONTACT BUKH BEFORE ORDERING! 1508-
3	20-5084-124	WIRE; STARTER	1		PLEASE CONTACT BUKH BEFORE ORDERING! 1508-
	20-5020-219	EXTENTION HARNESS	1		PLEASE CONTACT BUKH BEFORE ORDERING! 10-

29 | FIXING PARTS

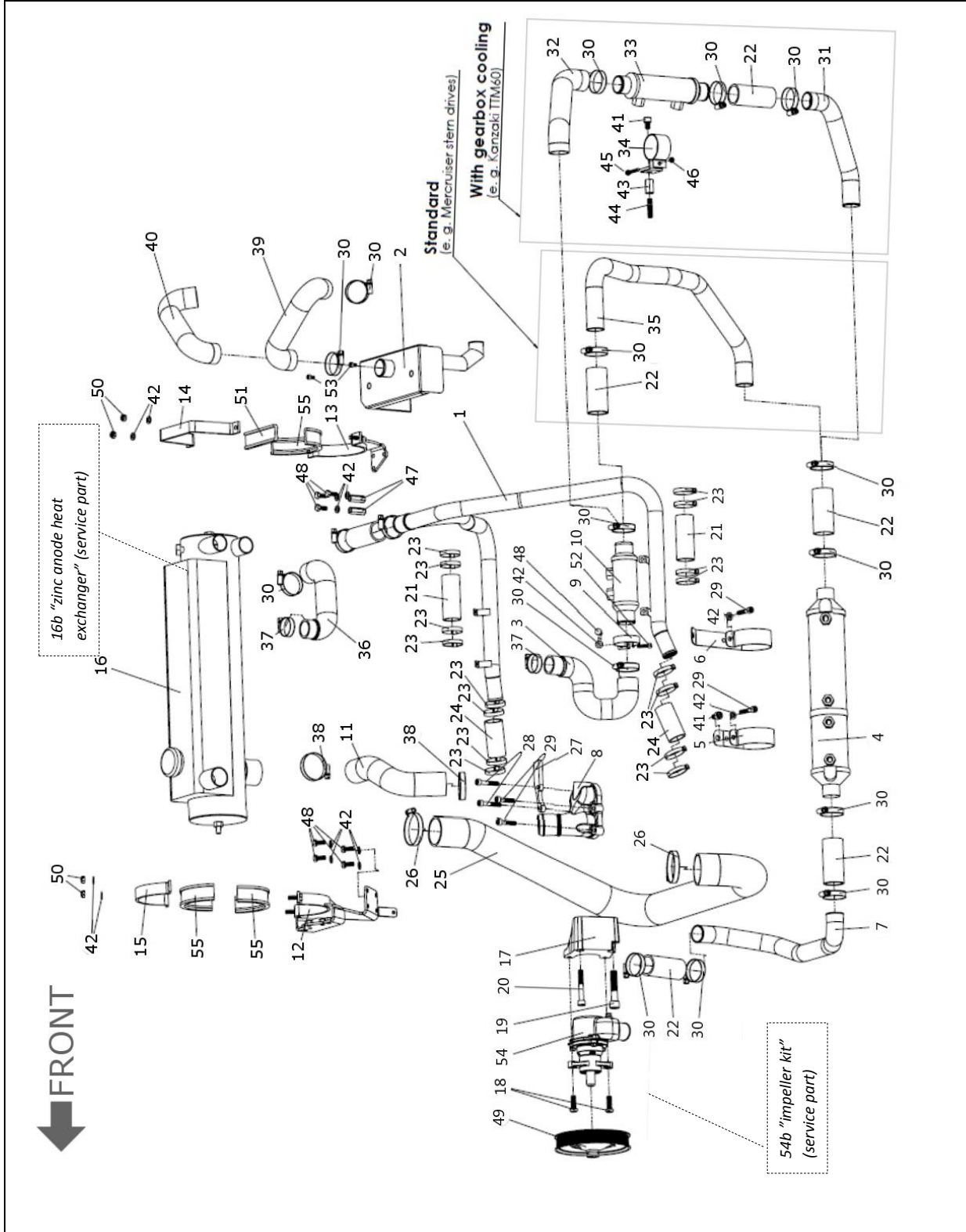




29 | FIXING PARTS | PARTS LIST

KEY	PART NO.	PART NAME	PCS	Engine year	REMARKS
1	20-5020-228	BRACKET; ECU	1		PLEASE CONTACT BUKH BEFORE ORDERING! -1508
"	10-1153	BRACKET; ECU	1		PLEASE CONTACT BUKH BEFORE ORDERING! 1508-1612
"	20-5014-139	BRACKER; ECU	1		PLEASE CONTACT BUKH BEFORE ORDERING! 1701-
2	20-5020-095	PLATE; THROTTLE	1	10-	
9	26-1617	WASHER	1	10-	
10	26-1713	BOLT	1	10-	
17	36-1617	CLAMP; THROTTLE CABLE	1	10-	
18	20-5020-102	FORK	1	10-	
19	20-5020-108	LOCK PLATE; FORK	1	10-	

30 | COOLING SYSTEM (SEA WATER)





30 | COOLING SYSTEM | PARTS LIST

KEY	PART NO.	PART NAME	PCS	Engine year	REMARKS
1	20-5020-068	PIPE ASSY; EXHAUST COOLING	1	10-	
2	20-5020-074	COVER; HEAT, TURBO	1	10-	
3	20-5020-136	HOSE; INTERCOOLER-DIESELCOOLER	1	10-	
4	20-5020-098	COOLER; OIL	1	10-	
5	20-5020-099	BRACKET; OILCOOLER FRONT	1	10-	
6	20-5020-100	BRACKET; OILCOOLER REAR	1	10-	
7	20-5020-093	PIPE; SHERWOOD-OIL COOLER	1	10-	
8	20-5020-005	HOUSING; THERMOSTAT	1	10-	
9	20-5020-141	BRACKET; DIESELCOOLER	1	10-	
10	20-5020-038	COOLER; DIESEL	1	10-	
11	20-5020-109	HOSE; THERMOSTAT-HEATEXCHANGER	1	10-	
12	20-5020-008	SUPPORT; HEATEXCHANGER, FRONT	1	10-	
13	20-5020-011	SUPPORT; HEATEXCHANGER, REAR	1	10-	
14	20-5020-151	CLAMP; HEATEXCHANGER MOUNT	1	10-	REAR
15	20-5020-010	CLAMP; HEAT EXCHANGER MOUNT	1	10-	FRONT
16	20-5020-034	HEAT EXCHANGER (4 PASS)	1	10-	V8 300-500
"	20-5015-002	HEAT EXCHANGER (6 PASS)	1	10-	V8 550
16b	19-1623	ANODE; REPLACEMENT, HEAT EXCHANGER	1	10-	
17	20-5020-002	BRACKET; SEA WATER PUMP	1	-12	
"	20-5020-216	BRACKET; SEA WATER PUMP	1	13-	
18	26-1725	BOLT; PULLEY	2	10-	
19	26-1753	BOLT; PUMP, SEAWATER	1	10-	
20	26-1730	BOLT; PUMP, SEAWATER	1	10-	
21	20-5020-191	HOSE; WATER	2	10-	
22	20-5020-190	HOSE; WATER	6	10-	
23	36-1601	CLAMP	16	10-	
24	20-5020-192	HOSE; WATER	2	10-	
25	20-5020-017	HOSE; WATERPUMP-HEATEXCHANGER	1	10-	
26	36-1606	CLAMP	2	10-	
27	20-5020-089	CATCHER; PRESSURE PIPE	1	10-	
28	26-1599	BOLT	2	10-	
29	26-1719	BOLT	4	10-	
30	36-1667	CLAMP; HOSE	17	10-	
31	20-5020-140	PIPE; OILCOOLER-GEARBOX COOLER	1	10-	



30 | COOLING SYSTEM | PARTS LIST CONTINUED

KEY	PART NO.	PART NAME	PCS	Engine year	REMARKS
32	20-5020-137	HOSE; DIESEL COOLER-GEARBOX COOLER	1	10-	
33	10-1116	OIL COOLER; TRANSMISSION	1	10-	
34	36-1403	CLAMP	1	10-	
35	20-5020-094	PIPE; OIL COOLER-DIESEL COOLER	1	10-	
36	20-5020-110	HOSE; HEAT EXCHANGER-INTERCOOLER	1	10-	
37	36-1607	CLAMP	2	10-	
38	36-1612	CLAMP	2	10-	
39	20-5020-138	HOSE; TURBO COOLER-RISER	1	10-	RIGHT
"	20-5025-123	HOSE; TURBO COOLER-RISER	1	14-	FOR V8 450-548 WITH LML TURBOCHARGER
40	20-5020-139	HOSE; TURBO COOLER-RISER	1	10-	LEFT
"	20-5025-124	HOSE; TURBO COOLER-RISER	1	14-	FOR V8 450-548 WITH LML TURBOCHARGER
41	26-1756	BOLT	2	10-	
42	26-1617	WASHER	14	10-	
43	14-1639	DISTANCE	1	10-	
44	26-1005	STUD	1	10-	
45	26-1719	BOLT	1	10-	
46	26-1706	NUT; LOCKING	1	10-	
47	20-5020-103	NUT; LONG	2	10-	
48	26-1713	BOLT	8	10-	
49	41-9971	PULLEY	1	10-	
50	26-1706	NUT; LOCK	4	10-	
51	20-5020-193	MOUNT; RUBBER, HEAT EXCHANGER EXC SHORT	1	10-	
52	26-1707	BOLT	1	10-	
53	26-1744	BOLT	2	10-	
54	15-1500	PUMP; SEAWATER, SHERWOOD	1	10-	
54b	15-1209	IMPELLER KIT; SEAWATER PUMP, SHERWOOD	1	10-	
55	20-5020-194	MOUNT; RUBBER, HEAT EXCHANGER EXC LONG	3	10-	