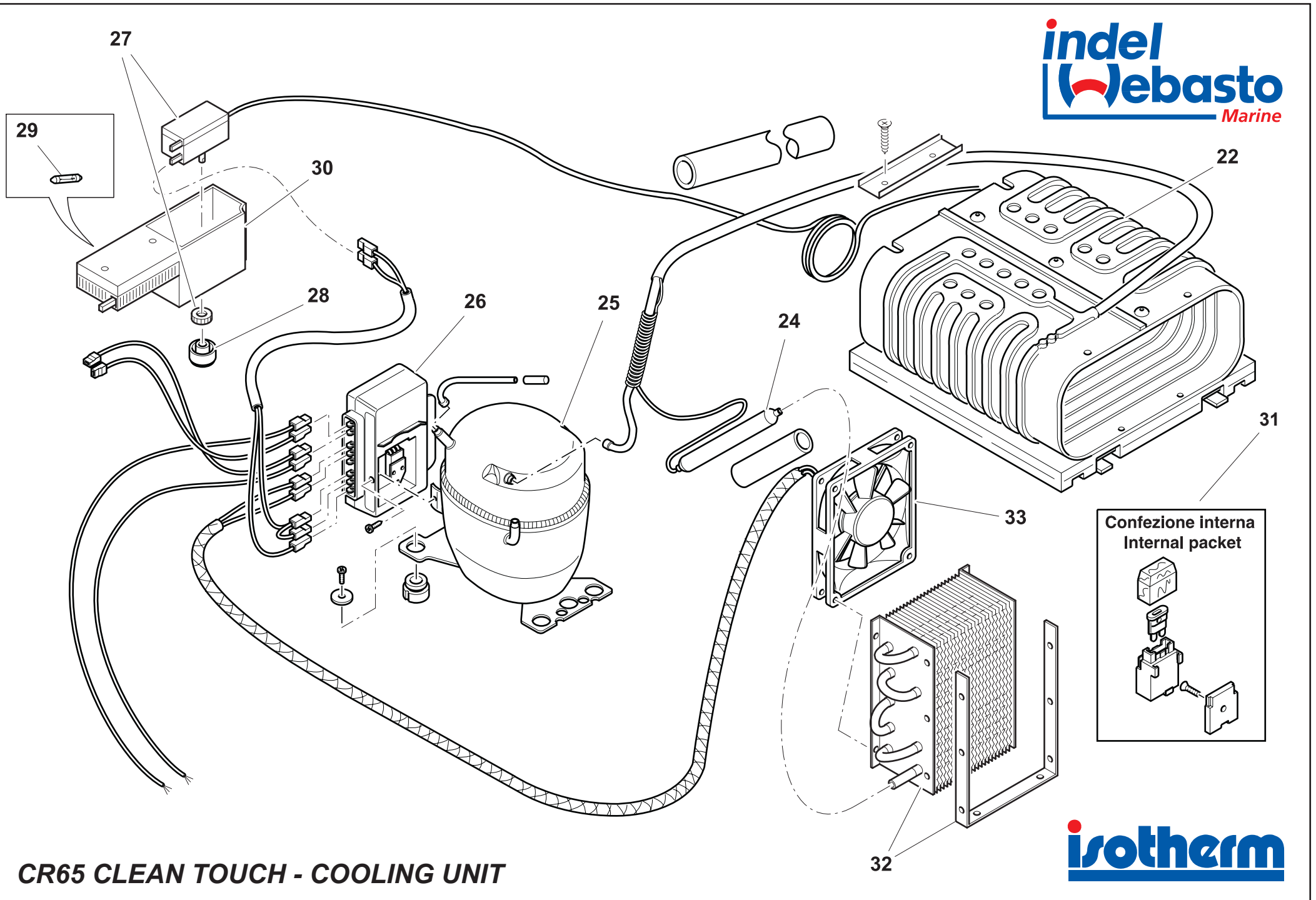


CR 65 CLEAN TOUCH - CABINET



CR65 CLEAN TOUCH - COOLING UNIT

RICAMBI CR65 CLEAN TOUCH SPARE PARTS CR65 CLEAN TOUCH

NUMERO NUMBER	COD. ARTICOLO ITEM CODE	DESCRIZIONE ARTICOLO ITEM DESCRIPTION
1	SDF00086AB	GOMMINO ANTIURTO PER FLANGIA INOX CONFEZIONE 6PZ RUBBER BUMPER FOR INOX FRAME 6PCS
2	SBE00194AB	CERNIERA SUPERIORE CR ELEGANCE UPPER HINGE CR ELEGANCE
3	SBE00196AA	STAFFA SOSTEGNO PORTA PLASTICA NERA CR ELEGANCE SUPPORT BRACKET DOOR CR ELEGANCE
4	SGC00226AA	GRIGLIA INTERNA CRUISE 65 INTERNAL SHELF CRUISE 65
5	SGC00365AA	COPERTURA EVAPORATORE PLASTICA BIANCA CR49/CR65 ELEGANCE PLASTIC COVER FOR EVAPORATOR CR49/CR65 ELEGANCE
6	SGC00294AA	PORTINA EVAPORATORE CRUISE CR49/CR65/CR85/CR130 C. & ELEGANCE EVAPORATOR DOOR CRUISE CR49/CR65/CR85/CR130 C. EL.
7	SGC00366AA	SGOCCIOLATOIO EVAPORATORE CR49/CR65 ELEGANCE DRIP TRAY FOR CR49/CR65 CHINA
8	SGC00022AA	CUBETTIERA CRUISE ICE CUBE CRUISE
9	SGB00191AA	FLANGIA 3 LATI FLUSH MOUNTING INOX CR65 CLEAN TOUCH FRAME 3-SIDE FLUSH MOUNTING INOX CR65 CLEAN TOUCH
10	SGC00449AA	PORTA INOX CLEAN TOUCH COMPLETA DI ACCESSORI PER CR65 COMPLETE INOX CLEAN-TOUCH DOOR FOR CR65
11	SGC00228AA	BALCONCINO PORTA CRUISE 65 C. RETAINER CRUISE 65 C.
13	SBE00195AB	CERNIERA INFERIORE CR ELEGANCE LOWER HINGE CR ELEGANCE
16	SGD00043AA	KIT MANIGLIA BRIGHT SILVER COMPLETA DI MOLLE E PERNI PER CR49/65/85/130 ELEGANCE HANDLE BRIGHT SILVER COMPLETE KIT WITH SPRINGS AND PIVOT CR49/65/85/130 ELEGANCE
17	SBE00211AA	STAFFA AGGANCIO TOP INOX CR ELEGANCE INOX SUPPORT BRACKET FOR TOP CR ELEGANCE
22	SBF00109AA	EVAPORATORE CR49/CR65 ELEGANCE EVAPORATOR CR49/CR65 ELEGANCE
24	SBD00026AA	FILTRO 10GR 2V XH7 PARA R134A Ø19mm foro in-out 5,0-5,1 FILTER FÖR 2V XH7 FÖR R134A Ø19mm in-out 5,0-5,1
25	SBA00002DA	COMPRESSORE BD35F SENZA CENTRALINA DANFOSS COMPRESSOR BD35F 12/24V NO ELECTRICAL UNIT TP39301
26	SEG00002DA	CENTRALINA DANFOSS 101N0210 BD35/50F 12/24V ELECTRICAL UNIT DANF. 101N0210 BD35/50F 12/24V
26	SEG00030GA	CENTRALINA DANFOSS B35F/BD50F AC/DC 12/24V-115/230V ELECT. UNIT DANFOSS BD35F/50FAC/DC 12/24V-115/230V
27	SEA00092DA	TERMOSTATO CRUISE 49/65/85/130 C. THERMOSTAT CRUISE 49/65/85/130 C.
28	SEA00093AA	MANOPOLA TERMOSTATO CRUISE 49/65/85/130 C. THERMOSTAT KNOB CRUISE 49/65/85/130 C.
29	SEC00038AA	LAMPADINA LED CR49/65/85/130 ELEGANCE LED LAMP CR49/64/85/130 ELEGANCE
30	SEA00094AA	SCATOLA TERMOSTATO CRUISE 49/65/85/130 C. THERMOSTAT BOX CRUISE 49/65/85/130 C.
31	SEB00039AA	KIT PORTA-FUSIBILE 15A FUSE-KIT 15A
32	SBD00104AA	CONDENSATORE CRUISE 49/65 C. CRUISE 49/65 CONDENSER C.
33	SBG00037DA	VENTOLA 9x9 CR49/CR65 ELEGANCE FAN 9x9 CR49/CR65 ELEGANCE

ERSATZTEILE CR65 CLEAN TOUCH PIECES DETACHEES CR65 CLEAN TOUCH

NUMMER NUMERO	ARTIKELNUMMER REF. ARTICLE	ARTIKEL BESCHREIBUNG DESCRIPTION ARTICLE
1	SDF00086AB	BUMPER GUMMI FÜR INOX RAHMEN 6 STÜCK PROTECTION CAOUTCHOUC CADRE INOX 6 PCES
2	SBE00194AB	OBERE SCHARNIERE CHARNIERE SUPERIEURE CR ELEGANCE
3	SBE00196AA	HALTERUNG FÜR TÜR CR ELEGANCE SUPPORT INFERIEUR PORTE CR ELEGANCE
4	SGC00226AA	EINLEGE GITTER CRUISE 65 C. CLAYETTE INTERIEURE CR465C.
5	SGC00365AA	KUNSTSTOFFABDECKUNG FÜR VERDAMPFER CR49/CR65 ELEGANCE PROTECTION PLASTIQUE EVAPORATEUR CR49/CR65 ELEGANCE
6	SGC00294AA	KLAPPE VOM GEFRIERFACH CR49/65/85/130 C. EL. PORTE EVAPORATEUR CRUISE CR49/CR65/CR85/CR130 C. EL
7	SGC00366AA	AUFANGSCHALE FÜR GEFRIERFACH CR49/CR65 C. BAC DE RECUPERATION POUR CR49/CR65 CHINE
8	SGC00022AA	EISWÜRFEL KIT CRUISE BAC A GLACONS CRUISE
9	SGB00191AA	3 SEITIGE RAHMEN FLUSH MOUNTING INOX CR65CLEAN TOUCH CADRE D'ENCASTREMENT 3COTES FLUSH MOUNTING CR65 CLEAN TOUCH
10	SGC00449AA	KOMPLETTE TÜR CR65 CLEAN TOUCH PORTE COMPLETE CR65 CLEAN TOUCH
11	SGC00228AA	GROSSER HALTER CRUISE 65 C. PORTE BOUTEILLES BAS CRUISE 65 C.
13	SBE00195AB	UNTERE SCHARNIERE CR ELEGANCE CHARNIERE INFERIEURE CR ELEGANCE
16	SGD00043AA	HEBELPANEL HELL SILBER KOMPLETER SATZ mit FEDER U. DREHPUNKT CR49/65/85/130 ELEGANCE KIT COMPLET POIGNEE PORTE CR49/65/85/130 ELEGANCE
17	SBE00211AA	EDELSTAHL HALTEBÜGEL FÜR TOP CR ELEGANCE SUPPORT INOX TOP CR ELEGANCE
22	SBF00109AA	VERDAMPFER CR49/CR65 ELEGANCE EVAPORATEUR CR49/CR65 ELEGANCE
24	SBD00026AA	FILTER FÜR R134a 2V XH7 R134A Ø19mm in-out 5,0-5,1 FILTRE 2V XH7 PER POUR R134A Ø19mm in-out 5,0-5,1
25	SBA00002DA	SECOP KOMPRESSOR BD35F 12/24V OHNE STEUERGERÄT COMPRESSEUR SECOP BD35F 12/24V SANS BOITIER ELECTRONIQUE
26	SEG00002DA	STEUERGERÄT SECOP 101N0210 BD35/50F 12/24V BOITIER ELECTRONIQUE SECOP 101N0210 BD35/50F 12/24V
26	SEG00030GA	STEUERGERÄT SECOP BD35F/50FAC/DC 12/24V-115/230V BOITIER ELECTRONIQUE SECOP BD35F/50FAC/DC 12/24V-115/230V
27	SEA00092DA	THERMOSTAT CRUISE 49/65/85/130 C. THERMOSTAT CRUISE 49/65/85/130 C.
28	SEA00093AA	THERMOSTAT KNOPF CRUISE 49/65/85/130 C. BOUTON THERMOSTAT CRUISE 49/65/85/130 C.
29	SEC00038AA	LED LEUCHTMITTEL CR49/64/85/130 ELEGANCE AMPOULE LED CR49/64/85/130 ELEGANCE
30	SEA00094AA	BOX FÜR THERMOSTAT CRUISE 49/65/85/130 C. BOITIER THERMOSTAT CRUISE 49/65/85/130 C.
31	SEB00039AA	KIT SICHERUNG 15A KIT FUSIBLE 15A
32	SBD00104AA	CRUISE 49/65 C. KONDENSER CONDENSEUR CRUISE 49/65 C.
33	SBG00037DA	GEBLÄSE 9X9 CR49/CR65 ELEGANCE VENTILATEUR 9x9 CR49/CR65 ELEGANCE

PIEZAS DE REPUESTO CR65 CLEAN TOUCH RESERVDLAR CR65 CLEAN TOUCH

NÚMERO NUMBER	NÚMERO ARTICULO ARTIKELNUMMER	DESCRIPCIÓN DE LA PARTE ARTIKELBESKRIVNING
1	SDF00086AB	PROTECCIÓN DE GOMA PARA MARCO INOX 6 UDS GUMMIPROPP FÖR ROSTFRI STÅLRAM 6-PACK
2	SBE00194AB	BISAGRA SUPERIOR CR ELEGANCE ÖVRE GÅNGJÄRN CR ELEGANCE
3	SBE00196AA	SOPORTE DE PLASTICO NEGRO DE PUERTA CR ELEGANCE DÖRRSTÖD I SVART PLAST CR ELEGANCE
4	SGC00226AA	REJILLA INTERIOR CR65 INRE HYLLA CR65
5	SGC00365AA	TAPA DE PLASTICO BLANCA PARA EVAPORADOR CR49/CR65 ELEGANCE PLASTHÖLJE FÖRÅNGARE CR49/65 EL
6	SGC00294AA	PUERTA EVAPORADOR CRUISE CR49/CR65/CR85/CR130 C.&ELEGANCE DÖRR FÖRÅNGARE CR49/CR65/CR85/CR130 C. & EL
7	SGC00366AA	DEPOSITO ANTI GOTEJO PARA CR49/CR65 C. DROP-FAT FÖRÅNGARE CR49/65 EL
8	SGC00022AA	CUBITERA CRUISE ISBIT KIT CRUISE
9	SGB00191AA	MARCO 3 LADOS INOX FLUSH MOUNTING CR65 CLEAN TOUCH 3 SIDOR RAM INOX FLUSH MOUNTING CR65 CLEAN TOUCH
10	SGC00449AA	PUERTA COMPLETA DE ACCESORIOS CR65 CLEAN TOUCH DÖRR CR65 CLEAN TOUCH KOMPLETT
11	SGC00228AA	BOTELLERO CRUISE 65 C. HYLLA DÖRR CR65 C.
13	SBE00195AB	BISAGRA INFERIOR CR ELEGANCE NEDRE GÅNGJÄRN CR ELEGANCE
16	SGD00043AA	KIT COMPLETO TIRADOR PUERTA BRIGHT SILVER CR49/65/85/130 ELEGANCE KIT HANDTAG SILVER KOMPLETT MED FJADER OCH CYLINDER CR ELEGANCE
17	SBE00211AA	BASE DE INOX ENGANCHE SUPERIOR CR ELEGANCE FÄSTE I ROSTFRITT STÅL FÖR TOP CR ELEGANCE
22	SBF00109AA	EVAPORADOR CR49/CR65 ELEGANCE FÖRÅNGARE CR49/65 ELEGANCE
24	SBD00026AA	FILTRO 10GR 2V XH7 PARA R134A Ø19mm foro in-out 5,0-5,1 FILTER FÖR 2V XH7 FÖR R134A Ø19mm in-out 5,0-5,1
25	SBA00002DA	COMPRESOR SECOP BD35F 12/24V SIN CAJA ELECTRONICA KOMPRESSOR SECOP BD35F 12/24V UTAN ELDEL
26	SEG00002DA	CAJA ELECTRONICA DANFOSS/SECOP 101N210 BD35/50F 12/24V ELDEL SECOP 101N0210 BD35/50F 12/24V
26	SEG00030GA	CAJA ELECTRONICA DANFOSS/SECOP BD35F/50FAC/DC 12/24V-115/230V ELDEL SECOP B35F/BD50F AC/DC 12/24V-115/230V
27	SEA00092DA	TERMOSTATO CRUISE 49/65/85/130 C. THERMOSTAT CRUISE 49/65/85/130 C.
28	SEA00093AA	RUEDA REGUL. THERMOSTATO CRUISE 49/65/85/130 DR 49/55/65 C. THERMOSTAT-VRED CRUISE 49/65/85/130 DR49/55/66
29	SEC00038AA	LUZ LED CR49/64/85/130 ELEGANCE LED LAMPA CR49/64/85/130 ELEGANCE
30	SEA00094AA	CAJA THERMOSTATO CRUISE 49/65/85/130 C. THERMOSTATDOSAS CRUISE 49/65/85/130 C.
31	SEB00039AA	KIT PORTAFUSIBLES 15A SÄKRINGS-KIT 15A
32	SBD00104AA	CONDENSADOR CRUISE 49/65 C KONDENSOR CR49/65 C.
33	SBG00037DA	VENTILADOR 9X9 CR49/CR65 ELEGANCE FLÄKT 9x9 CR49/CR65 ELEGANCE