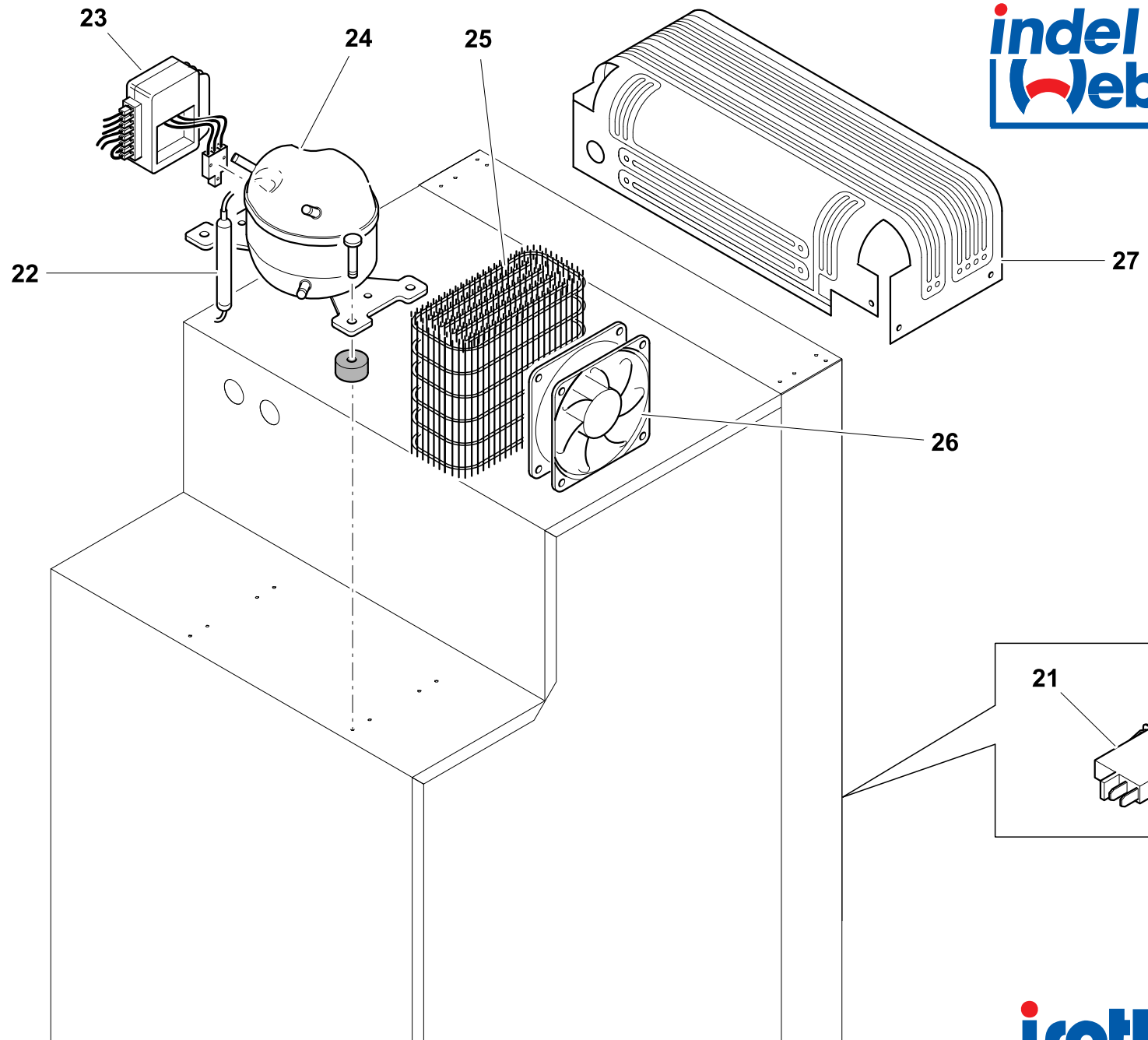


**DR 85 INOX - CABINET**



**DR 85 INOX - COOLING UNIT**

NUMERO NUMBER	CODICE ARTICOLO ITEM CODE	DESCRIZIONE ARTICOLO ITEM DESCRIPTION
2	SGB00041AA	FLANGIA FLUSH MOUNTING INOX B/B CR85 STANDARD 3-SIDE FLUSH MOUNT. FRAME CR85 INOX B/B
3	SGC00431AA	CESTELLO METALLO PICCOLO DR85 INOX SMALL METAL BASKET FOR DR85 INOX
4	SGC00433AA	SGOCCIOLATOIO PLASTICA BIANCA DR85 INOX PLASTIC DRIP TRAY DOOR DR85 INOX
5	SGC00434AA	CASSETTO PICCOLO SUPERIORE DR85 INOX SMAL UPPER DRAWER DR85 INOX
6	SGC00435AA	BALCONCINO METALLO PER CASSETTO PICCOLO DR85 INOX METAL RETAINER FOR SMALL DRAWER DR85 INOX
7	SGD00012AA	MANIGLIA INOX "CRUISE INOX" CON PROTEZIONE IN PLASTICA INOX HANDLE/LOCKER FOR "CRUISE INOX"
8	SGC00437AA	PORTA DR85 INOX COMPLETA DI CASSETTO COMPLETE DOOR DR85 INOX
9	SGD00027AA	KIT GUIDE FISSE SCORRIMENTO PER CASSETTO DR49/DR65/DR55F/DR85/DR130/DR160/DR190 SLIDE DRAWER KIT FOR DR49/DR65/DR55F/DR85/DR130/DR160/DR190
10	SGC00317AA	PLACCA COPERTURA SCHEDA ELETTRONICA 5 LED BLU PER DR130/DR85/DR65/DR55/DR49 COVER FOR ELECTRONIC CARD 5 LED BLUE FOR DR130/DR85/DR65/DR55/DR49
11	SEG00033DA	SCHEDA ELETTRONICA 5 LED BLU PER DR130/DR85/DR65/DR55/DR49 ELECTRONIC CARD 5 LED BLUE FOR DR130/DR85/DR65/DR55/DR49
12	SGC00438AA	PORTABOTTIGLIE PIEGHEVOLE DR85 BOTTLE RACK COLLAPSIBLE DR85
13	SGC00436AA	GRIGLIA VERTICALE DIVISORIO DR85 INOX VERTICAL GRID DR85 INOX
14	SGD00036AA	KIT GUIDE SCORRIMENTO PER CASSETTO INTERNO PICCOLO DR49/DR65/DR55/DR85/DR130 SLIDE DRAWER KIT FOR SMALL INTERNAL DRAWER DR49/DR65/DR55/DR85/DR130
15	SGC00432AA	CESTELLO METALLO GRANDE DR85 INOX BIG METAL BASKET FOR DR85 INOX
16	SEA00069AA	MANOPOLA TERMOSTATO CR90F/DR85/DR130 THERMOSTAT KNOB CR90F/DR85/DR130
17	SEA00125AA	SCATOLA FRONTALE PER TERMOSTATO DR85/DR130 FRONT PLASTIC BOX FOT THERMOSTAT DR85/DR130
18	SEA00031DA	TERMOSTATO CR36/49/50/65/100/120/DR130/DR85/BI135/(85/130 fino 2008, BI41 fino 2010)/DR49 THERMOSTAT CR36/49/50/65/100/120/DR130/DR85/BI135/(85/130 till 2008)/DR49 G112
20	SEA00124AA	SCATOLA SUPERIORE PER TERMOSTATO DR85/DR130 UPPER PLASTIC BOX FOT THERMOSTAT DR85/DR130
21	SEC00025AA	INTERRUTTORE A PULSANTE PER CASSETTO DR49/DR65/DR85/DR130 SWICH FOR DRAWER DR49/DR65/DR85/DR130
22	SBD00073AA	FILTRO 10Gr PER R134a B041 TUBO 5+2mm D. 16 L. 119 (CRUISE/DANFOSS) FILTER 10Gr FOR R134a B041 TUBE 5+2mm (CRUISE/DANFOSS)
23	SEG00002DA	CENTRALINA DANFOSS/SECOP 101N0210 BD35/50F 12/24V TP39310 ELECTRICAL UNIT DANFOSS/SECOP 101N0210 BD35/50F 12/24V TP39310
23	SEG00030GA	CENTRALINA DANFOSS/SECOP B35F/BD50F AC/DC 12/24V-115/230V ELECT. UNIT DANFOSS/SECOP BD35F/50FAC/DC 12/24V-115/230V
24	SBA00002DA	COMPRESSORE DANFOSS/SECOP BD35F SENZA CENTRALINA DANFOSS/SECOP COMPRESSOR BD35F 12/24V NO ELECTRICAL UNIT TP39301
25	SBD00028AA	CONDENSATORE A FILO PIEGATO CON STAFFA AIR CONDENSER PIN TYPE WITH BRACKET
26	SBG00005BA	VENTOLA CABLATA 12V LOW SPEED TP39236 FAN 12V LOW SPEED FOR COMPACT AND CRUISE TP39236
27	SBF00116AA	EVAPORATORE DR85 INOX EVAPORATOR DR85 INOX