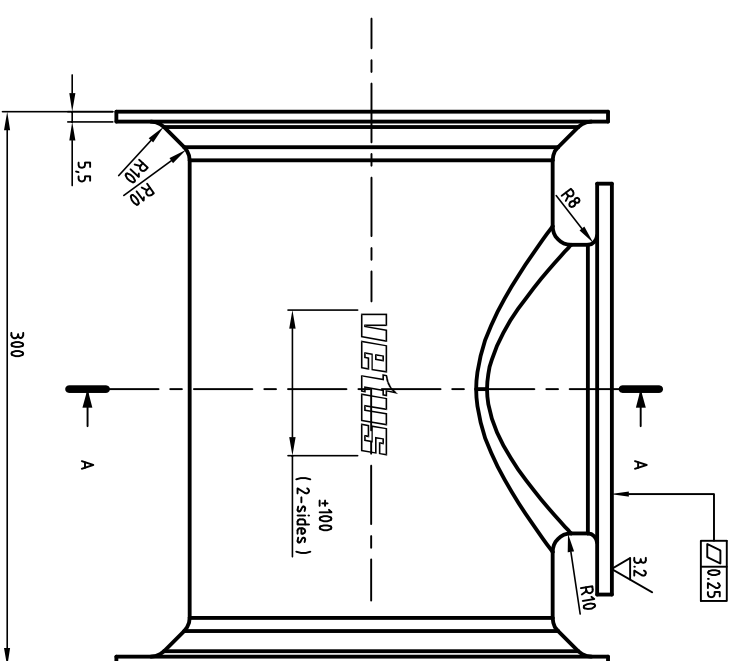
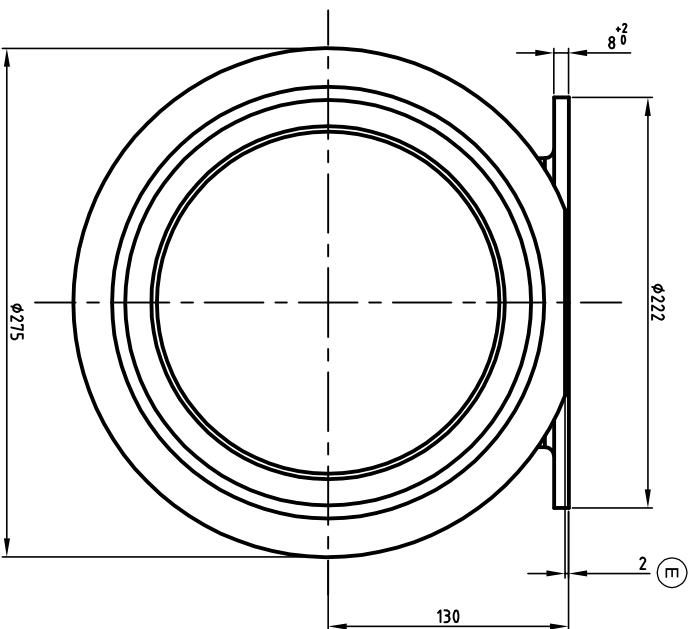


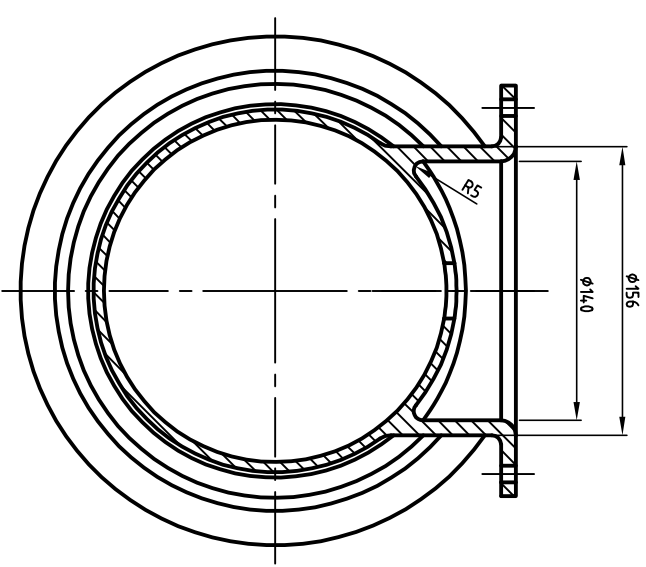
Section B-B

Section A-A



6.3 / (3.2)

Mat: Glass reinforced polyester
 Layer 1 and 3: chopped strand mat.
 Layer 2 and 4: woven roving.
 Inner- and outer layer topcoat: 100% resin (Isophthal)
 Color: RAL7004



25-9-2006	E: 10822
4-1-2006	D: 10742
23-12-2005	C: 10726
14-3-2005	B: 10528
19-3-2004	A: 10387

Stern thruster tunnel Ø 185 polyester

Scale	1:2
Scale	1:2
Drawn	P.V.
Checked	
Formaat	A1
Formaat	A1
TEK.NR.	1-12343

This drawing is the property of WETLUS and is not to be copied or reproduced without the written consent of WETLUS. WETLUS is not responsible for any damage or loss of data or information resulting from the use of this drawing.