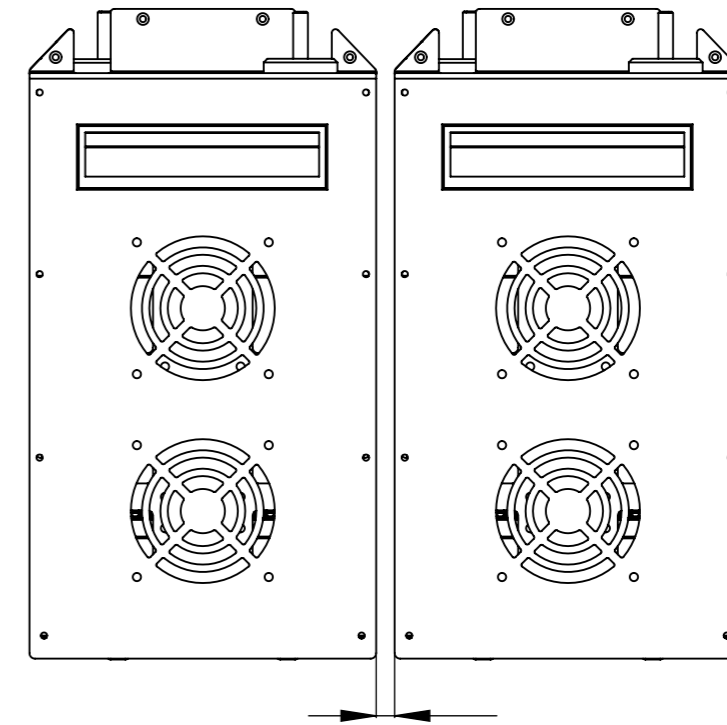
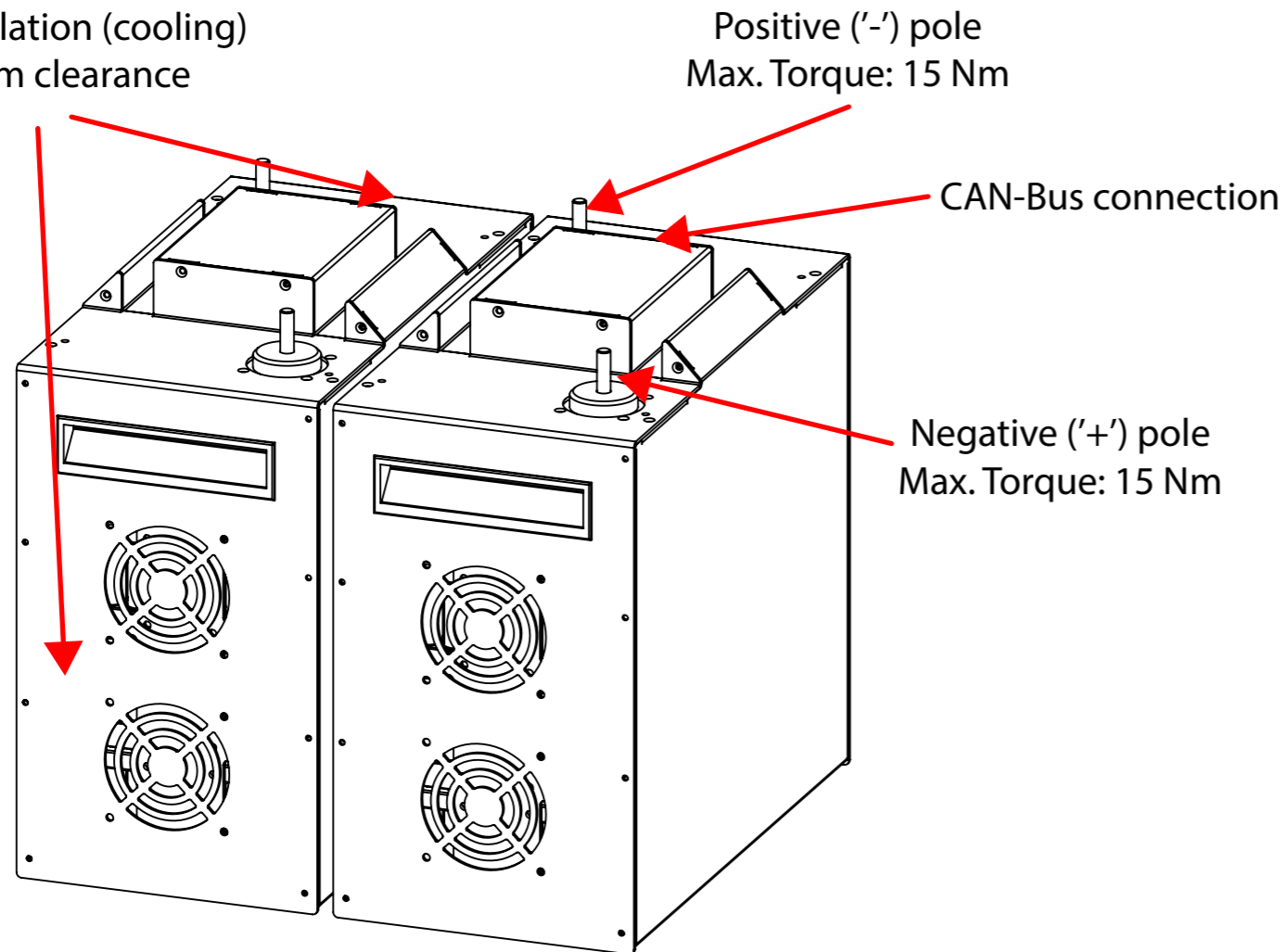


Front and back need to be clear
for ventilation (cooling)
50mm clearance



Minimum distance between
modules is 10mm.

