

# OPERATING INSTRUCTIONS

ZF 280-1 / Vertically offset

ZF 280-1A / Down-angle

ZF 280 IV / Integral Vee-drive (flanged on to engine)

MARINE PROPULSION SYSTEMS



---

Copyright © ZF Padova s.r.l.

This document is protected by copyright. Complete or partial reproduction or dissemination of this document is prohibited without the consent of ZF Friedrichshafen AG. Infringements lead to civil and criminal prosecution. This document is a translation of the Italian original.

---

## GENERAL CONTENTS

<b>1</b>	<b>Introduction</b>	_____	section 1
<b>2</b>	<b>Technical data</b>	_____	section 2
<b>3</b>	<b>Emergency control</b>	_____	section 3
<b>4</b>	<b>Installation</b>	_____	section 4
<b>5</b>	<b>Maintenance</b>	_____	section 5
<b>6</b>	<b>Troubleshooting</b>	_____	section 6
<b>7</b>	<b>Service centres</b>	_____	section 7

## INDICE GENERALE / INDEX GENERAL ÍNDICE GENERAL / INHALTSVERZEICHNIS

<b>1</b>	<b>Introduzione / Introduction</b>	_____	sezione/section 1
	<b>Introducción / Vorwort</b>		sección/abschnitt 1
<b>2</b>	<b>Dati tecnici / Données techniques</b>	_____	sezione/section 2
	<b>Datos técnicos / Technische Daten</b>		sección/abschnitt 2
<b>3</b>	<b>Dispositivi di emergenza / Dispositifs d'urgence</b>	_____	sezione/section 3
	<b>Dispositivos de emergencia / Notschaltungen</b>		sección/abschnitt 3
<b>4</b>	<b>Installazione / Installation</b>	_____	sezione/section 4
	<b>Instalación / Installation</b>		sección/abschnitt 4
<b>5</b>	<b>Manutenzione / Entretien</b>	_____	sezione/section 5
	<b>Mantenimiento / Wartung</b>		sección/abschnitt 5
<b>6</b>	<b>Inconvenienti e rimedi / Anomalies et solutions</b>	_____	sezione/section 6
	<b>Problemas y soluciones / Betriebsstörungen und Abhilfen</b>		sección/abschnitt 6
<b>7</b>	<b>Centri di assistenza / Centres d'assistance</b>	_____	sezione/section 7
	<b>Centros de asistencia / Service-Stationen</b>		sección/abschnitt 7

## INTRODUCTION

### RESPONSIBILITIES

The customer/operator is responsible for carrying out the maintenance checks described in this handbook to ensure the efficient and safe operation of the marine gearbox.

Each marine gearbox is covered by warranty, which is only valid if the instructions in this manual are strictly adhered to.


### ATTENTION

ZF PADOVA s.r.l. is not liable for any damage or loss caused by the incorrect installation, improper use or lack of maintenance of the equipment.

ZF PADOVA S.r.l. is not responsible for any torsional vibration caused by the incorrect interaction between engine, shaft and propeller. This torsional vibration may damage the engine and/or marine gearbox.

### MARINE GEARBOX IDENTIFICATION

The identification plate is affixed to the marine gearbox itself.

		
TYPE <input type="text"/>		
SERIAL No <input type="text"/>		RATIO <input type="text"/>
PART LIST No <input type="text"/>	CUSTOMER No <input type="text"/>	MASS DRY (kg) <input type="text"/>
Pleasure    Light    Medium    Continuous		
<input type="text"/>	<input type="text"/>	<input type="text"/>
OIL TYPE <input type="text"/>	OIL CAPACITY (L) <input type="text"/>	CLUTCH OIL PRESSURE(bar) <input type="text"/>
OIL CHANGE: after first 50 hours of operation and every 1000 hours or 12 months, whichever occurs first.		
<b>CHECK OIL LEVEL WEEKLY</b>		

ZF 280-1  
ZF 280-1A



Fig. 1

ZF 280 IV

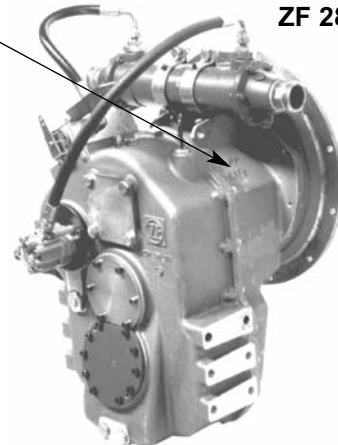


Fig. 2

**Read the instructions handbook before proceeding with the installation.**

The following symbols are used to highlight important information on technical reliability and safety:



This symbol denotes a procedure that could result in physical injury to the operator or to other persons in the vicinity if not followed correctly.



The warning symbol denotes procedures which, if not carried out or only partially carried out, may result in damage to the marine gearbox, engine or connected equipment.



Pay particular attention to these notes, as they contain important information.

### OPERATION

A marine gearbox has three main functions:

- to couple the engine to the propeller shaft and reduce the number of propeller revolutions;
- to reverse the direction of drive;
- to stop the movement of the propeller shaft (neutral).

A simplified diagram of the hydraulic circuit is shown below.

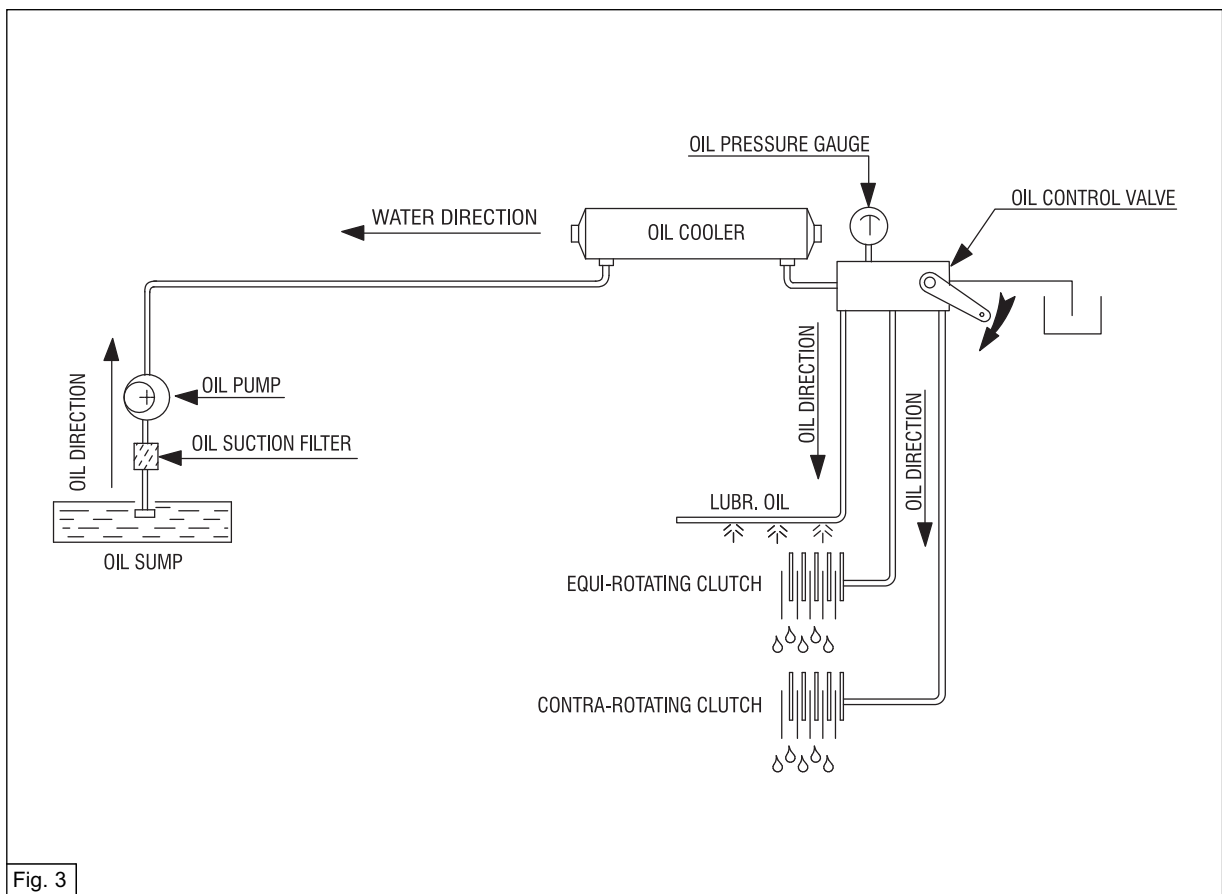


Fig. 3

The marine gearbox the following three operating modes:

**Neutral:**

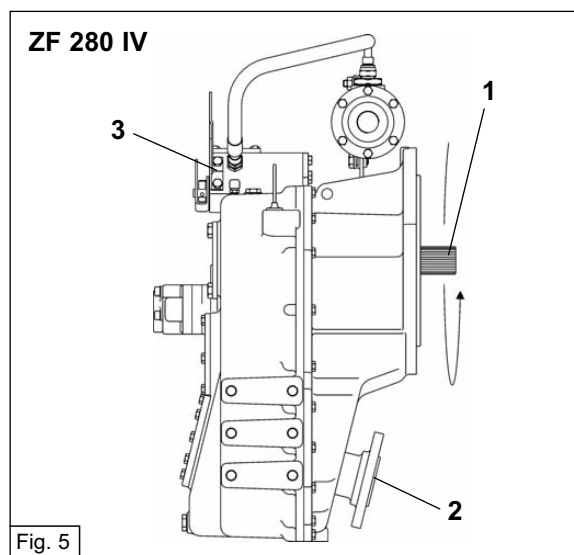
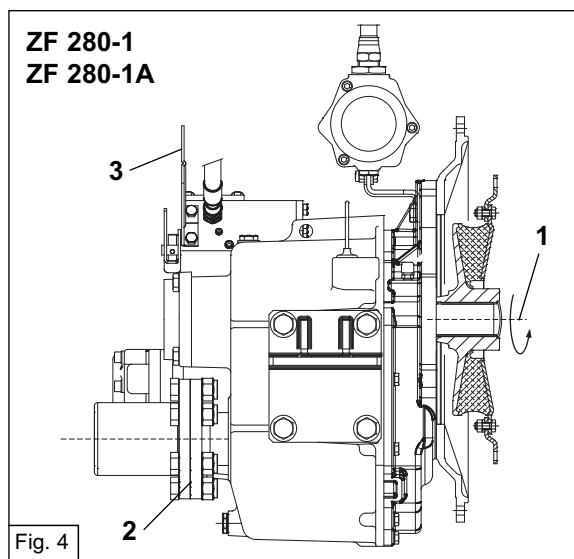
The output shaft [2] connected to the propeller shaft does not transmit any rotation. The clutches are disengaged.

**Engine rotation**

The output shaft [2] connected to the propeller shaft rotates in the same direction as the input shaft [1].

**Counter engine rotation**

The output shaft [2] connected to the propeller shaft rotates in the opposite direction to the input shaft [1].



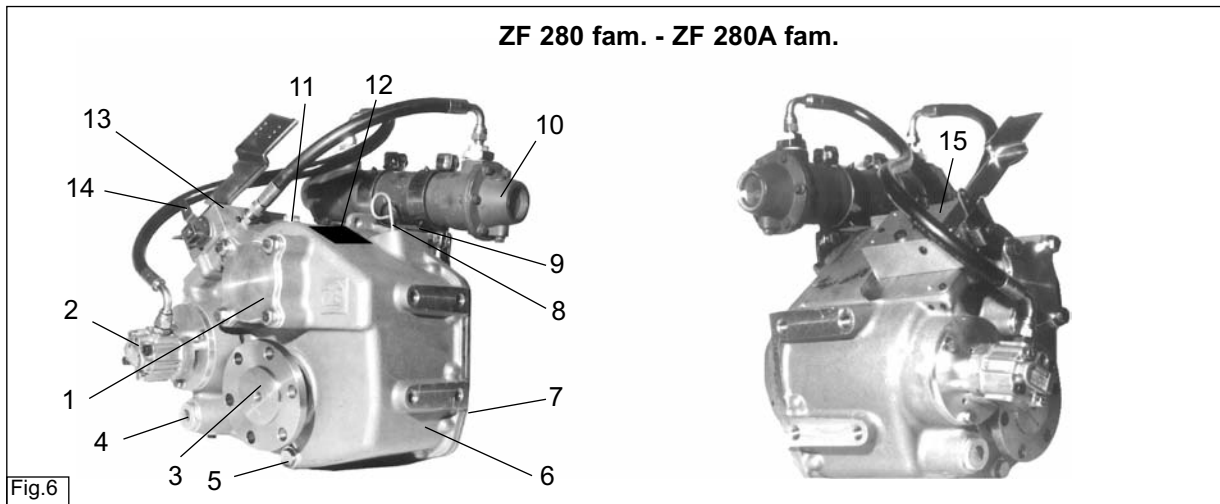
**E.R.=** direction of rotation same as direction of rotation of engine

**C.E.R.=** direction of rotation opposite to direction of rotation of engine

The transmission ratio, for both the engine and counter-engine rotation modes, is stated on the identification plate. The three types of operation are controlled by the control valve [3] (mechanical or electrical).

The gearbox can be supplied with or without optionals (oil cooler, flexible coupling, brackets, trolling valve).

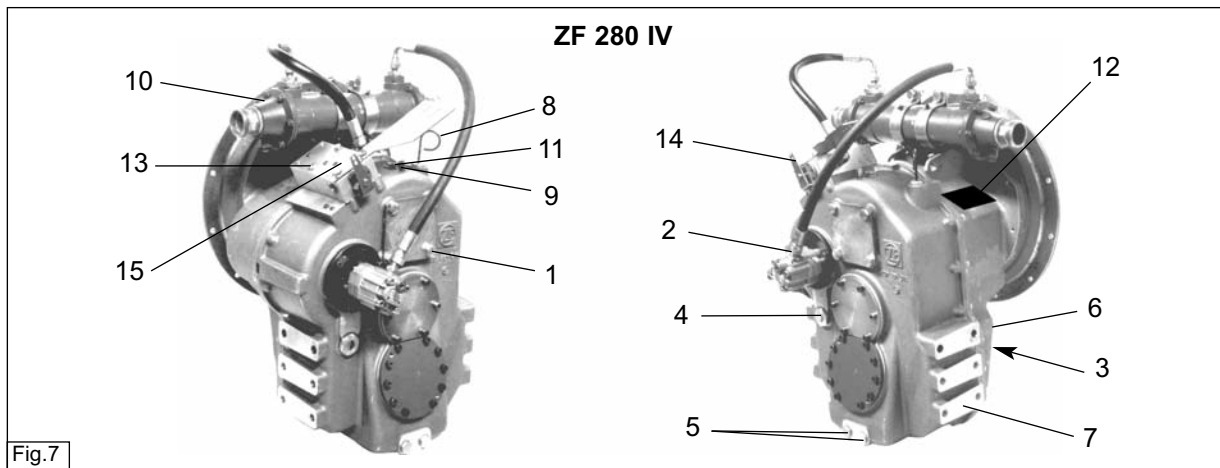
**Gearboxes are supplied without oil.**



Tab. 1

POS.	DESCRIPTION
1	PTO cover
2	Oil pump
3	Output shaft
4	Strainer / Oil filter
5	Drain plugs
6	Rear half housing
7	Front half housing
8	Oil dipstick

POS.	DESCRIPTION
9	Breather
10	Oil cooler
11	Filter plug
12	Identification plate
13	Control valve
14	Valve control lever
15	1/8 NPTF pressure connector



The gearbox must be filled with oil and the oil level checked before use. (see MAINTENANCE section)  
Using the gearbox with insufficient oil could damage the gears.  
Too much oil could cause leakages through the gaskets and breather and considerably increase the running temperature.

Under normal conditions, the drive should be reversed when the engine is idling.

**In emergencies, the drive can be reversed with the engine running at maximum speed.**

**Repeatedly reversing the drive with the engine running at maximum speed will considerably shorten the life of the clutches**



**Make sure the engine and propeller are at a standstill before carrying out any kind of operation on the gearbox.**

## **MECHANICAL TROLLING VALVE (M.T.V.)**

The trolling valve is a device that allows the number of propeller revolutions to be changed independently of the engine running speed. The M.T.V. is usually applied in the following circumstances:

- 1) when the boat speed is too high, even though the engine is idling.
- 2) when the rotation speed of the PTO must be greater than the propeller rotation speed.



The M.T.V. can be used in both drive directions and the maximum running speeds are:

- Maximum rotation speed = (max engine speed x 0.5) rpm, for engines with maximum running speeds less than 2000 rpm.
- Maximum rotation speed = (1000) rpm, for engines with maximum running speeds greater than 2000 rpm.

Actual propeller speed can be 30 - 70 % lower than propeller speed capacity, depending on gear box reduction ratio, propeller size and boat characteristics.

We recommend a range of use : 60 - 80 °C.

### **Use instructions**

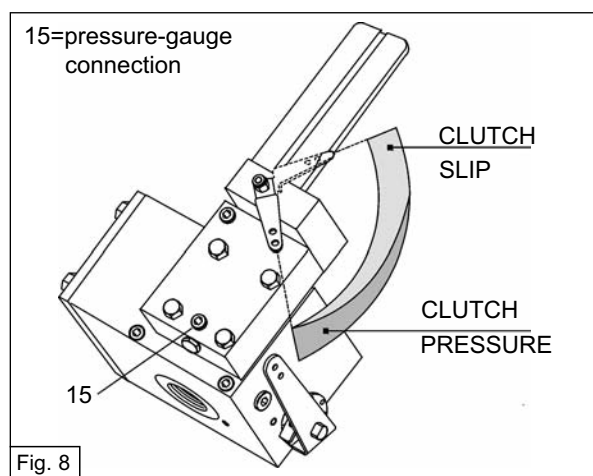


Check that the M.T.V. is deselected before engaging the gear. After engaging the gear, gradually move the M.T.V. lever until the desired manoeuvre speed is reached.

When operating with trolling valve, the number of revolutions can be changed within the limits given above.



**It is forbidden to reverse the drive when the M.T.V. is engaged.**



## **ELECTRIC TROLLING VALVE (E.T.V.)**

This is an electrical device that has the same functions and is used in the same way as the M.T.V. The E.T.V. operates via a proportional solenoid valve.



## CONTROL VALVE SHIFT CONTROL LINKAGE



When installing the shift control linkage, make sure the travel on the lever takes it right to the travel limit, when operated from the bridge console.

If it doesn't, this could result in the burning of the clutches because the oil flow rate will be too low.

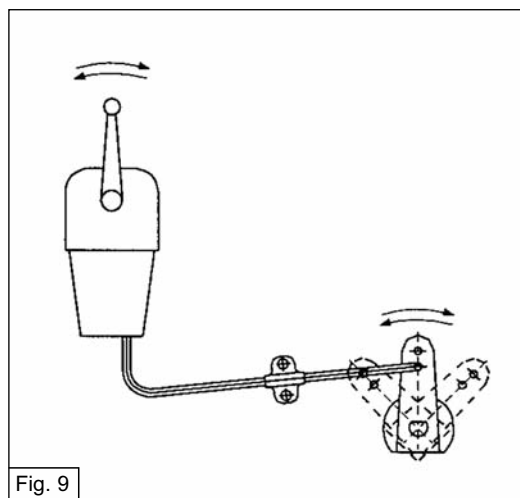


Fig. 9

## TOWING



Towing can be done continuously for 8 hours. Check that the oil temperature does not go over 80°C.

The position of the control lever is of no importance when the engine is off.



**Do not perform any operations on the transmission during towing, as the propeller may start turning.**

SECTION

**2**

## TECHNICAL DATA

Type	* Oil capacity (dm <sup>3</sup> )	Pump delivery (l/min at 1000rpm)	**Op. pressure (bar)	**Op. temperature (°C)
ZF 280-1	4 ÷ 5	8	23 ÷ 24	40 ÷ 80
ZF 280-1A	4 ÷ 5	8	23 ÷ 24	40 ÷ 80
ZF 280 IV	5 ÷ 6	8	23 ÷ 24	40 ÷ 80

### Notes

\* ) gearbox without optionals; (see "oil level check")

\*\* ) reference r.p.m: 1500

Use holes [5] and [15], as shown on page 7, for taking the readings.



You are advised to fit a pressure gauge (range 0-50 bar) into hole [15] and an oil temperature sensor into hole [5].

## OIL TYPES

Use the following oils (see norm ZF-TLM 04 edition02/2009):

### Lubricant class 04A

Monograde engine oil (API CD/CE/CF-4/CF/CG-4/CH-4/CI-4/SF/SG/SH/SJ/SL or ACEA categories A/B/E)

Viscosity grade: SAE 30, also SAE 40 in hot countries or when oil sump temperatures are above +80°C

#### Note:

1. All mineral oil-based trade products which satisfy the above specifications may be used. There will be no product listing.
2. For transmissions which are classified according to DNV, fluids of this class 04A may not be used. Instead of this fluids according to classes 04B or 04C may be used.

### Lubricant class 04B

Monograde engine oils

Viscosity grade: SAE 30, also SAE 40 in hot countries or when oil sump temperatures are above +80°C

#### Manufacturer (04B)

ADDINOL LUBE OIL GMBH, LEUNA/D  
ADDINOL LUBE OIL GMBH, LEUNA/D  
ANDEROL ITALIA SRL, VITTUONE(MI)/I  
ANDEROL ITALIA SRL, VITTUONE(MI)/I  
BAYWA AG, MÜNCHEN/D  
BEHRAN OIL CO., TEHRAN/IR  
BLASER SWISSLUBE AG, HASLE-RÜEGSAU/CH  
BLASER SWISSLUBE AG, HASLE-RÜEGSAU/CH  
BUCHER AG LANGENTHAL, LANGENTHAL/CH  
BUCHER AG LANGENTHAL, LANGENTHAL/CH  
CASTROL INTERNATIONAL, PANGBOURNE READING/GB  
CHEVRON BRASIL LTDA., RIO DE JANEIRO/BRAZIL  
CHEVRONTEXACO, GHENT/B  
CHEVRONTEXACO, GHENT/B  
DAF TRUCKS N.V., EINDHOVEN/NL  
EXXON MOBIL CORPORATION, FAIRFAX, VIRGINIA/USA  
EXXON MOBIL CORPORATION, FAIRFAX, VIRGINIA/USA  
EXXON MOBIL CORPORATION, FAIRFAX, VIRGINIA/USA  
FUCHS PETROLUB AG, MANNHEIM/D  
GINOUVES GEORGES SA, LA FARLEDE/F  
GINOUVES GEORGES SA, LA FARLEDE/F  
GULF OIL INTERNATIONAL, PITTSBURG/USA  
HUILES BERLIET S.A., SAINT PRIEST/F  
IGOL FRANCE SA, AMIENS/F  
INA MAZIVA RIJEKA, RIJEKA/HR  
INA MAZIVA RIJEKA, RIJEKA/HR  
INA MAZIVA RIJEKA, RIJEKA/HR  
INA MAZIVA RIJEKA, RIJEKA/HR  
KRAFFT S.L., ANDOAIN/E  
KUWAIT PETROLEUM R&T B.V., EUROPOORT RT/NL  
KUWAIT PETROLEUM R&T B.V., EUROPOORT RT/NL  
LIQUI MOLY GMBH, ULM/D  
LIQUI MOLY GMBH, ULM/D  
LLK FINLAND OY, HAMINA/FIN  
LLK FINLAND OY, HAMINA/FIN  
MAGNA INDUSTRIAL CO. LIMITED, HONG KONG/HK  
NEW PROCESS AG, TÜBACH/CH  
PAKELO MOTOR OIL S.R.L., SAN BONIFACIO (VR)/I  
PAKELO MOTOR OIL S.R.L., SAN BONIFACIO (VR)/I O  
PANOLIN AG, MADETSWIL/CH  
PANOLIN AG, MADETSWIL/CH  
PROFI-TECH GMBH, GINGEN/D  
S-OIL TOTAL LUBRICANTS CO. LTD., SEOUL/ROK  
SHELL INTERNATIONAL PETROLEUM COMP LTD, LONDON/GB  
SHELL INTERNATIONAL PETROLEUM COMP LTD, LONDON/GB  
SRS SCHMIERSTOFF VERTRIEB GMBH, SALZBERGEN/D  
SRS SCHMIERSTOFF VERTRIEB GMBH, SALZBERGEN/D  
STATOIL LUBRICANTS, STOCKHOLM/S  
STATOIL LUBRICANTS, STOCKHOLM/S  
STATOIL LUBRICANTS, STOCKHOLM/S  
STATOIL LUBRICANTS, STOCKHOLM/S  
STRUB + CO AG, REIDEN/CH  
TOTAL LUBRIFIANTS S.A., PARIS/F  
TOTAL LUBRIFIANTS S.A., PARIS/F  
TOTAL LUBRIFIANTS S.A., PARIS/F  
TOTAL LUBRIFIANTS S.A., PARIS/F  
TOTAL LUBRIFIANTS S.A., PARIS/F  
TOTAL LUBRIFIANTS S.A., PARIS/F

#### Trade name (04B)

ADDINOL TURBO DIESEL MD 305 SAE 30  
ADDINOL TURBO DIESEL MD 405 SAE 40  
ANDEROL MYTHOS SAE 30  
ANDEROL MYTHOS SAE 40  
TECTROL HDC 30  
BEHRAN TURBO DIESEL SAE 40  
BLASOL 30  
BLASOL 40  
MOTOREX EXTRA SAE30  
MOTOREX MULTI DF 30  
CASTROL TECTION MONOGRADE 30  
URSA TRANS SAE 40  
DELO GOLD SAE 30  
URSA SUPER LA 40  
DAF SUPER 30  
MOBIL DELVAC 1630 SAE 30  
MOBIL DELVAC 1640 SAE 40  
MOBILGARD 1 SHC (SAE40)  
TITAN UNIVERSAL HD 30  
YORK 730 SAE 30  
YORK 730 SAE 40  
GULF SUPER DUTY LE 30  
RTO PREXIMA 40  
TRANS TURBO 4 MONO 30  
INA GORGONELA S 30  
INA SAGARTIA 30  
INA SUPER 3 30  
INA SUPER 5 30  
MONOGRADO SUPER S-3 SAE 40  
Q8 MOZART DP SAE 30  
Q8 MOZART DP SAE 40  
LIQUI MOLY TOURING HIGH TECH HD 40  
TOURING HIGH TECH MOTOROIL SAE 30  
TEBOIL POWER D SAE 30  
TEBOIL POWER D SAE 40  
OMEGA 643 SAE 40  
MONO DIESEL SAE 30  
PAKELO PKO HD 4 SAE 30  
PAKELO PKO HD 4 SAE 40  
PANOLIN EXTRA DIESEL 30  
PANOLIN EXTRA DIESEL 40  
PROFI-CAR EXTRA C SAE 40  
TOTAL RUBIA S 30  
SHELL RIMULA R 3 +  
SHELL RIMULA X 30  
SRS REKORD 30  
SRS REKORD 40  
STATOIL DIESELWAY 30  
STATOIL DIESELWAY 40  
STATOIL MARWAY 1030  
STATOIL MARWAY 1040  
TURBO HD SAE 30  
TOTAL DISOLA M 3015 SAE 30  
TOTAL DISOLA M 4015 SAE 40  
TOTAL DISOLA MT 40  
TOTAL RUBIA FP 40  
TOTAL RUBIA S 30  
TOTAL RUBIA S 40

---

## Lubricant class 04C

Multigrade engine oil

Viscosity grades: SAE 5W-40 / 10W-40 / 15W-40

### Manufacturer (04C)

ADDINOL LUBE OIL GMBH, LEUNA/D  
AGIP SCHMIERTECHNIK GMBH, WÜRZBURG/D  
AGIP SCHMIERTECHNIK GMBH, WÜRZBURG/D  
AVIA MINERALÖL-AG, MÜNCHEN/D  
CEPSA LUBRICANTS S.A., MADRID/E  
CEPSA LUBRICANTS S.A., MADRID/E  
CEPSA LUBRICANTS S.A., MADRID/E  
CHEVRONTEXACO GLOBAL LUBRICANTS, SAN RAMON/USA  
CHEVRONTEXACO GLOBAL LUBRICANTS, SAN RAMON/USA  
ENI S.P.A. REFINING & MARKETING DIVISION, ROME/I  
EXXON MOBIL CORPORATION, FAIRFAX, VIRGINIA/USA  
EXXON MOBIL CORPORATION, FAIRFAX, VIRGINIA/USA  
INA MAZIVA RIJEKA, RIJEKA/HR  
INA MAZIVA RIJEKA, RIJEKA/HR  
KRAFFT S.L., ANDOAIN/E  
KUWAIT PETROLEUM R&T B.V., EUROPOORT RT/NL  
KUWAIT PETROLEUM R&T B.V., EUROPOORT RT/NL  
KUWAIT PETROLEUM R&T B.V., EUROPOORT RT/NL  
KUWAIT PETROLEUM R&T B.V., EUROPOORT RT/NL  
LIQUI MOLY GMBH, ULM/D  
NOVA STILMOIL SPA, MODENA/I  
PAKELO MOTOR OIL S.R.L., SAN BONIFACIO (VR)/I  
PAKELO MOTOR OIL S.R.L., SAN BONIFACIO (VR)/I  
PETRONAS LUBRICANTS BELGIUM NV, AARTSELAAR/B  
SHELL INTERNATIONAL PETROLEUM COMP LTD, LONDON/GB  
SHELL INTERNATIONAL PETROLEUM COMP LTD, LONDON/GB  
TOTAL LUBRIFIANTS S.A., PARIS/F  
TOTAL LUBRIFIANTS S.A., PARIS/F  
TOTAL LUBRIFIANTS S.A., PARIS/F

### Trade name (04C)

ADDINOL SUPER STAR MX 1547 SAE 15W-40  
AGIP BLITUM T SAE 15W-40  
AUTOL VALVE SHP SAE 15W-40  
AVILUB MULTI HDC-B 15W40  
CEPSA DIESEL TURBO SHPD 15W-40  
CEPSA EUROMAX 15W-40  
CEPSA SUPER MULTIGRADO SHPD 15W-40  
CALTEX DELO 400 MULTIGRADE SAE 15W-40  
CHEVRON DELO 400 MULTIGRADE SAE 15W-40  
AGIP SIGMA TURBO 15W-40  
MOBIL DELVAC 1 SHC  
MOBIL DELVAC XHP EXTRA 10W-40  
INA SUPER 3 15W-40  
INA SUPER 5 15W-40  
SUPERMULTIGRADO D 15W40  
Q8 T 400 SAE 15W-40  
Q8 T 500 SAE 15W-40  
Q8 T 710 SAE 15W-40  
Q8 T 750 SAE 15W-40  
TOURING HIGH TECH DIESELSPEZIALOIL SAE 15W-40  
ORION SUPER PLUS 15W40  
PAKELO GOLDEN D/G SAE 15W/40  
PAKELO PKO HD SUPER 4 SAE 15W/40  
FORZA SAE 15W40  
SHELL RIMULA R3 X 15W-40  
SHELL RIMULA X 15W-40  
TOTAL CAPRANO TD 15W-40  
CAPRANO TDH 15W-40  
TOTAL CAPRANO TDI 15W-40

## EMERGENCY CONTROL

**ELECTRICAL SYSTEM BREAKDOWN**

If a breakdown occurs in the electrical system or the solenoid valve solenoids, the clutches can be engaged manually with a mechanical system. To operate this system, remove the cap [2] (Fig. 10), press the button [3] (Fig. 11) and turn anti-clockwise.

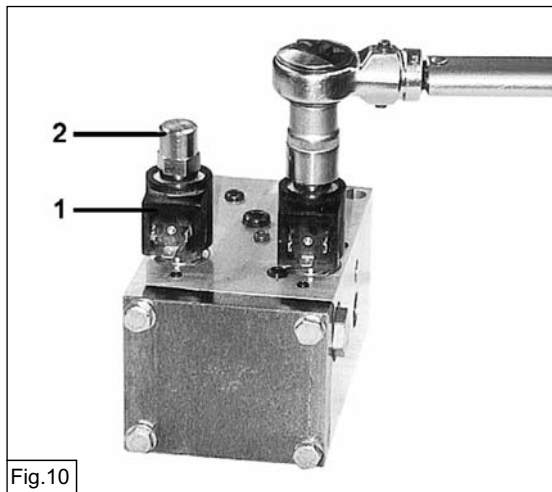


Fig.10

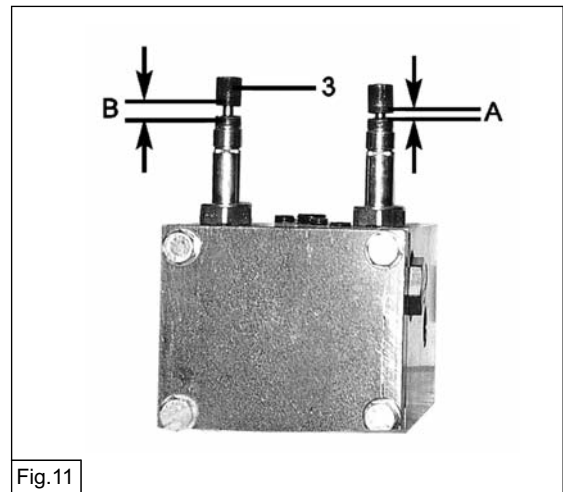


Fig.11

**A= valve closed (normal position)**  
**B= valve open (emergency position)**

To reset the electrical control valve, torque the cap Torque the solenoid valves to 27 Nm if they have been replaced or removed.



**Never perform this operation on both valves at once, as both clutches will engage at the same time and cause the transmission to lock up.**

## INSTALLATION

V-DRIVE gearbox is not flanged directly on to the engine. Make sure that the connecting cardan shaft does not transmit vibration which could damage the transmission.

V-DRIVE gearbox is installed separately, with a drive shaft and the foundation mounting can be either rigid or elastic.

If necessary, in addition to the normal flexible coupling fitted to the engine, fit an extra damper to absorb the vibration caused by an imperfect alignment.

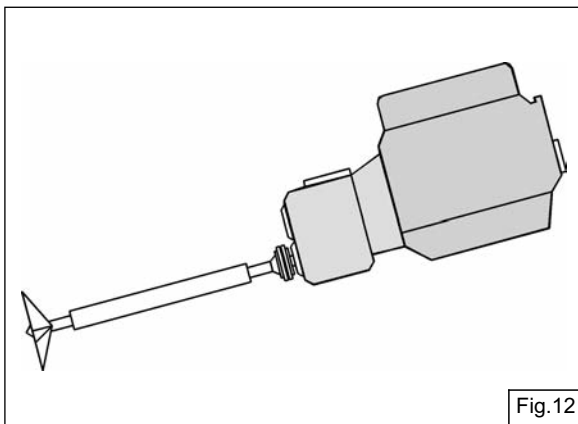


Fig. 12

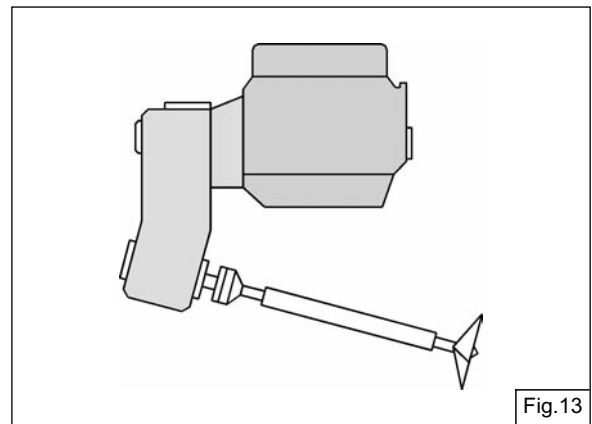


Fig. 13

### PROPELLER SHAFT CONNECTION

You are advised to use a thrust bearing to reduce the inevitable axial strain on the gearbox.

Performance data for the propeller shaft bearing will depend on the loads applied during operation, and must be specified by the designer and builder of the boat.

The alignment must be checked with the boat in the water, as the deformation of the hull in the water is enough to alter an alignment done on stands.



**X** [mm]  
0.05 max



**Y** [mm]  
0.1 max



**L** [mm]  
min. 500 for  $d < 60$  mm  
min. 1000 for  $d 60 \div 90$  mm  
min. 2000 for  $d > 90$  mm

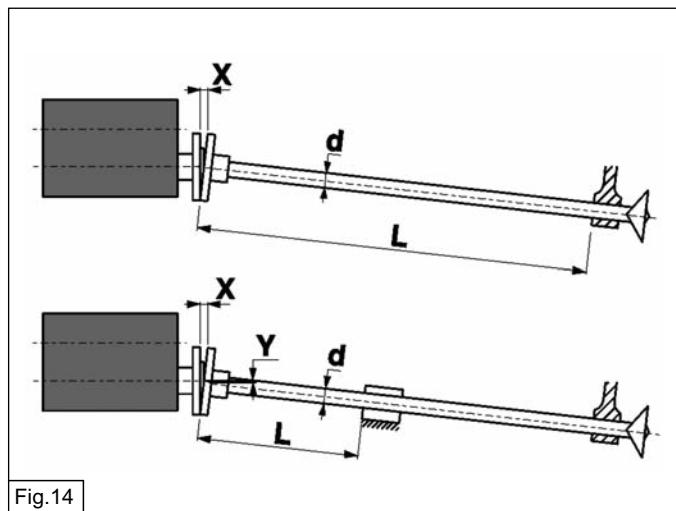


Fig. 14

## GEARBOXES V-DRIVE

The advice given in the preceding paragraph are also valid in this case. If the gearbox is installed separately, it is necessary to use a universal joint with variable length. To make the joint work in the best conditions (omokinetic transmission) and to avoid damaging the gearbox or the motor, it is necessary to respect some rules for the installation, as indicated in the following schemes.

### ALIGNMENT METHOD WITH PARALLEL FACES FLANGES



The motor and the gearbox must be installed so that flanges A and B are parallel.

- 1 Motor
- 2 Flexible coupling
- 3 Universal joint with variable length.
  - Selected in accordance with the manufacturer advice.
  - In compliance with the instructions for the installation.
- 4 Propeller axle.
- 5 Marine gearbox with input and output on the same face.

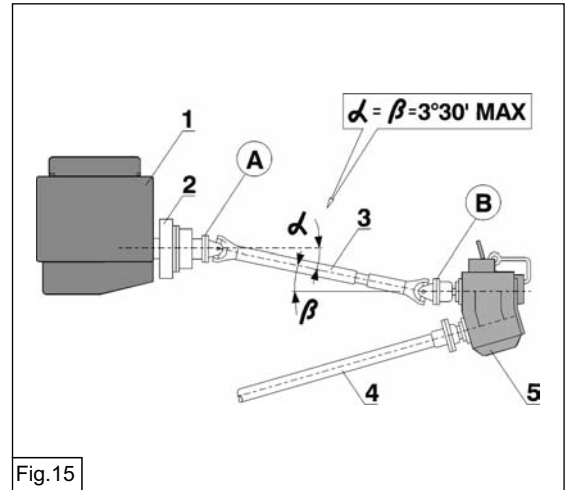


Fig. 15



Make sure the longitudinal axis of the flexible coupling, the universal joint and the gearbox input shaft are aligned on the same vertical plane.

### ALIGNMENT METHOD WITH COUNTERPOINT SHAFTS

- 1 Motor
  - 2 Gearbox
  - 3 Universal joint with variable length.
    - Selected in accordance with the manufacturer advice.
    - In compliance with the instructions for the installation.
  - 4 Propeller axle.
- To facilitate the correct alignment of the motor and the gearbox, that is to say to obtain identical connecting angles:  $\beta_1$  and  $\beta_2$ :
- install two alignment shafts 6 instead of the universal joint;
  - the shafts must have the same length;
  - align the two units so that the heads of the shafts meet each other, to ensure the angles identity ( $\beta_1$  and  $\beta_2$ );
  - then remove the alignment shafts and install the universal joint;
  - make sure the longitudinal axis of the flexible coupling, the gearbox alignment and input shafts are aligned on the same vertical plane.

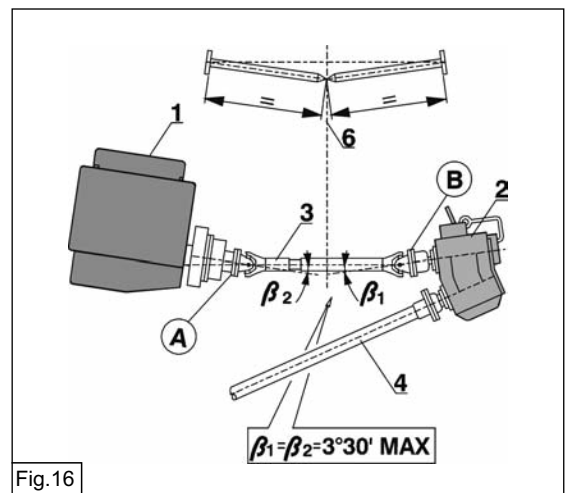


Fig. 16





An alignment error could cause irreversible damage to the transmission, together with noise, vibration and damage to the hull seal systems.

ZF Padova s.r.l. is relieved of all liability for breakage under warranty.

When installing the transmission, make sure enough space is left for maintenance access: i.e. changing the oil filter, dipstick access.

Check that the oil drain plug is easily accessible.

Tab. 3

PERMITTED INSTALLATION ANGLES FOR SAILING [°] (Referred to perpendicular and longitudinal axes of input shaft in relation to horizontal plane)	Longitudinal static	Pitch	Roll
	-5 ÷ + 10	-10 ÷ + 25	-15 ÷ + 15

SECTION

# 5

## MAINTENANCE

### MAINTENANCE SCHEDULE

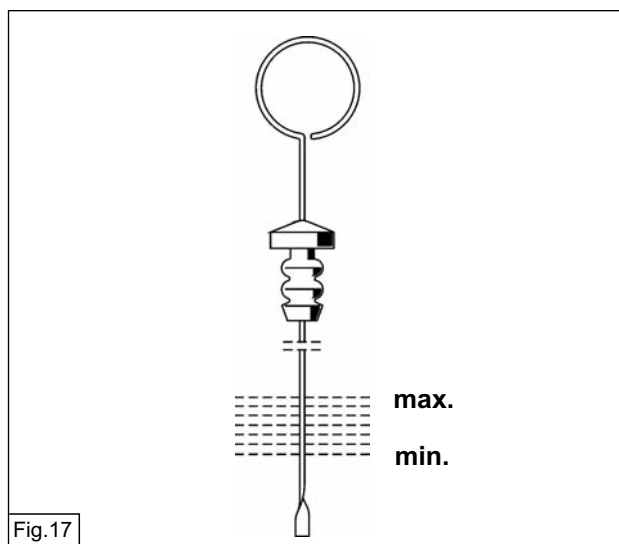
Tab. 4

Annually / 500 hours	Six-monthly / 250 hours	Daily	After the first 50 hours operation	MAINTENANCE OPERATIONS
✓	✓	✓		Check for oil leaks
✓	✓		✓	Check oil level
✓	✓		✓	Tighten all external threaded fasteners
✓	✓		✓	Adjust shift control linkage
✓	✓		✓	Suction filter
✓	✓			Clean transmission externally
✓	✓			Lubricate external moving parts
✓			✓	Oil change
✓				Inspect flexible coupling
✓				Resilient mounts
✓				Check instruments and indicators
✓				Replace zinc anodes
✓				Oil cooler

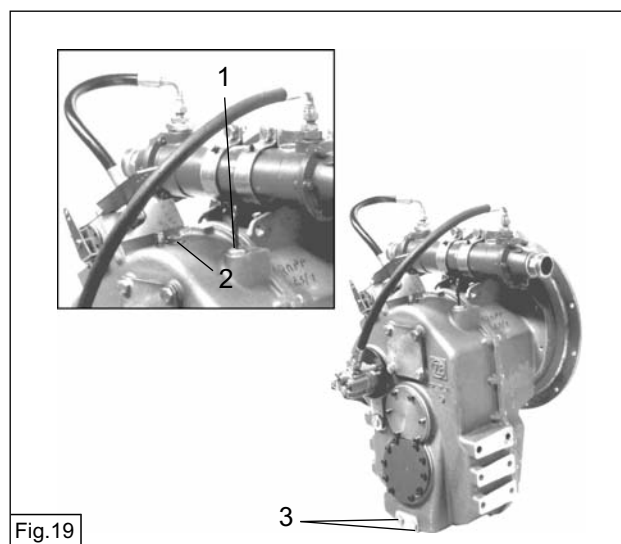
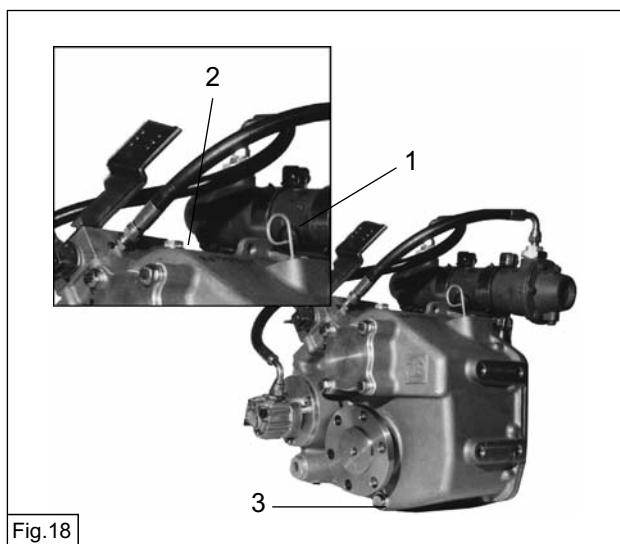
## OIL LEVEL CHECK

The oil level check must be done two minutes after turning off the engine. The correct oil level is between the upper and lower marks on the dipstick (see Fig.17).

After the initial filling or after carrying out repairs or changing the oil filter, run the gearbox for about two minutes. Following this, recheck the oil level two minutes after turning the engine off.



## CHANGING OIL



Remove the filler cap 2 and extract the oil level dipstick [1], as shown in the figure [18 - 19].

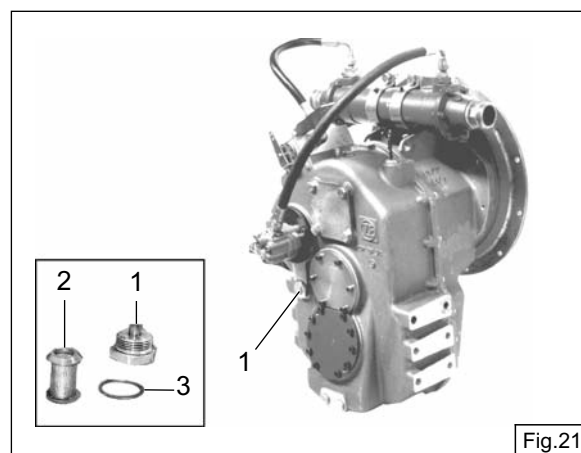
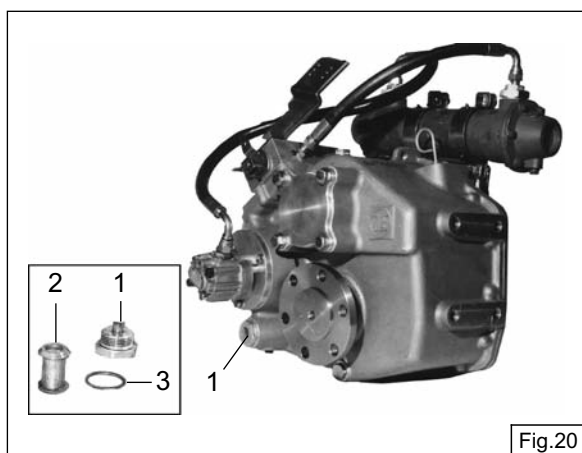
Drain off the lubricant oil by removing the drain plugs [3 figure 18 - 19], 2 saving the gaskets.

Collect the used oil and observe the binding rules for special waste disposal.

Screw in the plugs [3] [figure 18 - 19] to torque 90 Nm, fill with oil through the filler cap 2 and screw in the cap to torque 50 Nm.



## SUCTION FILTER CHECK



Inspect and clean the suction filter after the first 50 hours of sailing and then repeat every 250 hours and/or 6 months. The filter is located on the inlet side of the oil pump. Removal procedure: take out the plug [1], remove the filter [2], remove the gasket [3] (replacing it with a new one) and clean the filter. The plug M38x1.5 [1] must be screwed in to torque 120 Nm.

## ADJUSTING SHIFT CONTROL LINKAGE

With the engine off, unplug the shift control linkage connecting cable with the control valve lever. Put the lever in the forward drive position. Select the same direction with the bridge console control lever and check that the positions of the respective couplers (lever/cable) coincide. Repeat the operation for the opposite direction and, if any irregularities are found, adjust the linkage accordingly. Now check that the neutral position of the lever at the console coincides with the neutral position of the control valve lever. Repeat the operation on the "Flying Bridge", if present. This operation must also be repeated after the first few hours of running.

---

## ***CHECKING FLEXIBLE COUPLINGS***

Replace the flexible coupling if, on close inspection, the rubber part has tears or is contaminated with lubricating oil.



**Remove the ignition key before cranking the engine.**

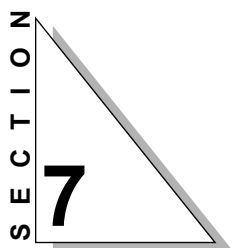


Do not use chemicals on rubber components. Check that all threaded parts are tight. Lubricate the moving parts of the shift linkage periodically as indicated by the manufacturer.

**TROUBLESHOOTING**

<b>SYMPTOMS</b>	<b>CAUSES</b>	<b>RIMEDIES</b>
1) No oil pressure in the main circuit or lubrication in neutral or in gear position	1 - No oil in gearcase	- Fill with oil
	2 - Suction filter completely clogged	* - Remove and clean the filter
	3- Pump drive coupling broken	* - Remove pump and replace coupling
2) Low oil pressure with drive engaged	1 - Oil level too low	- Insufficient oil level
	2 - Incorrect position of gear shift lever	- Register the control in the distributor
	3 - Suction filter partially clogged	- Replace with prescribed oil
	4 - Incorrect oil type	
	5 -Trolling lever in trolling range (if present)	
3) High oil temperature	1 - Water flow rate in oil cooler too low	* - Replace valves and pipelines with others of larger internal diameter
	2 - Oil cooler dirty	* - Clean oil cooler
	3 - Oil level too high or too low.	- Restore normal level
	4 - Incorrect oil type	- Drain gearbox and fill with correct grade
	5 - Clutch slipping	- Check operating pressure
4) Oil level fluctuating	1 - Inefficient or erratic oil/water heat exchange	* - Replace oil cooler

\* You are advised to contact authorised ZF service centres to rectify the points marked with this symbol.



## SERVICE CENTRES

### SALES, AFTERSALES & SERVICE COMPETENCE CENTERS

ZF utilizes a global network of factory owned locations and independent business partners to support our customers. Approximately 400 partners worldwide are dedicated to Sales, Aftersales and Service of ZF marine products. To find your nearest ZF product support, please contact your Regional Competence Center from the list below or visit: [www.zf.com](http://www.zf.com) and follow: Products & Services/Service network to find a ZF partner in your country.

[service.marine@zf.com](mailto:service.marine@zf.com)  
[www.zf.com/contact](http://www.zf.com/contact)

### PRODUCT COMPETENCE CENTERS

**ZF Padova s.r.l.\***  
Via Penghe, 48  
35030 Caselle di Selvazzano (PD)  
ITALY  
Phone: +39 049 8299-311  
[info.zfpadova@zf.com](mailto:info.zfpadova@zf.com)

**ZF Padova s.r.l. – location Arco\***  
Via S. Andrea, 16  
38062 Arco (Trento)  
ITALY  
Phone: +39 0464 580-555  
[service.marine@zf.com](mailto:service.marine@zf.com)

**ZF Friedrichshafen AG\* Marine Propulsion Systems**  
Ehlersstr. 50  
88046 Friedrichshafen  
GERMANY  
Phone: +49 7541 77 2207  
[service.marine@zf.com](mailto:service.marine@zf.com)

**ZF Marine Krimpen B.V.\***  
Zaag 27, P.O. Box 2020  
2930 AA Krimpen aan de Lek  
THE NETHERLANDS  
Phone: +31 180 331-000  
[service.marine@zf.com](mailto:service.marine@zf.com)

**ZF Faster Propulsion System Co., Ltd.\***  
17, Dayou 1st Street  
Dafa Industrial District  
Daliao District  
83163 Kaohsiung City TAIWAN, R.O.C.  
Phone: +886 7 787 1831  
[info.kaohsiung@zf.com](mailto:info.kaohsiung@zf.com)

\* Manufacturing locations

### EUROPE LOCAL COMPETENCE CENTERS

**CYPRUS**  
**Char. Pilakoutas (Industrial) Ltd.**  
7, Larnacos Str, 1035  
P.O. Box 21168 1503 Nicosia  
CYPRUS  
Phone: +357 225 8630 0  
[industrial@charpilakoutas.com.cy](mailto:industrial@charpilakoutas.com.cy)  
[www.pilakoutas-industrial.com](http://www.pilakoutas-industrial.com)

**CROATIA**  
**duing, d.o.o.**  
Stupari 18b  
51216 Viškovo  
CROATIA  
Phone: +385 51 683 242  
[zf-marine@duing.hr](mailto:zf-marine@duing.hr)  
[www.duing.hr](http://www.duing.hr)

**DENMARK**  
**ZF danmark ApS**  
Taastrupgaardsve 8-10  
2630 Taastrup  
DENMARK  
Phone: +45 70 2262 43  
[zfdk@zf.com](mailto:zfdk@zf.com)

**ESTONIA**  
**Baltic Marine Group AS**  
Paljassaare tee 14  
10313 Tallinn  
ESTONIA  
Phone: +372 68333 00  
[bm@bm.ee](mailto:bm@bm.ee)

**FINLAND**  
**Atoy oy**  
ruukintie 7-9  
02330 Espoo  
FINLAND  
Phone: +358 9 682 71  
[zf@atoy.fi](mailto:zf@atoy.fi)

**FRANCE**  
**ZF Services France SAS**  
3-11 rue Henri Poincaré  
92167 Antony Cedex  
FRANCE  
Phone: +33 170 7479 59  
[marine.zf-france@zf.com](mailto:marine.zf-france@zf.com)

**GERMANY**  
**ZF Friedrichshafen AG Marine Propulsion Systems**  
Zamdorferstrasse 90  
81677 München  
GERMANY  
Phone: +49 89 930 094 63/64  
Fax: +49 89 930 094 21  
[guenther.koepfel@zf.com](mailto:guenther.koepfel@zf.com)

**Otto Piening Gmbh**  
Am Altendeich 83  
25348 Blomesche Wildnis  
GERMANY  
Phone: +49 4124 9168 0  
Fax: +49 4124 3716  
[Luetjens@piening-propeller.de](mailto:Luetjens@piening-propeller.de)  
[www.piening-propeller.de](http://www.piening-propeller.de)

---

**GREECE**

**K. & e. Malerdos Co.**  
20, Ymittou str  
18 540 Piraeus  
GREECE  
Phone: +30 210 417 9693  
malerdos@malerdos.gr  
www.malerdos.gr

**Tekmar ltd.**

15 Ethn. makariou Str.  
18 547 Neofaliro, Piraeus  
GREECE  
Phone: +30 210 4820 814  
tekmar@hol.gr

**Ariexpo S.A.**

68, Alimou Avenue, Alimos  
17 455 Athens  
GREECE  
Phone: +30 210 984 3863  
ariexpo@tee.gr  
www.ariexpo.gr

**MALTA**

**oceans**  
17, main Street  
Zurrieq ZrQ 03  
MALTA  
Phone: +356 21 640 703  
mylake@maltanet.net

**NORWAY**

**KGK Norge As**  
Caspas Storms vei 19  
0664 Oslo  
NORWAY  
Phone: +47 22 8846 80  
firmapost@kgk.no  
henning.fjeldberg@kgk.no

**POLAND**

**Marine Works**  
Grunwaldzka 212  
80266 Gdansk  
POLAND  
Phone: +48 58 324-4930  
www.marineworks.eu

**SPAIN**

**ZF Services España, S.A.U.**  
Avenida Fuentemar, 11  
28823 Coslada (Madrid)  
SPAIN  
Phone: +34 91 485 2698  
jorge.torre@zf.com

**SWEDEN**

**KG Knutsson Ab**  
**Transmissionsdivisionen**  
Ruskvädersgatan 10  
41834 Göteborg  
SWEDEN  
Phone: +46 31 648 800  
per.svensson@kgk.se

**KG Knutsson Ab**

**Transmissionsdivisionen**  
Hammarbacken 8  
19149 Sollentuna (Stockholm)  
SWEDEN  
Phone: +46 8 923 000  
Fax: +46 8 929 599  
tomas.lofvenberg@kgk.se

**THE NETHERLANDS**

**ADSvanSTIGT**  
Avelingen West 30  
4202 MS Gorinchem  
THE NETHERLANDS  
Phone: +31 183 650 000  
info@vanstigt.com

**TURKEY**

**ZF Services türk San. Ve tic. A.S.**  
**ZF Marine Eurasia**  
Adil mah. Demokrasi Cad. no:17  
34935 Sultanbeyli, Istanbul  
TURKEY  
Phone: +90 216 592 1144  
info.zfmarine.eurasia@zf.com

**UNITED KINGDOM**

**ZF Services UK**  
Abbeyfield Road  
Lenton  
Nottingham NG7 2SX  
ENGLAND  
Phone: +44 844 257 0333  
peter.nelmes@zf.com

---

**NORTH AMERICA, MEXICO,  
CENTRAL AMERICA, CARIBBEAN  
REGIONAL COMPETENCE CENTER**

**ZF Marine Propulsion Systems**  
**Miramar, LLC**  
15351 SW 29th Street, Suite 300  
Miramar, Florida 33027  
USA  
Phone: +1 954 441 4040  
service.marine.na@zf.com

**LOCAL COMPETENCE CENTERS**

**ZF Marine Propulsion Systems**  
**Miramar, LLC**  
3903 Columbia Avenue  
Linwood, PA 19061  
USA  
Phone: +1 610 328 0176

**ZF Marine Propulsion Systems**  
**Miramar, LLC**  
12125 Harbor Reach Drive  
Ste. B  
Mukilteo, WA 98275  
USA  
Phone: +1 425 583 1900

**ZF Marine Propulsion Systems**  
**Miramar, LLC**  
161 James Drive West  
Suite 120  
St. rose, LA 70087  
USA  
Phone: +1 504 443 0501

---

## **SOUTH AMERICA REGIONAL COMPETENCE CENTER**

**ZF do Brasil Ltda**  
Av. Conde Zeppelin, 1935 Eden  
18103-000 Sorocaba-SP  
BRAZIL  
Phone: +55 15 4009 2158  
service.marine.sa@zf.com

### **LOCAL COMPETENCE CENTERS**

**ARGENTINA**  
**Transmisiones Marinas S.A.**  
Hernandarias 3656  
B7603GNH Mar Del Plata  
ARGENTINA  
Phone: +54 223 480 7174  
tm@tmgroup.com.ar  
www.tmgroup.com.ar

**CHILE**  
**Euro-American Diésel Chile SpA.**  
Cerro Los Cóndores 141-A  
Quilicura  
Santiago  
CHILE  
Phone: +56 2 27471085  
Mobile: +56 9 890011290  
Fax: +56 2 27471085  
glarenas@eadc.cl  
www.eadc.cl

**COLOMBIA**  
**LJPROCenter**  
Km 3 Vía Mamonal  
Cra 56 # 1-340  
Cartagena  
COLOMBIA  
Phone: +57 320 549 1818  
Mobile: +1 954 246 9802  
luis@ljpropcenter.com  
www.ljpropcenter.com

**ECUADOR**  
**Comercial de Productos  
Industriales y Marinos S.A.**  
"COPRIMARSA"  
Km 12.5 Vía a Daule Urb.  
Colina del Sol mz. 2021 V.5  
Guayaquil – Guayas  
ECUADOR  
Phone: +593 4 2017489  
mobile: +593 9 99613032 - 1235328  
Fax: +593 4 2017490  
coprimarsa@gmail.com  
www.coprimarsa.amawebs.com

**Peru**  
**PGO INTERNATIONAL S.A.C.**  
Calle Toribio Pacheco 390  
Miraflores  
Lima 18  
PERU  
Phone: +51 1421 6055  
Mobile: +51 999 654283  
pgorbegoso@pgoperu.com

**VENEZUELA**  
**Sistemas de Propulsión C.A.**  
Avda 67 A, Pl. 04,  
entre calles 149A y 149B  
Municipio San Francisco  
Maracaibo, Estado Zulia  
VENEZUELA  
Phone: +58 261 736 2575  
Fax: +58 261 736 3415  
m.graticola@sistemasdepropulsion.com  
www.sistemasdepropulsion.com

---

## **ASIA PACIFIC REGIONAL COMPETENCE CENTER**

**ZF Asia Pacific Pte. Ltd.**  
20 Harbour Drive  
06-01 PSA Vista  
Singapore, 117612 SinGAPOrE  
Phone +65 6773-7551  
info.zf-services.sg@zf.com  
www.zf.com/ap

### **LOCAL COMPETENCE CENTERS**

**AUSTRALIA**  
**ZF Services Australia Pty Ltd.**  
14 Lidco Street  
Arndell Park NSW 2148  
AUSTRALIA  
Phone: +61 2 9679-5555  
info.zf-services.au@zf.com

**ZF Services Australia Pty Ltd. (WA)**  
2 Pavers Circle  
Malaga WA 6090  
AUSTRALIA  
Phone: +61 8 9248-1096  
info.zf-services.au@zf.com

**ZF Services Australia Pty Ltd. (Vict)**  
Unit C13, 2A Westall Road  
Clayton Vict. 3168  
AUSTRALIA  
Phone: +61 3 9265-2032  
info.zf-services.au@zf.com

**CHINA**  
**ZF Services (China) Co., Ltd.**  
No 162 Luoxiu Road  
Xuhui District  
Shanghai, 200023  
P.R. CHINA  
Phone: +86 21 2350-0600  
info.zf-services.cn@zf.com  
www.zf.com/cn

**Holyfort Industrial (HK) Ltd. (China office)**  
Unit 806, Yu Yi Industrial Bldg.  
Shekou Fishing Port  
Wanghai Rd., Nanshan Dist.  
Shenzhen 518067 Guangdong Province  
P.R. CHINA  
Phone: +86-755-2669 4351  
info.zf-services.cn@zf.com  
sales@holyfort.com

---

**HONG KONG**

Foilborne Engineering Ltd.  
Unit A8-9, 13/F, Veristrong  
Industrial Centre  
34-36 An Pui Wan Street  
Fo-Tan, Shatin,  
N.T. HONG KONG  
Phone: +85 2687 2988  
foilborne@foilborne.com.hk

**INDIA**

ZF Marine Middle east LLC  
India Branch  
A 308, Gokul Arcade  
Sahar Road, Vile Parle (East)  
Mumbai-57  
INDIA  
Phone: +91 22 6758-4658

**JAPAN**

ZF Japan Co. Ltd.  
Palazzo Astec 7, 8F – 2-8-1  
Higashi Shimbashi, Minato-ku  
Tokyo 105-0021  
JAPAN  
Phone: +81 3 4590-7700  
info.tjy@zf.com

**MIDDLE EAST**

ZF Marine Middle East LLC  
Ras Al Khor Ind. Area-2  
Al Aweer, Al Kharbash Building  
P.O. Box 60203, Dubai  
U.A.E.  
Phone: +971 (0) 4 333 1530  
service.marine.me@zf.com

**KOREA (SOUTH)**

ZF Services Korea Co. Ltd.  
422-2 Chongchon-dong  
Bupyong-Gu  
Incheon 403-032  
REP. OF KOREA  
Phone: +82 32 505-1508  
ouksang.park@zf.com  
service.marine.ind@zf.com

---

**AFRICA****REGIONAL COMPETENCE CENTER**

ZF Services South Africa (Pty) Ltd. – Cape town branch  
29 Proton Crescent  
Stikland Bellville 7530  
SOUTH AFRICA  
Phone: +27 21 950-9300  
info.zfsa@zf.com

**LOCAL COMPETENCE CENTERS****MAROKKO, MAURETANIEN, SENEGAL**

CAPCI s.a.r.l  
78 Rue El Houd Houd  
(Ex: Calais)  
Casablanca, Morocco 20000  
Phone: +212 522 20 01 90 91  
Fax: +212 522 27 88 49  
info@capci.ma

**ALGERIA**

ZF Algérie S.a.r.l.  
143A Postfach B.P.  
Route nationale no.5  
16300 Rouiba  
ALGERIA  
Phone: +213 21 817595

---

**RUSSIA****REGIONAL COMPETENCE CENTER**

ZF Marine Russia  
Salova Street, 53 Building 1A  
192102 Saint Petersburg  
RUSSIA  
Phone: +7 812 449 92 96  
service.marine.ru@zf.com

---

Copyright © ZF Padova s.r.l.

Il presente documento è coperto da copyright.

La riproduzione e/o la distribuzione completa o parziale dello stesso è vietata senza l'esplicita autorizzazione di ZF Friedrichshafen AG. Eventuali trasgressioni verranno perseguite penalmente e civilmente.

Copyright © ZF Padova s.r.l.

Le présent document est protégé par le droit d'auteur.

Toute reproduction ou diffusion intégrale ou partielle de ce document est strictement interdite sans l'autorisation préalable de ZF Friedrichshafen AG.

Toute atteinte à ces droits intellectuels peut donner lieu à des poursuites civiles et pénales.

Le présent document est une traduction du texte original italien.

Copyright © ZF Padova s.r.l.

La presente documentación está protegida por los derechos de autor.

Sin la autorización de la empresa ZF Friedrichshafen AG, queda prohibida la reproducción y distribución total o parcial de esta documentación. Las infracciones serán perseguidas conforme al derecho penal y civil.

La presente documentación es una traducción de la versión original italiana.

Copyright © ZF Padova s.r.l.

Das vorliegende Dokument ist urheberrechtlich geschützt.

Die vollständige oder auszugsweise Vervielfältigung und Verbreitung dieses Dokuments ist ohne die Genehmigung der ZF Friedrichshafen AG untersagt. Zuwiderhandlungen werden zivil- und strafrechtlich verfolgt.

Das vorliegende Dokument ist eine Übersetzung des italienischen Originals.



## INTRODUZIONE / INTRODUCTION INTRODUCCIÓN / VORWORT

### RESPONSABILITÀ

Il cliente/operatore è responsabile dei controlli di manutenzione descritti in questo manuale per un buon funzionamento dell'invertitore in piena sicurezza.

Ogni invertitore è coperto da garanzia, di conseguenza per la validità della stessa, le istruzioni contenute in questo manuale sono da seguire scrupolosamente.

### ATTENZIONE

La ZF PADOVA S.r.l. non è responsabile per qualsiasi danno o perdita causati da errate installazioni, uso sbagliato dell'attrezzatura e insufficiente manutenzione.

La ZF PADOVA S.r.l. non è responsabile delle vibrazioni torsionali causate da un'errata iterazione tra motore, albero e elica. Tali vibrazioni torsionali possono danneggiare il motore e/o l'invertitore.

### RESPONSABILIDAD

El cliente/operador es responsable de realizar las inspecciones de mantenimiento que este manual describe como necesarias para que el inversor funcione con la máxima seguridad.

Cada inversor está cubierto por una garantía cuya validez caduca si el cliente/operador no cumple con las instrucciones del manual.

### ATENCIÓN

ZF PADOVA S.r.l. no es responsable de los daños o perjuicios de ninguna naturaleza que han sido causa dos por la instalación errónea, el uso incorrecto o el mantenimiento insuficiente de esta máquina.

ZF PADOVA S.r.l. no es responsable de las vibraciones torsionales causadas por la interacción del motor, la hélice y el árbol. Este tipo de vibraciones puede causar daños en el motor y en el inversor.

### RESPONSABILITÉ

Le client/opérateur est responsable des contrôles d'entretien décrits dans ce manuel et permettant à l'inverseur de fonctionner correctement et en toute sécurité.

Chaque inverseur est couvert d'une garantie. Pour que cette dernière soit valable, il est nécessaire de respecter scrupuleusement toutes les instructions présentées dans ce manuel.

### ATTENTION

ZF ZF PADOVA S.r.l. ne sera responsable d'aucun dommage et d'aucune perte dû à des installations erronées, aux mauvais emplois des équipements ou à des négligences d'entretien.

ZF PADOVA S.r.l. ne sera pas responsable des vibrations torsionnelles dues à une mauvaise itération entre le moteur, l'arbre et l'hélice. De telles vibrations torsionnelles sont susceptibles d'endommager le moteur et/ou l'inverseur.

### VERANTWORTUNG

Der Kunde/Benutzer ist verantwortlich für die in diesem Handbuch beschriebenen Kontrollen und Wartungsarbeiten, die erforderlich sind, um einen einwandfreien Betrieb des Getriebes in voller Sicherheit zu gewährleisten.

Jedes Getriebe ist mit einer Garantie gedeckt, für deren Gültigkeit die in diesem Handbuch enthaltenen Anleitungen strikt befolgt werden müssen.

### ACHTUNG

Die Firma ZF PADOVA S.r.l. ist nicht haftbar für Schäden oder Verluste infolge fehlerhaftem Einbau, falschem Gebrauch und unzureichender Wartung des Getriebes.

Die Firma ZF PADOVA S.r.l. ist nicht haftbar für Längsdrehschwingungen, die durch ein falsches Zusammenwirken von Motor, Welle und Propeller verursacht werden. Durch solche Längsdrehschwingungen können Motor und/oder Getriebe beschädigt werden.

## IDENTIFICAZIONE DELL'INVERTITORE

La targa di identificazione è applicata sull'invertitore.

**Prima di procedere all'installazione, si raccomanda la lettura del manuale d'istruzioni.**

Per importanti informazioni riguardanti l'affidabilità tecnica e la sicurezza, sono state adottate le seguenti convenzioni:



Le indicazioni di pericolo indicano quelle procedure la cui mancata o parziale osservanza può produrre danni fisici all'operatore.



Le indicazioni d'attenzione indicano quelle procedure la cui mancata o parziale osservanza può produrre danni all'invertitore, al motore e alle apparecchiature collegate.



Le note contengono informazioni importanti, per le quali si deve prestare una particolare attenzione.

## IDENTIFICATION DE L'INVERSEUR

La plaque d'identification est appliquée sur l'inverseur.

**Avant de passer à l'installation de l'inverseur, il est recommandé de lire le manuel d'instructions.**

Pour des informations importantes concernant la fiabilité technique et la sécurité, les conventions adoptées sont les suivantes:



Les indications Danger indiquent les procédures dont le nonaccomplissement, total ou partiel, peut provoquer des dommages physiques à l'opérateur.



Les indications Attention indiquent les procédures dont le non-accomplissement, total ou partiel, peut provoquer des dommages à l'inverseur ou aux appareils qui lui sont raccordés.



Les remarques contiennent des informations importantes auxquelles il est nécessaire de prêter une attention particulière.

## IDENTIFICACIÓN DEL INVERSOR

El inversor lleva aplicada una placa de identificación.

**Recomendamos leer el manual de instrucciones antes de comenzar a instalar el inversor.**

Para dar mayor resalto a los datos de fiabilidad técnica y seguridad se han adoptado las siguientes convenciones:



Las indicaciones de peligro se refieren a procedimientos cuya ejecución parcial u omisión puede causar lesiones físicas al operador.



Las indicaciones de atención se refieren a procedimientos cuya ejecución parcial u omisión puede causar daños al inversor, al motor o a los dispositivos con los que están conectados.



Las notas imparten información importante que es obligatorio leer con atención.

## KENNZEICHNUNG DES GETRIEBES

Das Typenschild ist am Getriebe angebracht.

**Vor Einbau des Getriebes muss unbedingt die Betriebsanleitung durchgelesen werden.**

Für wichtige Informationen zur technischen Zuverlässigkeit und Sicherheit wurden folgende Symbole benutzt:



Mit den Gefahrenhinweisen wird auf jene Verhaltensmaßregeln aufmerksam gemacht, deren Missachtung oder nur teilweise Befolgung Verletzungen des Benutzers verursachen kann.



Mit den Hinweisen zur Beachtung werden jene Verhaltensmaßregeln deutlich gemacht, deren Missachtung oder nur teilweise Befolgung Schäden am Getriebe, am Motor oder an den damit verbundenen Ausrüstungen verursachen kann.



Die Anmerkungen enthalten wichtige Informationen, denen besondere Beachtung zu schenken ist.

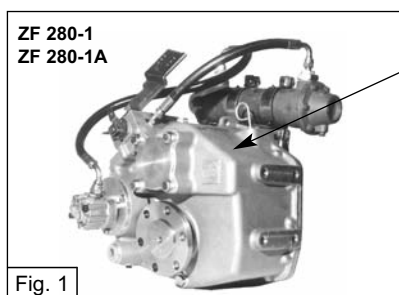


Fig. 1

TYPE	
SERIAL No.	RATIO
PART LIST No.	CUSTOMER No.
Pressure	Light
Medium	Continuous
OIL TYPE	CUTTER OIL PRESCRIPTION
OIL CAPACITY (lit)	
OIL CHANGE: after first 50 hours of operation and every 1000 hours or 12 months, whichever occurs first.	
CHECK OIL LEVEL WEEKLY	

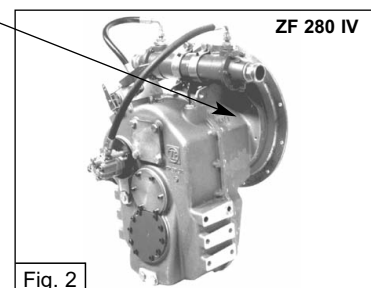


Fig. 2

## PRINCIPI DI FUNZIONAMENTO

Le funzioni principali di un invertitore marino sono le seguenti:

- o accoppiare il motore con l'asse elica e ridurre il numero di giri dell'elica;
- o invertire la direzione del moto;
- o interrompere il movimento dell'asse elica (folle).

Sotto è riportato uno schema semplificato dell'impianto idraulico.

## PRINCIPIOS DE FUNCIONAMIENTO

Un inversor marino tiene tres funciones principales:

- acoplar el motor con el eje de la hélice y reducir el número de vueltas de la hélice;
- invertir el sentido de rotación;
- interrumpir el movimiento (loco) de la hélice.

El siguiente es un diagrama simplificado de la instalación hidráulica.

## PRINCIPES DE FONCTIONNEMENT

Les principales fonctions d'un inverseur marin sont les suivantes:

- accoupler le moteur avec l'axe de l'hélice et réduire le nombre de tours de l'hélice;
- inverser la direction du mouvement;
- interrompre le mouvement de l'axe de l'hélice (point mort).

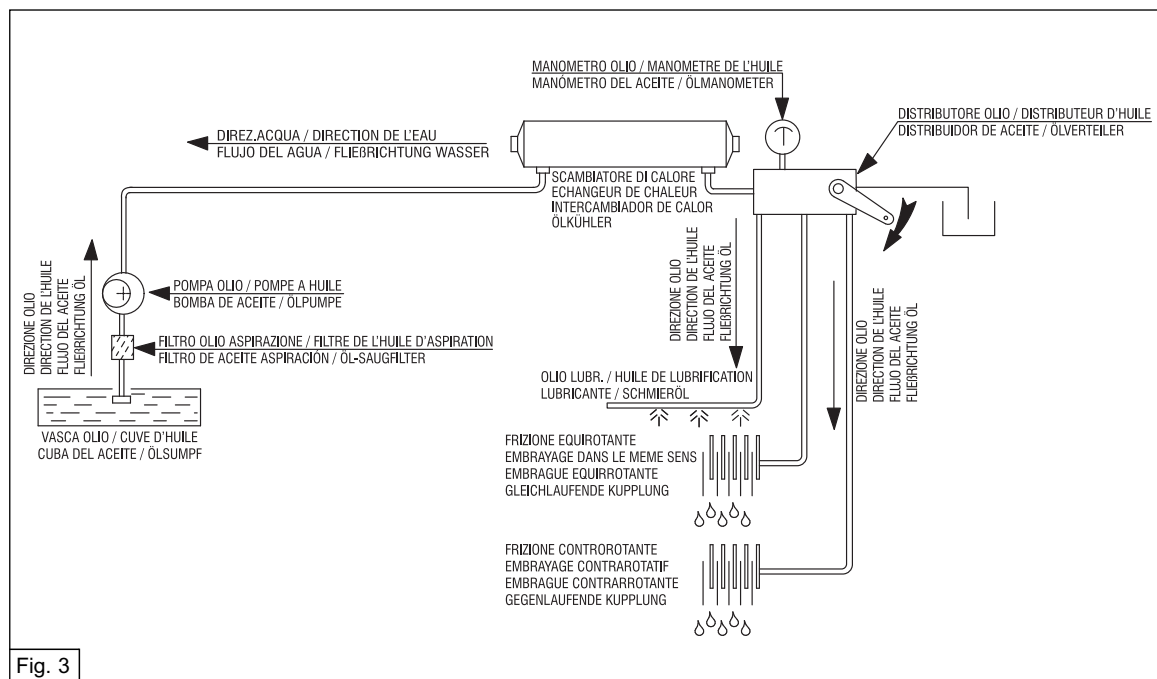
Le schéma ci-dessous représente une simplification du circuit hydraulique.

## FUNKTIONSPRINZIP

Die hauptsächlichen Funktionen eines Schiffsgetriebes sind:

- Verbindung des Motors mit der Propellerwelle und Unteretzung der Propeller-Drehzahl;
- Umkehrung der Fahrtrichtung;
- Unterbrechung der Bewegung der Propellerwelle (Leerlauf).

Nachstehend ist ein vereinfachter Hydraulikschaltplan dargestellt.



L'invertitore consente di ottenere i seguenti tre tipi di funzionamento:

**Folle**

L'albero uscita [2] collegato all'asse elica non trasmette nessuna rotazione.

Le frizioni sono disinnestate.

**Marcia concorde**

L'albero uscita [2] collegato all'asse elica ha uguale senso di rotazione dell'albero di ingresso[1].

**Marcia discorde**

L'albero uscita [2] collegato all'asse elica ha contrario senso di rotazione dell'albero di ingresso[1].

La trasmissione in marcia concorde e/o discorde, avviene con rapporto indicato sulla targhetta d'identificazione. I tre tipi di funzionamento sono comandati dal distributore [3] (meccanico o elettrico).

L'inverseur permet d'obtenir les trois types de fonctionnement suivants:

**Point mort**

L'arbre de sortie [2] qui est raccordé à l'axe de l'hélice ne transmet aucune rotation.

Les embrayages sont désinsérés.

**Marche concordante**

L'arbre de sortie [2] qui est raccordé à l'axe de l'hélice a le même sens de rotation que l'arbre d'entrée [1].

**Marche discordante**

L'arbre de sortie [2] qui est raccordé à l'axe de l'hélice a un sens de rotation inverse à celui de l'arbre d'entrée [1].

La transmission en marche concordante et/ou discordante se fait avec le rapport indiqué sur la plaque d'identification. Les trois types de fonctionnement sont commandés par le distributeur [3] (mécanique ou électrique).

El inversor permite obtener tres tipos de funcionamiento:

**Punto muerto**

El árbol de salida [2] que está acoplado al eje de la hélice no transmite ninguna rotación.

Los embragues no están engranados.

**Marcha directa**

El árbol de salida [2] que está acoplado al eje de la hélice gira en el mismo sentido que el de entrada [1].

**Marcha inversa**

El árbol de salida [2] que está acoplado al eje de la hélice gira en sentido contrario al de entrada [1].

La relación de transmisión en marcha directa o inversa es la misma que aparece indicada en la placa de identificación. Los tres tipos de funcionamiento son gobernados por el distribuidor [3], que puede ser mecánico o eléctrico.

Das Getriebe gestattet folgende Funktionsarten:

**Leerlauf**

Die mit der Propellerwelle verbundene Abtriebswelle [2] überträgt keine Drehung.

Die Kupplungen sind ausgekuppelt.

**Gleichlauf**

Die mit der Propellerwelle verbundene Abtriebswelle [2] dreht in dieselbe Richtung wie die Antriebswelle [1].

**Gegenlauf**

Die mit der Propellerwelle verbundene Abtriebswelle [2] dreht in die entgegengesetzte Richtung der Antriebswelle [1].

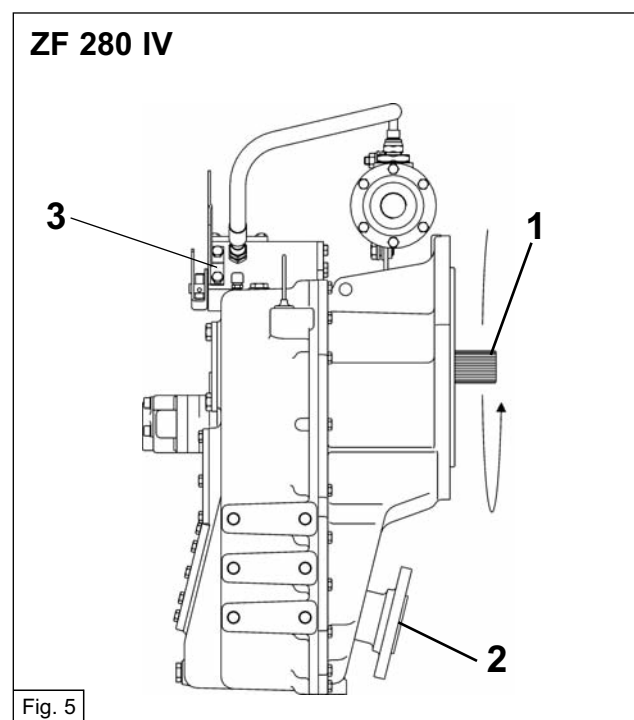
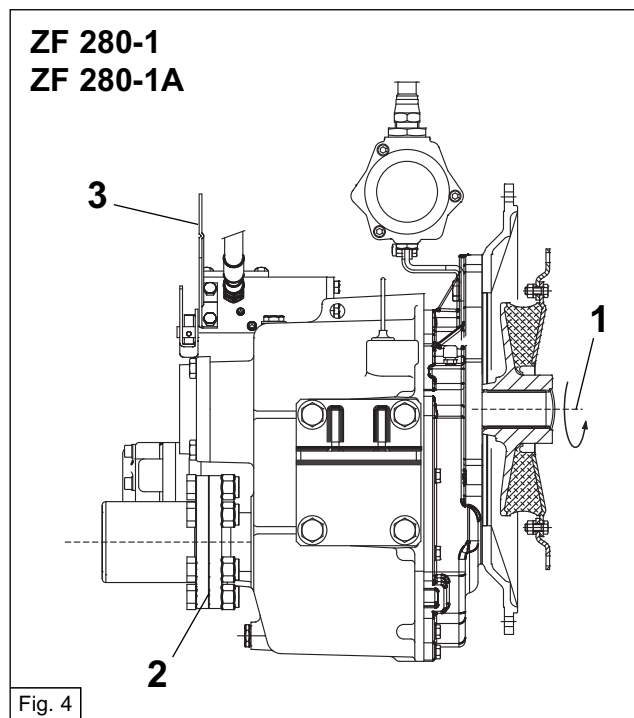
Die Leistungsübertragung im Gleichlauf und/oder Gegenlauf erfolgt mit dem auf dem Typenschild angegebenen Übersetzungsverhältnis. Die drei Funktionsarten werden vom (mechanischen oder elektrischen) Verteiler [3] gesteuert.

**E.R.**

- Senso di rotazione uguale al senso di rotazione del motore.
- Sens de rotation identique ausens de rotation du moteur.
- Sentido de rotación igual al del motor.
- Antrieb und Abtrieb drehen in der gleichen Richtung.

**C.E.R.**

- Senso di rotazione contraria al senso di rotazione del motore.
- Dens de rotation inverse au sens de rotation du moteur.
- Dentido de rotación contrario al del motor.
- Abtriebsdrehrichtung entgegen der Antriebsdrehrichtung.



L'invertitore può essere fornito con o senza accessori (scambiatore di calore, giunto elastico, staffe, trolling valve).

**L'invertitore viene consegnato senza olio.**

El inversor se puede entregar con o sin accesorios (intercambiador de calor, acople elástico, soportes, grapas, válvula trolling).

**El inversor se entrega sin aceite.**

L'inverseur est fourni avec ou sans accessoires (échangeur de chaleur, joint élastique, brides, trolling valve).

**L'inverseur est livré sans huile.**

Das Getriebe wird mit oder ohne Zubehör (Ölkühler, drehelastische Kupplung, Bügel, Trolling valve) geliefert.

**Das Getriebe wird ohne Öl geliefert.**

ZF 280 fam. - ZF 280A fam.

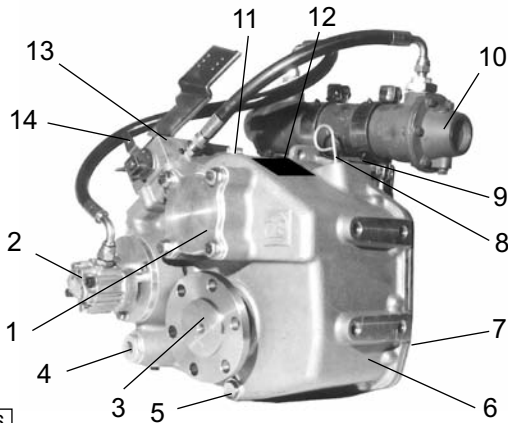
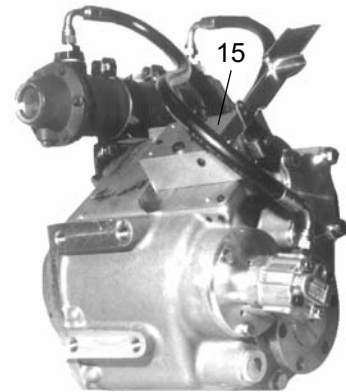


Fig.6



ZF 280 IV

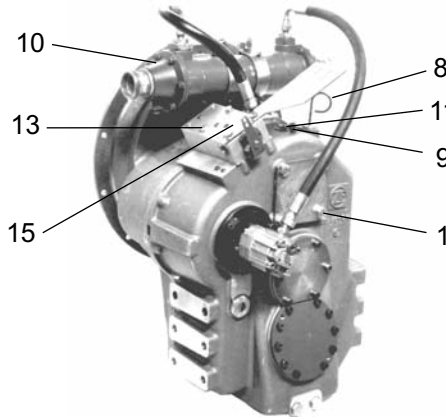
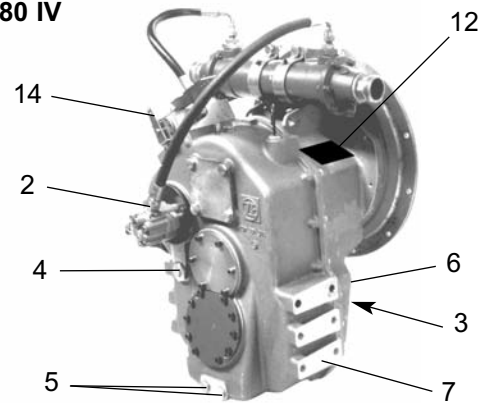



Fig.7



Tab. 1

POS. REP. POS.	DESCRIZIONE DESCRIPTION DESCRIPCIÓN BEZEICHNUNG
1	Coperchio PTO / Couvercle PTO Tapa de la TF / Abdeckung Abtrieb
2	Pompa olio / Pompe à huile Bomba de aceite / Ölpumpe
3	Albero uscita / Arbre de sortie Árbol de salida / Abtriebswelle
4	Filtro a rete-Filtro olio / Filtre à grille-Filtre à huile / Filtro de red-Filtro de aceite / Netzfilter-Ölfiler
5	Tappi di scarico / Bouchons de vidange Taponés de salida / Ablasstopfen
6	Semicarcassa posteriore / Demicarcasse arrière / Semicarcasa trasera / Hintere Gehäusehälfte
7	Semicarcassa anteriore / Demi-carcasse avant / Semicarcasa delantera / Vordere Gehäusehälfte
8	Asta di livello / Jauge Varilla de nivel / Ölmesstab
9	Sfiato / Event Purgador / Entlüftung

POS. REP. POS.	DESCRIZIONE DESCRIPTION DESCRIPCIÓN BEZEICHNUNG
10	Scambiatore di calore / Echangeur de chaleur / Intercambiador de calor/ Ölkühler
11	Tappo carico / Bouchon de remplissage
12	Tapón de carga / Einfullstopfen
13	Targa identificazione / Plaque d'identification / Placa de identificación / Getriebe angebracht
14	Distributore / Distributeur Válvula distribuidora / Verteiler
15	Leva comando / Levier de commande Palanca de mando / Schalthebel Preso pressione 1/8 NPTF / Prise de pression 1/8 NPTF / Toma de presión 1/8 NPTF / Druckmessstelle 1/8 NPTF

 Prima di mettere in funzione l'invertitore, si deve eseguire il riempimento e il successivo controllo del livello olio. (vedi sez. MANUTENZIONE).


L'uso dell'invertitore con una insufficiente quantità d'olio può danneggiare gli ingranaggi.


Una eccessiva quantità d'olio può causare perdite alle guarnizioni e allo sfriato e può far aumentare considerevolmente la temperatura di funzionamento.

In normali condizioni di funzionamento le inversioni devono essere effettuate con il motore al minimo.

**In caso di emergenza può essere effettuata l'inversione di marcia con motore al massimo.**

**Le inversioni di marcia con motore al massimo riducono sensibilmente la vita delle frizioni.**

 **Intervenire sull'invertitore solo quando sia il motore che l'elica sono fermi.**

 Antes de ponerlo en marcha hay que llenarlo de aceite y posteriormente hay que verificar si el nivel de llenado es satisfactorio. (véase la sec. MANTENIMIENTO)


El funcionamiento con poco aceite puede dañar los engranajes.


El exceso de aceite puede causar fugas por las guarniciones y el purgador y hace que la temperatura de funcionamiento aumente en forma considerable.

En condiciones de funcionamiento normales las inversiones deben ocurrir cuando el motor está en mínimo.

**En situaciones de emergencia se puede efectuar la inversión con el motor en máximo.**

**Sin embargo, este segundo tipo de inversiones acorta en forma significativa la vida de los embragues.**

 **Hay que intervenir en el inversor solamente cuando tanto el motor como la hélice están parados.**

 Avant de mettre l'inverseur en marche, il est nécessaire d'y verser de l'huile et, par la suite, de contrôler le niveau. (voir section ENTRETIEN)


En cas de quantité d'huile insuffisante, l'emploi de l'inverseur risque d'endommager les engrenages.


En revanche, l'excès d'huile peut endommager les joints et l'évent, risquant ainsi d'augmenter considérablement la température de marche.

En conditions de marche normales, les inversions doivent être effectuées en faisant tourner le moteur au minimum.

**En cas d'urgence, il est possible d'effectuer l'inversion de marche même si le moteur tourne au maximum.**

**Les inversions de marche effectuées lorsque le moteur tourne au maximum réduisent nettement la longévité des embrayages.**

 **N'intervenir sur l'inverseur que lorsque le moteur et l'hélice sont arrêtés.**

 Vor Inbetriebnahme des Getriebes muss Öl eingefüllt, und dann eine Ölstandkontrolle vorgenommen werden. (siehe Abschn. WARTUNG)


Durch die Benutzung des Getriebes mit ungenügender

Ölmenge können die Zahnräder beschädigt werden. Zuviel Öl kann zu Ölverlusten an den Dichtungen und

an der Entlüftung führen, wodurch die Betriebstemperatur erheblich erhöht wird.

In normalen Betriebsbedingungen muss die Umkehr der Fahrtrichtung durchgeführt werden, während der Motor mit Mindestdrehzahl läuft.


**Im Notfall kann die Fahrtrichtung auch umgekehrt werden, während der Motor mit Höchstdrehzahl läuft. Durch Umkehr der Fahrtrichtung bei Höchstdrehzahl wird die Lebensdauer der Kupplungen erheblich reduziert.**

 **Eingriffe am Getriebe dürfen nur durchgeführt werden, wenn sowohl der Motor als auch der Propeller stillstehen.**

### TROLLING VALVE MECCANICO (T.V.M.)

Il trolling valve è un dispositivo che permette di variare il numero di giri dell'elica indipendentemente dai regimi di rotazione del motore. Il dispositivo T.V.M. viene comunemente applicato nei seguenti casi:

- 1) velocità dell'imbarcazione è troppo elevata nonostante il motore sia al minimo.
- 2) velocità di rotazione della PTO deve essere superiore alla velocità di rotazione dell'elica.

 Il T.V.M. può essere usato in entrambi i sensi di marcia e i regimi massimi di utilizzo sono:

- Regime di rotazione massimo = (max giri motore x 0,5) rpm, per motori aventi come massimo regime di rotazione inferiore a 2000 rpm.
- Regime di rotazione massimo = (1000) rpm, per motori aventi come massimo regime di rotazione maggiore di 2000 rpm.

Il funzionamento del rapporto di riduzione dell'invertitore, delle dimensioni dell'elica e delle caratteristiche dell'imbarcazione, l'effettiva velocità di rotazione dell'elica può essere ridotta di una percentuale variabile da 30 - 70 % di quella utile.

Range di utilizzo raccomandato : 60 - 80 °C.

#### Modo d'impiego


Verificare che il T.V.M. sia escluso prima di inserire la marcia. Dopo l'inserimento della marcia, azionare gradualmente la leva del T.V.M., fino ad ottenere la velocità di manovra desiderata.

È possibile variare il numero di giri durante il funzionamento in trolling entro il limite sopra citati.

### VÁLVULA TROLLING MECÁNICA (T.V.M.)

La válvula trolling es un dispositivo mecánico que permite variar las revoluciones de la hélice independientemente del régimen de rotación del motor. Se suele aplicar en los siguientes casos:

- 1) cuando la velocidad de la embarcación es demasiado grande aunque el motor esté en mínimo.
- 2) cuando la velocidad de rotación de la TF debe ser mayor que la de la hélice.

 La válvula trolling se puede utilizar en cualquiera de los dos sentidos y su régimen máximo es:

- Régimen máximo = (rpm máx del motor x 0,5) rpm, para motores de hasta 2000 rpm.

- Régimen máximo = 1000 rpm, para motores de más de 2000 rpm.


En funcion de la relacion de reduccion del inversor, las dimensiones efectiva de la helice podrá reducirse de un porcentaje variable entre el 30 - 70 % con respecto a la velocidad util.

Se recomienda el campo de utilizacion : 60- 80°C.

### TROLLING VALVE MECANIQUE (T.V.M.)

Le trolling valve est un dispositif qui permet de modifier le nombre de tours de l'hélice quel que soit le régime de rotation du moteur. Le dispositif T.V.M. est appliqué habituellement dans les cas suivants:

- 1) vitesse du bateau trop élevée, bien que le moteur soit au minimum.
- 2) vitesse de rotation de la PTO devant être supérieure à la vitesse de rotation de l'hélice.

 Le T.V.M. peut être utilisé dans les deux sens demarche; les régimes d'utilisation maximaux sont les suivants:

- Régime de rotation maximum = (max. tours moteur x 0,5) rpm, pour moteurs ayant un régime de rotation maximum inférieur à 2000 rpm.
- Régime de rotation maximum = (1000) rpm, pour moteurs ayant un régime de rotation maximum supérieur à 2000 rpm.

En fonction du rapport de reduction de l'inverseur, des dimensions de l'helice peut être reduit d'un pourcentage variable égal a 30 - 70 % de la vitesse utile.

Il est recommande de l'emploi : 60 - 80 °C.

#### Mode d'emploi


S'assurer que le T.V.M. est exclu avant de passer la vitesse. Après l'enclenchement de la vitesse, actionner progressivement le levier du T.V.M. jusqu'à ce que l'on obtienne la vitesse de manœuvre désirée.

Il est possible de modifier le nombre de tours pendant la marche en Trolling dans les limites indiquées cidessus.

### MECHANISCHE TROLLING VALVE (T.V.M.)

Mit der Einrichtung Trolling Valve kann die Drehzahl des Propellers unabhängig vom Drehzahlbereich des Motors verstellt werden. Die Einrichtung T.V.M. wird in der Regel in folgenden Fällen eingesetzt:

- 1) Zu hohe Bootsgeschwindigkeit obwohl der Motor bei Mindestdrehzahl läuft.
- 2) Die Drehgeschwindigkeit des Abtriebs muss über der Drehgeschwindigkeit des Propellers liegen.

 Die T.V.M. kann in beiden Fahrrichtungen benutzt werden; die Höchstdrehzahlbereiche sind:

- Höchstdrehzahlbereich = (max. Motordrehzahl x 0,5) U/m, für Motoren mit Höchstdrehzahlbereich unter 2000 U/m.
- Höchstdrehzahlbereich = (1000) U/m, bei Motoren mit Höchstdrehzahlbereich über 2000 U/m.

Je nach dem Übersetzungsverhältnis des wendegetriebes, den propellermassen und den eigenschaften des schiffes kann die tatsächliche umdrehungszahl des propellers um einen variablen prozentsatz gleich 30 - 70 % der nutzgeschwindigkeit reduziert werden.

Wir empfehlen den Einsatzbereich : 60 - 80 °C.





### Cómo se utiliza

La válvula trolling debe estar desactivada antes de poner la marcha. El operador debe poner primero la marcha y después accionar la palanca de la válvula gradualmente hasta alcanzar la velocidad de maniobra deseada.

El número de revoluciones puede variar dentro de los límites que se indican para cada tipo de motor.



### Bedienung

Bevor der Gang eingelegt wird, muss sichergestellt werden, dass die T.V.M. ausgeschlossen ist. Nach dem Einlegen des Ganges den Schalthebel der T.V.M. langsam betätigen, bis die gewünschte Geschwindigkeit erreicht ist. Die Drehzahl kann während des Trolling-Betriebs innerhalb der oben genannten Grenze verändert werden.



È vietato eseguire l'inversione di marcia con il T.V.M. inserito.



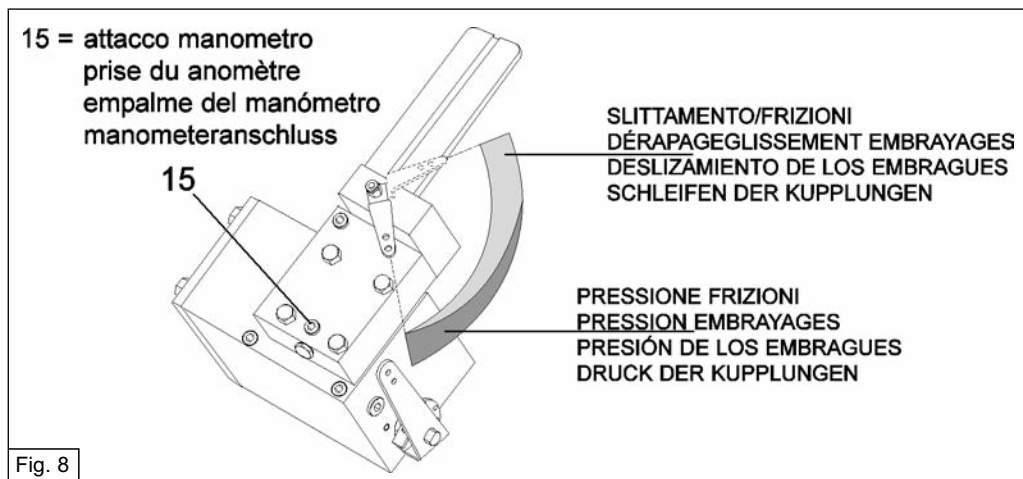
Il est interdit d'exécuter l'inversion de marche en laissant le T.V. inséré.



Está prohibido invertir la marcha cuando la válvula trolling está funcionando.



Die Umkehr der Fahrtrichtung bei eingeschalteter T.V.M. ist verboten.



### TROLLING VALVE ELETTRICO (T.V.E.)

È un dispositivo elettrico avente le stesse funzioni e modalità d'uso del T.V.M.

L'azionamento del T.V.E. avviene per mezzo di una elettrovalvola proporzionale.

### TROLLING VALVE ELECTRIQUE (T.V.E.)

Il s'agit d'un dispositif électrique dont les fonctions et le mode d'emploi sont les mêmes que ceux du T.V.M.

L'actionnement du T.V.E. se fait au moyen d'une électrovalve proportionnelle.

### VÁLVULA TROLLING ELÉCTRICA (T.V.E.)

La válvula trolling eléctrica tiene las mismas funciones que la válvula trolling mecánica y se utiliza del mismo modo.

Se acciona por medio de una electroválvula proporcional.

### ELEKTRISCHE TROLLING VALVE (T.V.E.)

Hierbei handelt es sich um eine elektrische Vorrichtung mit denselben Funktionen und Einsatzbedingungen wie die T.V.M.

Die Betätigung der T.V.E. erfolgt mit einem elektrischen Proportionalventil.

## TELECOMANDI DISTRIBUTORE

**⚠** Nell'installazione dei telecomandi bisogna accertarsi che la corsa della leva, azionata dal comando in plancia, sia tale da raggiungere i fine corsa.

Se tale condizione non viene rispettata, si può provocare la bruciatura delle frizioni, per insufficiente portata dell'olio.

## TELECOMMANDES DU DISTRIBUTEUR

**⚠** Au cours de l'installation des télécommandes, il est nécessaire de s'assurer que la course du levier, actionnée par la commande du tableau de bord, permet d'atteindre les fins de course.

Si cette limite n'est pas respectée, on risque de griller les embrayages à cause de l'insuffisance du débit d'huile.

## MANDOS A DISTANCIA DEL DISTRIBUIDOR

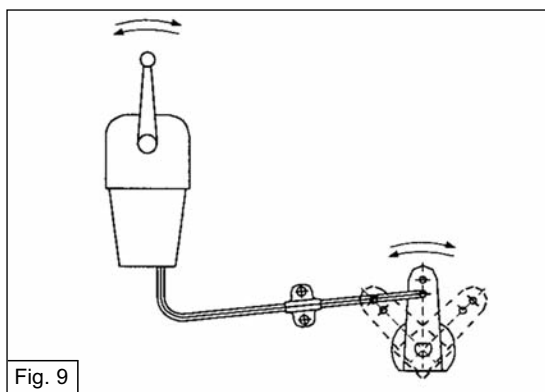
**⚠** Al instalar el mando a distancia es importante que la carrera de la palanca (que se mueve cuando se acciona el mando del tablero) sea capaz de llegar hasta los finales de carrera.

Si no es así, la falta de aceite puede hacer que se quemem los embragues.

## FERNSTEUERUNGEN DES VERTEILERS

**⚠** Beim Einbau der Fernsteuerungen ist darauf zu achten, dass der Schaltweg des von der Steuerung am Armaturenbrett betätigten Schalthebels so bemessen sein muss, dass der Endanschlag erreicht wird.

Wenn diese Bedingung nicht eingehalten wird, kann wegen des unzureichenden Ölförderstroms das Durchbrennen der Kupplungen verursacht werden.



## NAVIGAZIONE A RIMORCHIO

La navigazione a rimorchio può essere effettuata continuamente per 8 ore. Controllare che la temperatura dell'olio non superi gli 80°C. Quando il motore è spento la posizione della leva di comando è irrilevante.

**⚠** Non eseguire nessun intervento nella trasmissione durante il traino perché l'elica può ruotare.

## NAVIGATION EN REMORQUAGE

La navigation en remorquage peut être effectuée continuellement pendant 8 heures. S'assurer que la température de l'huile ne dépasse pas 80°C. Lorsque le moteur est éteint, la position du levier de commande n'a aucune importance.

**⚠** N'exécuter aucune intervention au niveau de la transmission pendant le remorquage car l'hélice peut tourner.

## NAVEGACIÓN CON REMOLQUE

Se puede navegar con remolque en forma continua hasta un máximo de 8 horas. La temperatura del aceite no debe sobrepasar los 80°C. Cuando el motor está apagado la posición de la palanca del mando no es significativa.

**⚠** Durante la navegación con remolque no hay que intervenir en la transmisión para que la hélice no gire.

## SCHLEPPBETRIEB

Der Schleppbetrieb kann ohne Unterbrechung für 8 Stunden durchgeführt werden. Sicherstellen, dass die Öltemperatur nicht 80°C übersteigt. Bei abgeschaltetem Motor spielt die Stellung des Schalthebels keine Rolle.

**⚠** Während des Schleppbetriebs dürfen keine Eingriffe am Getriebe durchgeführt werden, weil der Propeller drehen kann.

## DATI TECNICI / CARACTÉRISTIQUES TECHNIQUES DATOS TÉCNICOS / TECHNISCHE DATEN

Tipo Type Tipo Typ	*Quantità olio Quantité d'huile Cantidad de aceite Ölmenge (dm <sup>3</sup> )	Portata pompa Débit de la pompe Capacidad de la bomba Förderleistung Pump (l/min at 1000rpm)	**Pressione es. Pression serv. Presión de trabajo Betriebsdruck (bar)	**Temperatura es. Température serv. Temperatura de trabajo Betriebstemp (°C)
<b>ZF 280-1</b>	4 ÷ 5	8	23 ÷ 24	40 ÷ 80
<b>ZF 280-1A</b>	4 ÷ 5	8	23 ÷ 24	40 ÷ 80
<b>ZF 280 IV</b>	5 ÷ 6	8	23 ÷ 24	40 ÷ 80

### Note

\* ) invertitore senza accessori; (vedere sez. "controllo livello olio")

\*\* ) r.p.m di riferimento: 1500

(a) con vecchia distribuzione

### Nota

\* ) inversor sin accesorios; (véase la sección. "Control del nivel de aceite")

\*\* ) rpm de referencia: 1500

(a) con viejo distribuidor

### Remarques

\* ) inverseur sans accessoires; (voir section "contrôle du niveau d'huile")

\*\* ) r.p.m de référence: 1500

(a) avec vieil distributeur

### Anmerkungen

\* ) Getriebe ohne Zubehör; (siehe Abschn. "Ölstandkontrolle")

\*\* ) Bezugswert: 1500 U/m

(a) mit alt verteilers

I valori sono da misurare utilizzando i fori [5] e [15] indicati a pag. 30.



Si suggerisce di installare un indicatore di pressione (campo 0-50 bar) sul foro [15] e un sensore temperatura olio sul foro [5].

### TIPI DI OLIO

Usare i seguenti oli (vedere normativa ZF-TLM 04 edizione 02/2009):

Los valores se deben medir utilizando los orificios [5] y [15] que se indican en la pag. 30.



Se recomienda instalar un indicador de presión (rango 0-50 bar) en el orificio [15] y un sensor de temperatura del aceite en el orificio [5].

### ACEITES RECOMENDADOS

Es necesario utilizar uno de los siguientes aceites (véase la norma ZF-TLM 04 edición 02/2009):

Les valeurs doivent être mesurées en utilisant les trous [5] et [15] indiqués page 30.



Il est conseillé d'installer un indicateur de pression (plage 0-50 bars) sur le trou [15] et un détecteur de température de l'huile sur le trou [5].

### TYPES D'HUILE

Utiliser les huiles suivantes (voir normative ZF-TLM 04 édition 02/2009):

Die Werte müssen an den auf der Zeichnung auf Seite 30 angegebenen Messstellen [5] und [15] gemessen werden.



Wir empfehlen den Einbau eines Druckanzeigers (Anzeigebereich 0-50 bar) an der Messstelle [15] und eines Öltemperaturfühlers an der Messstelle [5].

### ÖLTYPEN

Es sind folgende Öltypen zu verwenden (siehe Betriebsnorm ZF-TLM 04 Ausgabe 02/2009):

---

## Classe dei lubrificanti 04A

Oli motore monogrado (API CD/CE/CF-4/CF/CG-4/CH-4/CI-4/SF/SG/SH/SJ/SL o categorie ACEA, A/B/E)

Classi di viscosità: SAE 30, in paesi caldi o in presenza di temperature nella coppa dell'olio superiori a +80 °C anche SAE 40

### Avvertenza:

1. Sono ammessi tutti i prodotti commerciali a base di olio minerale che soddisfano le specifiche citate. Nessun elenco di prodotti disponibile.
2. Per quanto riguarda i cambi certificati da DNV, i lubrificanti della classe 04A non possono essere utilizzati. Pertanto, questi cambi devono essere riempiti con lubrificanti delle classi 04B o 04C

## Classe des lubrifiants 04A

Huile moteur monograde (spécification API CD/CE/CF-4/CF/CG-4/CH-4/CI-4/SF/SG/SH/SJ/SL ou spécification ACEA classes A/B/E)

Classes de viscosité: SAE 30, dans les pays chauds ou avec des températures de carter à huile au-dessus de +80 °C, également SAE 40

### Remarque:

1. Tous les produits du commerce à base d'huile minérale conformes aux spécifications susmentionnées peuvent être utilisés. Aucune liste de produits disponible.
2. En ce qui concerne toutes boîtes de vitesses certifiées par DNV, l'utilisation des lubrifiants de la classe 04A est proscrite. Il faudra en tous cas utiliser les lubrifiants des classes 04B et 04C.

## Clase de lubricantes 04A

Aceites de motor monogrados (API CD/CE/CF-4/CF/CG-4/CH-4/CI-4/SF/SG/SH/SJ/SL ó ACEA categorías A/B/E)

Clase de viscosidad: SAE 30, en países con climas calurosos ó en caso de temperaturas en el cárter de aceite superiores a +80 °C también SAE 40

### Nota:

1. Pueden emplearse todos los productos comerciales de base mineral que cumplan las especificaciones arriba indicadas. No hay una lista de productos.
2. Para cajas de cambios clasificadas según DNV, no se debe utilizar aceites de esta clase 04A. Para ellas se debe utilizar aceites según las clases 04B ó 04C.

## Schmierstoffklasse 04A

Einbereichsmotorenöl (API CD/CE/CF-4/CF/CG-4/CH-4/CI-4/SF/SG/SH/SJ/SL oder ACEA-Kategorien A/B/E)

Viskositätsklassen: SAE 30, in heißen Ländern bzw. bei Ölsumpftemp. über +80°C auch SAE 40

### Hinweise:

1. Es dürfen alle mineralölbasischen Handelsprodukte verwendet werden, die obige Spezifikationen erfüllen. Eine Produktliste erfolgt nicht.
2. Für Getriebe, die nach DNV klassifiziert sind, dürfen Öle dieser Klasse 04A nicht verwendet werden. Es sind dafür Öle nach den Klassen 04B oder 04C zu verwenden.

---

## **Classe dei lubrificanti 04B**

### **Olio motore monogrado**

Classi di viscosità: SAE 30, in paesi caldi o in presenza di temperature nella coppa dell'olio superiori a +80 °C anche SAE 40

## **Classe des lubrifiants 04B**

### **Huile moteur monograde**

Classes de viscosité: SAE 30, dans les pays chauds ou avec des températures de carter à huile au-dessus de +80 °C, également SAE 40

## **Clase de lubricantes 04B**

### **Aceites de motor monogrados**

Clase de viscosidad: SAE 30, en países de climas calurosos ó en caso de temperaturas en el cárter de aceite superiores a +80 °C también SAE 40

## **Schmierstoffklasse 04B**

### **Einbereichsmotorenöl**

Viskositätsklassen: SAE 30, in heißen Ländern bzw. bei Ölsumpftemp. über +80°C auch SAE 40

#### **Produttore (04B)**

#### **Producteur (04B)**

#### **Fabricante (04B)**

#### **Hersteller (04B)**

ADDINOL LUBE OIL GMBH, LEUNA/D  
ADDINOL LUBE OIL GMBH, LEUNA/D  
ANDEROL ITALIA SRL, VITTUONE(MI)/I  
ANDEROL ITALIA SRL, VITTUONE(MI)/I  
BAYWA AG, MÜNCHEN/D  
BEHRAN OIL CO., TEHRAN/IR  
BLASER SWISSLUBE AG, HASLE-RÜEGSAU/CH  
BLASER SWISSLUBE AG, HASLE-RÜEGSAU/CH  
BUCHER AG LANGENTHAL, LANGENTHAL/CH  
BUCHER AG LANGENTHAL, LANGENTHAL/CH  
CASTROL INTERNATIONAL, PANGBOURNE READING/GB  
CHEVRON BRASIL LTDA., RIO DE JANEIRO/BRAZIL  
CHEVRONTEXACO, GHENT/B  
CHEVRONTEXACO, GHENT/B  
DAF TRUCKS N.V., EINDHOVEN/NL  
EXXON MOBIL CORPORATION, FAIRFAX, VIRGINIA/USA  
EXXON MOBIL CORPORATION, FAIRFAX, VIRGINIA/USA  
EXXON MOBIL CORPORATION, FAIRFAX, VIRGINIA/USA  
FUCHS PETROLUB AG, MANNHEIM/D  
GINOUVES GEORGES SA, LA FARLEDE/F  
GINOUVES GEORGES SA, LA FARLEDE/F  
GULF OIL INTERNATIONAL, PITTSBURG/USA  
HUILES BERLIET S.A., SAINT PRIEST/F  
IGOL FRANCE SA, AMIENS/F  
INA MAZIVA RIJEKA, RIJEKA/HR  
INA MAZIVA RIJEKA, RIJEKA/HR  
INA MAZIVA RIJEKA, RIJEKA/HR  
INA MAZIVA RIJEKA, RIJEKA/HR  
KRAFFT S.L., ANDOAIN/E

KUWAIT PETROLEUM R&T B.V., EUROPOORT RT/NL  
KUWAIT PETROLEUM R&T B.V., EUROPOORT RT/NL  
LIQUI MOLY GMBH, ULM/D  
LIQUI MOLY GMBH, ULM/D  
LLK FINLAND OY, HAMINA/FIN  
LLK FINLAND OY, HAMINA/FIN  
MAGNA INDUSTRIAL CO. LIMITED, HONG KONG/HK  
NEW PROCESS AG, TÜBACH/CH  
PAKELO MOTOR OIL S.R.L., SAN BONIFACIO (VR)/I  
PAKELO MOTOR OIL S.R.L., SAN BONIFACIO (VR)/I 0  
PANOLIN AG, MADETSWIL/CH  
PANOLIN AG, MADETSWIL/CH  
PROFI-TECH GMBH, GINGEN/D  
S-OIL TOTAL LUBRICANTS CO. LTD., SEOUL/ROK  
SHELL INTERNATIONAL PETROLEUM COMP LTD, LONDON/GB  
SHELL INTERNATIONAL PETROLEUM COMP LTD, LONDON/GB  
SRS SCHMIERSTOFF VERTRIEB GMBH, SALZBERGEN/D  
SRS SCHMIERSTOFF VERTRIEB GMBH, SALZBERGEN/D  
STATOIL LUBRICANTS, STOCKHOLM/S  
STATOIL LUBRICANTS, STOCKHOLM/S  
STATOIL LUBRICANTS, STOCKHOLM/S  
STATOIL LUBRICANTS, STOCKHOLM/S  
STRUB + CO AG, REIDEN/CH  
TOTAL LUBRIFIANTS S.A., PARIS/F  
TOTAL LUBRIFIANTS S.A., PARIS/F  
TOTAL LUBRIFIANTS S.A., PARIS/F  
TOTAL LUBRIFIANTS S.A., PARIS/F  
TOTAL LUBRIFIANTS S.A., PARIS/F  
TOTAL LUBRIFIANTS S.A., PARIS/F  
TOTAL LUBRIFIANTS S.A., PARIS/F

---

**Denominazione prodotto (04B)****Nom du produit (04B)****Nombre (04B)****Warenzeichen (04B)**

ADDINOL TURBO DIESEL MD 305 SAE 30  
ADDINOL TURBO DIESEL MD 405 SAE 40  
ANDEROL MYTHOS SAE 30  
ANDEROL MYTHOS SAE 40  
TECTROL HDC 30  
BEHRAN TURBO DIESEL SAE 40  
BLASOL 30  
BLASOL 40  
MOTOREX EXTRA SAE30  
MOTOREX MULTI DF 30  
CASTROL TECTION MONOGRADE 30  
URSA TRANS SAE 40  
DELO GOLD SAE 30  
URSA SUPER LA 40  
DAF SUPER 30  
MOBIL DELVAC 1630 SAE 30  
MOBIL DELVAC 1640 SAE 40  
MOBILGARD 1 SHC (SAE40)  
TITAN UNIVERSAL HD 30  
YORK 730 SAE 30  
YORK 730 SAE 40  
GULF SUPER DUTY LE 30  
RTO PREXIMA 40  
TRANS TURBO 4 MONO 30  
INA GORGONELA S 30  
INA SAGARTIA 30  
INA SUPER 3 30  
INA SUPER 5 30  
MONOGRADO SUPER S-3 SAE 40

Q8 MOZART DP SAE 30  
Q8 MOZART DP SAE 40  
LIQUI MOLY TOURING HIGH TECH HD 40  
TOURING HIGH TECH MOTOROIL SAE 30  
TEBOIL POWER D SAE 30  
TEBOIL POWER D SAE 40  
OMEGA 643 SAE 40  
MONO DIESEL SAE 30  
PAKELO PKO HD 4 SAE 30  
PAKELO PKO HD 4 SAE 40  
PANOLIN EXTRA DIESEL 30  
PANOLIN EXTRA DIESEL 40  
PROFI-CAR EXTRA C SAE 40  
TOTAL RUBIA S 30  
SHELL RIMULA R 3 +  
SHELL RIMULA X 30  
SRS REKORD 30  
SRS REKORD 40  
STATOIL DIESELWAY 30  
STATOIL DIESELWAY 40  
STATOIL MARWAY 1030  
STATOIL MARWAY 1040  
TURBO HD SAE 30  
TOTAL DISOLA M 3015 SAE 30  
TOTAL DISOLA M 4015 SAE 40  
TOTAL DISOLA MT 40  
TOTAL RUBIA FP 40  
TOTAL RUBIA S 30  
TOTAL RUBIA S 40

---

## **Classe dei lubrificanti 04C**

### **Olio motore multigrado**

Classi di viscosità: SAE 5W-40 / 10W-40 / 15W-40

## **Classe des lubrifiants 04C**

### **Huile moteur multigrade**

Classes de viscosité: SAE 5W-40 / 10W-40 / 15W-40

## **Clase de lubricantes 04C**

### **Aceites de motor multigrados**

Clases de viscosidad: SAE 5W-40 / 10W-40 / 15W-40

## **Schmierstoffklasse 04C**

### **Mehrbereichsmotorenöl**

Viskositätsklassen: SAE 5W-40 / 10W-40 / 15W-40

#### **Produttore (04C)**

#### **Producteur (04C)**

#### **Fabricante (04C)**

#### **Hersteller (04C)**

ADDINOL LUBE OIL GMBH, LEUNA/D  
AGIP SCHMIERTECHNIK GMBH, WÜRZBURG/D  
AGIP SCHMIERTECHNIK GMBH, WÜRZBURG/D  
AVIA MINERALÖL-AG, MÜNCHEN/D  
CEPSA LUBRICANTS S.A., MADRID/E  
CEPSA LUBRICANTS S.A., MADRID/E  
CEPSA LUBRICANTS S.A., MADRID/E  
CHEVRONTEXACO GLOBAL LUBRICANTS, SAN RAMON/USA  
CHEVRONTEXACO GLOBAL LUBRICANTS, SAN RAMON/USA  
ENI S.P.A. REFINING & MARKETING DIVISION, ROME/I  
EXXON MOBIL CORPORATION, FAIRFAX, VIRGINIA/USA  
EXXON MOBIL CORPORATION, FAIRFAX, VIRGINIA/USA  
INA MAZIVA RIJEKA, RIJEKA/HR  
INA MAZIVA RIJEKA, RIJEKA/HR  
KRAFFT S.L., ANDOAIN/E  
KUWAIT PETROLEUM R&T B.V., EUROPOORT RT/NL  
KUWAIT PETROLEUM R&T B.V., EUROPOORT RT/NL  
KUWAIT PETROLEUM R&T B.V., EUROPOORT RT/NL  
KUWAIT PETROLEUM R&T B.V., EUROPOORT RT/NL  
LIQUI MOLY GMBH, ULM/D  
NOVA STILMOIL SPA, MODENA/I  
PAKELO MOTOR OIL S.R.L., SAN BONIFACIO (VR)/I  
PAKELO MOTOR OIL S.R.L., SAN BONIFACIO (VR)/I  
PETRONAS LUBRICANTS BELGIUM NV, AARTSELAAR/B  
SHELL INTERNATIONAL PETROLEUM COMP LTD, LONDON/GB  
SHELL INTERNATIONAL PETROLEUM COMP LTD, LONDON/GB  
TOTAL LUBRIFIANTS S.A., PARIS/F  
TOTAL LUBRIFIANTS S.A., PARIS/F  
TOTAL LUBRIFIANTS S.A., PARIS/F

#### **Denominazione prodotto (04C)**

#### **Nom du produit (04C)**

#### **Nombre (04C)**

#### **Warenzeichen (04C)**

ADDINOL SUPER STAR MX 1547 SAE 15W-40  
AGIP BLITUM T SAE 15W-40  
AUTOL VALVE SHP SAE 15W-40  
AVILUB MULTI HDC-B 15W40  
CEPSA DIESEL TURBO SHPD 15W-40  
CEPSA EUROMAX 15W-40  
CEPSA SUPER MULTIGRADO SHPD 15W-40  
CALTEX DELO 400 MULTIGRADE SAE 15W-40  
CHEVRON DELO 400 MULTIGRADE SAE 15W-40  
AGIP SIGMA TURBO 15W-40  
MOBIL DELVAC 1 SHC  
MOBIL DELVAC XHP EXTRA 10W-40  
INA SUPER 3 15W-40  
INA SUPER 5 15W-40  
SUPERMULTIGRADO D 15W40  
Q8 T 400 SAE 15W-40  
Q8 T 500 SAE 15W-40  
Q8 T 710 SAE 15W-40  
Q8 T 750 SAE 15W-40  
TOURING HIGH TECH DIESELSPEZIALOIL SAE 15W-40  
ORION SUPER PLUS 15W40  
PAKELO GOLDEN D/G SAE 15W/40  
PAKELO PKO HD SUPER 4 SAE 15W/40  
FORZA SAE 15W40  
SHELL RIMULA R3 X 15W-40  
SHELL RIMULA X 15W-40  
TOTAL CAPRANO TD 15W-40  
CAPRANO TDH 15W-40  
TOTAL CAPRANO TDI 15W-40

## DISPOSITIVI DI EMERGENZA / DISPOSITIFS D'URGENCE DISPOSITIVOS DE EMERGENCIA / NOTSCHALTUNGEN

### AVARIA IMPIANTO ELETTRICO

In caso di avaria all'impianto elettrico o ai solenoidi delle elettrovalvole è previsto un sistema meccanico per l'innesto manuale delle frizioni. Per l'azionamento di questo sistema è necessario rimuovere il cappuccio [2] (Fig.10), premere il pulsante [3] (Fig.11) e ruotare in senso antiorario.

### AVERÍA DEL SISTEMA ELÉCTRICO

Cuando hay una avería en el sistema eléctrico o en los solenoides de las electroválvulas el inversor dispone de un sistema mecánico que permite acoplar los embragues a mano. Para accionarlo hay que quitar el capuchón [2] (Fig.10), pulsar [3] (Fig.11) y girar en sentido contrario a las agujas del reloj.

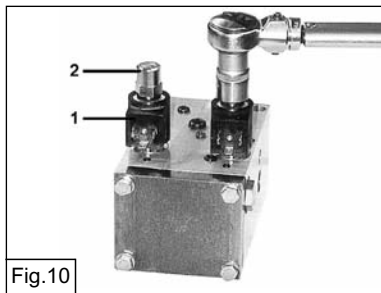


Fig.10

- A**
- valvola chiusa (posizione regolare)
- B**
- valvola aperta (posizione di emergenza)

- A**
- válvula cerrada (posición normal)
- B**
- válvula abierta (posición de emergencia)

Per ripristinare il distributore elettrico serrare il cappuccio [2] a 7 Nm. Serrare a 27 Nm le elettrovalvole se sono state sostituite o rimosse.

**⚠ Per nessuna ragione è consentita questa operazione alle due valvole contemporaneamente, che provocherebbe il bloccaggio della trasmissione a causa dell'innesto contemporaneo delle due frizioni.**

Para restablecer el distribuidor eléctrico hay que apretar el capuchón [2] con 7 Nm. Apretar con 27 Nm las electroválvulas que se hayan sustituido o extraído.

**⚠ Está prohibido hacer esta operación en las dos válvulas simultáneamente, para evitar que al acoplarse juntos los embragues la transmisión se bloquee.**

### PANNE DE L'INSTALLATION ELECTRIQUE

En cas de panne de l'installation électrique ou des solénoïdes des électrovalves, un système mécanique permet d'enclencher les embrayages manuellement. Pour actionner ce système, il est nécessaire d'ôter le capuchon [2] (Fig.10), d'appuyer sur le bouton-poussoir [3] (Fig.11) et de le tourner dans le sens des aiguilles d'une montre.

### AUSFALL DER ELEKTRISCHEN ANLAGE

Für den Fall einer Betriebsstörung der elektrischen Anlage oder an den Solenoiden der Elektroventile ist ein mechanisches System für die Handbetätigung der Kupplungen vorgesehen. Für die Betätigung dieses Systems muss die Kappe [2] (Abb.10) abgenommen, die Taste [3] (Abb.11) gedrückt, und gegen den Uhrzeigersinn gedreht werden.

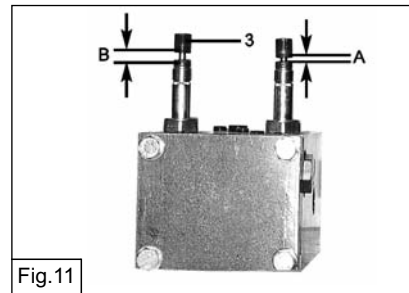


Fig.11

- A**
- valve fermée (position régulière)
- B**
- valve ouverte (position d'urgence)

- A**
- ventil geschlossen (reguläre Stellung)
- B**
- ventil geöffnet (Notstellung)

Pour remettre le distributeur électrique en fonction, serrer le capuchon [2] à 7 Nm. Si elles ont été remplacées ou ôtées, serrer les électrovalves à 27 Nm.

**⚠ Il est absolument interdit d'effectuer cette opération sur les deux valves en même temps. Cela bloquerait le blocage de la transmission à cause de l'insertion simultanée des deux embrayages.**

Um den elektrischen Verteiler rückzusetzen, die Kappe [2] mit 7 Nm festschrauben. Nachdem sie ersetzt oder ausgebaut wurden, müssen die Elektroventile mit einem Anzugsmoment von 27 Nm festgeschraubt werden.

**⚠ Dieser Vorgang darf unter keinen Umständen an beiden Ventilen gleichzeitig durchgeführt werden, weil sonst durch das gleichzeitige Schalten beider Kupplungen das Getriebe blockiert wird.**



## INSTALLAZIONE / INSTALLATION INSTALACIÓN / INSTALLATION

L'invertitore V-DRIVE non viene flangiato direttamente al motore. Verificare che l'albero cardanico di collegamento, non trasmetta vibrazioni dannose alla trasmissione.

L'invertitore V-DRIVE viene installato separatamente con giunto cardanico e può essere fissato al basamento sia elasticamente che rigidamente.

Se necessario, montare oltre al normale giunto elastico applicato al motore, un ulteriore elemento in grado di assorbire le vibrazioni causate da un non perfetto allineamento.

El inversor V-DRIVE no viene embridado directamente en el motor. Verificar si el eje cardánico transmite vibraciones peligrosas a la transmisión.

El inversor V-DRIVE es instalado por separado con articulación doble cardanica, y puede ser fijado a la base tanto elasticamente como rigidamente.

Puede ser necesario suplementar la junta elástica aplicada en el motor con otro elemento que absorba las vibraciones causadas por el alineamiento defectuoso.

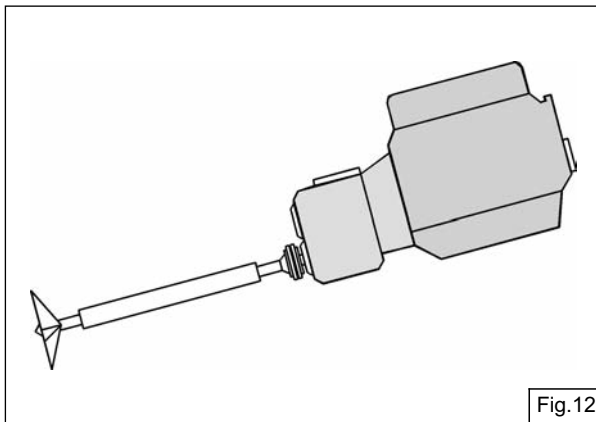


Fig.12

### COLLEGAMENTO ASSE ELICA

Si consiglia l'utilizzo di un supporto reggispinta per alleggerire gli sforzi assiali che agiscono inevitabilmente sull'invertitore. La prestazione del supporto dell'asse d'elica dipende dai carichi operativi e deve essere specificata dal cantiere navale.

L'allineamento deve essere verificato con l'imbarcazione in acqua poiché le deformazioni dello scafo in acqua sono tali da modificare un allineamento eseguito con barca su invaso.

### ACOPLE DEL EJE DE LA HÉLICE

Se aconseja utilizar un soporte axial para atenuar los esfuerzos axiales que se ejercen inevitablemente sobre el inversor. Las características del soporte para el eje de la hélice dependen de las cargas operativas y deben ser calculadas por el astillero.

El alineamiento se debe comprobar cuando la embarcación está en el agua porque en estas condiciones suelen verificarse deformaciones del casco capaces de modificar el alineamiento que se obtuvo en seco.

L'inverseur V-DRIVE n'est pas bridé directement sur le moteur. S'assurer que l'arbre de cardan de raccordement ne transmet aucune vibration nuisible à la transmission.

Le type de fixation a la base, de l'inverseur V-DRIVE, peut être rigide ou élastique.

Si besoin est, au-delà du joint élastique appliqué sur le moteur, monter un élément complémentaire capable d'absorber les vibrations dues à un alignement imparfait.

Das V-DRIVE Getriebe wird nicht direkt an den Motor angeflanscht. Es muss sichergestellt werden, dass die Gelenkwelle keine für das Getriebe schädliche Vibrationen überträgt.

Das V-DRIVE Getriebe wird getrennt mit Gelenkkupplung installiert und kann starr oder elastisch in fundament gelagert werden.

Gegebenenfalls ist neben der normalen drehelastischen Antriebsverbindung ein weiteres Element zu montieren, das in der Lage ist, den Fluchtfehler aufzunehmen.

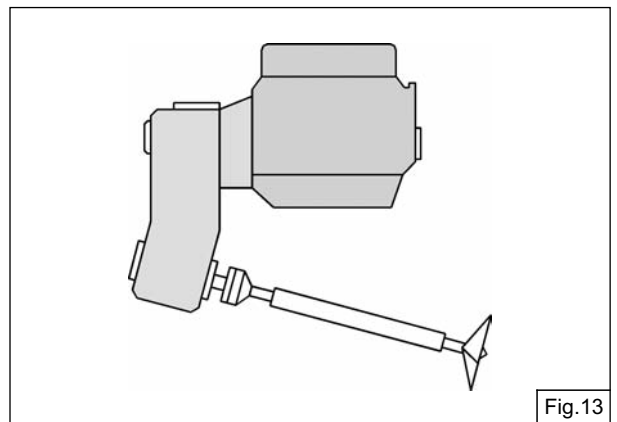


Fig.13

### RACCORDEMENT DE L'AXE DE L'HELICE


Il est conseillé d'utiliser un palier de butée pour réduire les forces axiales qui agissent inévitablement sur l'inverseur. Le rôle du support de l'axe de l'hélice dépend des charges de travail et il doit être précisé par les chantiers navals.


L'alignement doit être vérifié une fois que le bateau est dans l'eau. En effet, une fois dans l'eau, les déformations de la coque sont telles qu'elles risquent de modifier l'alignement effectué sur le berceau.


### ANSCHLUSS DER PROPELLERWELLE

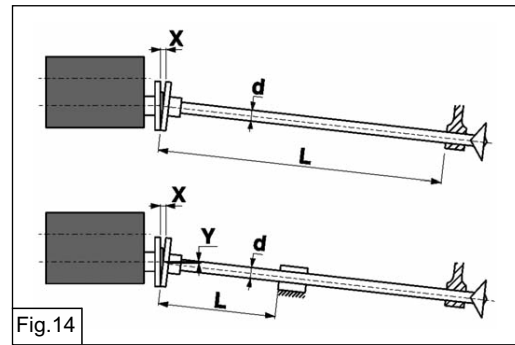
Wir empfehlen die Verwendung eines Drucklagers, um die unweigerlich auf das Getriebe einwirkenden Axialkräfte zu mildern. Die Dimensionierung der Propellerwelle ist abhängig von der Betriebsbelastung und muss von der Werft festgelegt werden.

Für den Ausrichtvorgang muss das Schiff im Wasser schwimmen, denn die Verformungen des Rumpfes im Wasser sind solcherart, dass eine im Staubecken durchgeführte Ausrichtung verändert wird.

 X [mm]  
max. 0,05

 Y [mm]  
max. 0.1


 L [mm]  
min. 500 per  $d < 60$  mm  
min. 1000 per  $d 60 \div 90$  mm  
min. 2000 per  $d > 90$  mm




### INVERTITORE V-DRIVE

Valgono le considerazioni precedenti. Nel caso d'invertitore montato separatamente, s'impiega un giunto cardanico, di lunghezza variabile. Affinché il giunto lavori in condizioni ottimali (trasmissione omocinetica) e non danneggi l'invertitore o il motore, è necessario seguire alcune semplici regole d'installazione, come negli schemi seguenti.

#### METODO DI ALLINEAMENTO CON FLANGE A FACCIE PARALLELE

 Motore ed invertitore devono essere installati in modo che le flange A e B siano parallele.


- 1 Motore.
- 2 Giunto elastico.
- 3 Giunto cardanico di lunghezza variabile.
  - Selezionato secondo le istruzioni della casa costruttrice.
  - In conformità alle istruzioni di installazione.
- 4 Asse d'elica.
- 5 Invertitore marino con entrata e uscita sulla stessa faccia.

 Accertarsi che gli assi longitudinali di giunto elastico, cardano e albero entrata invertitore siano allineati sullo stesso piano verticale.


### INVERSOR V-DRIVE

Se aplican los mismos criterios. Si el inductor está montado por separado, hay que utilizar un acoplamiento cardánico de longitud variable. Para que el acoplamiento trabaje correctamente (transmisión homocinética) y no dañe el inductor o el motor hay que respetar las reglas de instalación que se describen en los esquemas siguientes.

#### ALINEACIÓN CON BRIDAS EN PARALELO

 El motor y el inductor deben instalarse de modo que las bridas A y B sean paralelas.


- 1 Motor.
- 2 Acoplamiento elástico.
- 3 Acoplamiento cardánico de longitud variable.
  - Seleccionado en función de las instrucciones del fabricante.
  - De conformidad con las instrucciones de instalación.
- 4 Eje de la hélice.
- 5 Inversor marino con entrada y salida por el mismo lado.

 Verificar si los ejes longitudinales del acoplamiento elástico, el cardán y el eje de entrada del inductor están alineados en el mismo plano vertical.


### INVERSEURS V-DRIVE

Les considérations précédentes restent valables. Si l'inverseur est monté séparément, utiliser un joint de cardan à longueur variable. Afin que les conditions de fonctionnement du joint soient optimales (transmission homocinétique) et qu'elles n'abîment ni l'inverseur ni le moteur, il est nécessaire de respecter les quelques règles présentées dans les schémas suivants.

#### MÉTHODE D'ALIGNEMENT AVEC BRIDES À FACES PARALLÈLES

 Le moteur et l'inverseur doivent être installés de façon à ce que les brides A et B soient parallèles.


- 1 Moteur.
- 2 Joint élastique.
- 3 Joint de cardan à longueur variable.
  - Sélectionné selon les instructions du fabricant.
  - Conformément aux instructions d'installation.
- 4 Axe d'hélice.
- 5 Inverseur marin avec entrée et sortie sur la même face.

 S'assurer que les axes longitudinaux du joint élastique, du cardan et de l'arbre d'entrée de l'inverseur sont alignés sur le même plan vertical.


### EINBAU V-TRIEB

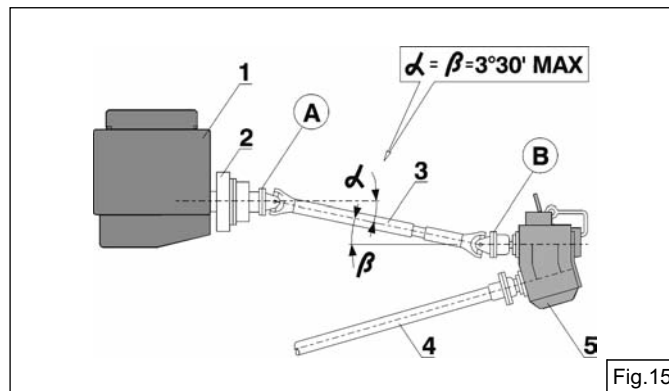
Es gelten dieselben Bestimmungen wie oben. Bei separat montiertem Getriebe wird ein Kardangelenkb mit variabler Länge benutzt. Damit die Verbindung in optimalen Bedingungen (Gleichlaufgelenkwelle) arbeiten, und das Getriebe oder den Motor nicht beschädigen kann, müssen beim Einbau einige einfache Regeln befolgt werden, die aus den nach stehenden Schemen hervorgehen.

#### AUSRICHTMETHODE MITTELS FLANSCHEN MIT PARALLELEN STIRNSEITEN

 Motor und Getriebe müssen so eingebaut werden, dass die Flanschen A und B parallel sind.

- 1 Motor.
- 2 Drehelastische Kupplung.
- 3 Kardangelenkb mit variabler Länge.
  - Auswahl nach Angaben des Herstellers.
  - Einbauvorschriften einhalten.
- 4 Propellerwelle.
- 5 Schiffsgetriebe mit An und Abtrieb auf derselben Seite.

 Sicherstellen, dass die Längsachsen der drehelastischen Kupplung, des Kardangelenkb und die Antriebswelle des Getriebes auf derselben vertikalen Ebene ausgerichtet sind.



### METODO DI ALLINEAMENTO CON ALBERI CONTROPUNTA

- 1 Motore
- 2 Invertitore
- 3 Giunto cardanico di lunghezza variabile.
- Selezionato secondo le istruzioni della casa costruttrice.
- In conformità alle istruzioni di installazione.
- 4 Asse d'elica.

Per facilitare il corretto allineamento del motore e dell'invertitore, cioè per ottenere angoli di collegamento uguali  $\beta_1$  e  $\beta_2$ :

- installare due alberi 6 di allineamento al posto del giunto cardanico;
- gli alberi devono essere di uguale lunghezza;
- allineare le due unità in modo che le teste degli alberi si incontrino per assicurare l'uguaglianza degli angoli  $\beta_1$  e  $\beta_2$ ;
- alla fine rimuovere gli alberi di allineamento ed installare il giunto cardanico;
- accertarsi che gli assi longitudinali di giunto elastico, alberi di allineamento e albero entrata invertitore siano allineati sullo stesso piano verticale.

### MÉTHODE D'ALIGNEMENT AVEC ARBRES À CONTRE-POINTE

- 1 Moteur
- 2 Inverseur
- 3 Joint de cardan à longueur variable.
- Sélectionné selon les instructions du fabricant.
- Conformément aux instructions d'installation.
- 4 Axe d'hélice.

Pour faciliter l'alignement correct du moteur et de l'inverseur, c'est-à-dire pour obtenir des angles de raccordement égaux  $\beta_1$  et  $\beta_2$  :

- installer deux arbres 6 d'alignement à la place du joint de cardan;
- les arbres doivent être de la même longueur;
- aligner les deux unités de façon à ce que les têtes des arbres se rencontrent pour assurer l'égalité des angles  $\beta_1$  et  $\beta_2$ ;
- à la fin, déplacer les arbres d'alignement et installer le joint de cardan;
- veiller à ce que les axes longitudinaux du joint élastique, des arbres d'alignement et de l'arbre d'entrée de l'inverseur soient alignés sur le même plan vertical.

### ALINEACIÓN CON EJES CONTRAPUNTA

- 1 Motor
- 2 Inversor
- 3 Acoplamiento cardánico de longitud variable
- Seleccionado en función de las instrucciones del fabricante
- De conformidad con las instrucciones de instalación
- 4 Eje de la hélice

Para alinear el motor y el inversor correctamente, es decir, para que los ángulos de conexión  $\beta_1$  y  $\beta_2$  sean iguales:

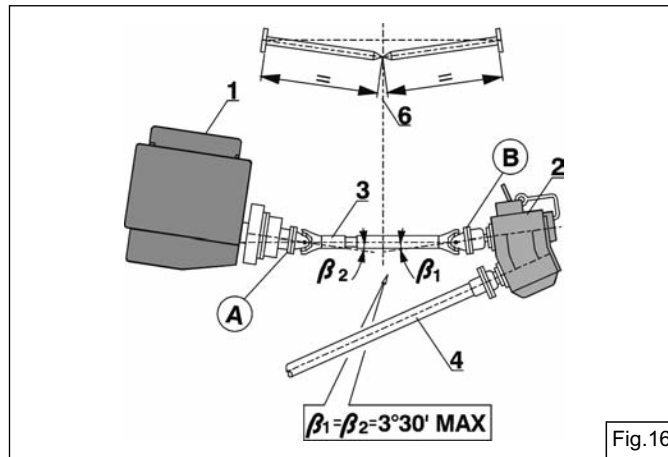
- hay que sustituir el acoplamiento cardánico por dos ejes de alineación 6:
- los ejes deben tener la misma longitud;
- alinear las dos unidades uniendo los extremos de los ejes para que los ángulos  $\beta_1$  y  $\beta_2$  sean iguales;
- al finalizar estas operaciones quitar los ejes de alineación y volver a instalar el acoplamiento cardánico;
- verificar si los ejes longitudinales del acoplamiento cardánico, los ejes de alineación y el eje de entrada del inversor están alineados en el mismo plano vertical.

### AUSRICHTMETHODE MIT AUSRICHTWELLEN

- 1 Motor
- 2 Getriebe
- 3 Kardangelenk mit variabler Länge.
- Auswahl nach Angaben des Herstellers.
- Einbauvorschriften einhalten.
- 4 Propellerwelle.

Um die korrekte Fluchtung von Motor und Getriebe zu erleichtern, d.h. um Gelenkwinkel gleich  $\beta_1$  und  $\beta_2$  zu erhalten:

- anstelle der Kardanwelle zwei Ausrichtwellen 6 installieren;
- die Wellen müssen gleich lang sein;
- Motor und Getriebe so ausrichten, dass beide Spitzen der Ausrichtwellen zusammentreffen, um die Übereinstimmung der Winkel  $\beta_1$  und  $\beta_2$  zu garantieren;
- anschließend die Ausrichtwellen abnehmen und die Kardanwelle montieren;
- sicherstellen, dass die Längsachsen der drehelastischen Kupplung, die Ausrichtwellen und die Antriebswelle des Getriebes auf derselben vertikalen Ebene ausgerichtet sind.



**⚠ Un difetto di allineamento può provocare danni irreversibili alla trasmissione, rumorosità, vibrazioni, danneggiamento dei sistemi di tenuta dello scafo. ZF Padova S.r.l. viene sollevata, in caso di rotture, da qualsiasi prestazione in garanzia.**

Accertarsi che la trasmissione sia stata installata riservando lo spazio necessario per una corretta manutenzione : sostituzione del filtro olio, della pompa e per l'accesso all'asta livello olio. Verificare che il tappo di scarico dell'olio sia facilmente accessibile.

**⚠ Un defecto de alineamiento puede causar a la transmisión daños irreversibles, ruidos, vibraciones y hasta afectar los sistemas de estanqueidad. En caso de roturas ZF Padova S.r.l. no ofrece ningún servicio en garantía.**

La transmisión se debe instalar dejando el espacio necesario para poder hacer trabajos de mantenimiento: sustitución del filtro de aceite y de la bomba, manipulación de la varilla de nivel de aceite, etc. El tapón del orificio de salida del aceite también debe ser accesible.

**⚠ Un défaut d'alignement peut provoquer des dommages irréversibles à la transmission, du bruit, des vibrations, des dommages des systèmes d'étanchéité de la coque. En cas de rupture, ZFPadova S.r.l. est dégagé de tout service sous garantie.**

S'assurer que la transmission a été installée en réservant l'espace pour effectuer correctement l'entretien nécessaire: remplacement du filtre à huile, de la pompe et pour accéder à la jauge d'huile. S'assurer que le bouchon de vidange est facile à atteindre.

**⚠ Ein Fluchtfehler kann nicht wieder gut zu machende Schäden am Getriebe, einen lauten Betrieb, Vibrationen, sowie die Beschädigung der Dichtsysteme des Rumpfes verursachen. Im Schadensfall wird ZF Padova S.r.l. von jeder Garantiepflicht entbunden.**

Beim Einbau des Getriebes ist darauf zu achten, dass genügend freier Raum für den Ersatz des Ölfilters und der Pumpe, sowie zum Herausziehen des Ölmesstabes vorhanden ist, um eine korrekte Wartung zu gestatten. Ebenso muss der Ölablassstopfen zugänglich sein.

Tab. 3

	Longitudinale statico Longitudinal statique Longitudinal estático Längs statisch	Di beccheggio De tangage Cabeceo Stampfbewegung	Di rollio De roulis Balanceo Rollbewegung
<p>ANGOLI DI INSTALLAZIONE CONSENTITI IN NAVIGAZIONE [°] (Con riferimento agli assi ortogonale e longitudinale dell'™albero di entrata rispetto al piano orizzontale)</p> <p>ANGLES D'INSTALLATION CONSENTIS EN NAVIGATION [°] (Avec référence aux axes orthogonal et longitudinal de l'arbre d'entrée par rapport au plan horizontal)</p> <p>ÁNGULOS DE INSTALACIÓN PERMITIDOS PARA LA NAVEGACIÓN [°] (medidos en los ejes perpendicular y longitudinal del árbol de entrada con respecto al plano horizontal)</p> <p>IM FAHRBETRIEB ZULÄSSIGE EINBAUWINKEL [°] (Bezogen auf die rechtwinklige und Längsachse der Antriebswelle im Vergleich zur horizontalen Ebene)</p>	- 5 ÷ + 10	-10 ÷ + 25	-15 ÷ + 15

## MANUTENZIONE / ENTRETIEN MANTENIMIENTO / WARTUNG

### PROGRAMMAZIONE DI MANUTENZIONE / PROGRAMME D'ENTRETIEN PROGRAMMA DE MANTENIMIENTO / WARTUNGSZEITPLAIN

Tab. 4

Annuale-500 ore Annuel-500 heures Anual-500 horas Jährlich-nach jeweils-500 Betriebsstunden	6 mesi-250 ore 6 mois-250 heures Semestral-250 horas Halbjährlich-nach jeweils-250 Betriebsstunden	Giornaliero Quotidien Diario Täglich	Dopo le prime 50 ore di funzionamento Après le premier 50 heures de fonctionnement Después de 50 horas de funcionamiento Nach dem ersten 50-Stunden-Betrieb	<h3 style="text-align: center;">INTERVENTI DI MANUTENZIONE OPÉRATIONS D'ENTRETIEN OPERACIONES WARTUNGSARBEITEN</h3>
✓	✓	✓		Controllo perdite olio Contrôle des fuites d'huile Revisar si hay fugas de aceite Kontrolle der Ölverluste
✓	✓		✓	Controllo livello olio Contrôle du niveau d'huile Revisar el nivel de aceite Kontrolle des Ölstands
✓	✓		✓	Stringere tutti i collegamenti a vite accessibili dall'esterno Serrer tous les raccordements à vis accessibles de l'extérieur Apretar todos los tornillos y acoples roscados accesibles desde fuera Alle von außen zugänglichen Schraubverbindungen nachziehen
✓	✓		✓	Regolazione telecomandi Réglage des télécommandes Ajustar los mandos a distancia Fernsteuerungen einstellen
✓	✓		✓	Controllo filtro aspirazione Contrôle du filtre d'aspiration Revisar el filtro de aspiración Saugfilter kontrollieren
✓	✓			Pulizia esterna della trasmissione Nettoyage externe de la transmission Limpiar la transmisión por fuera Getriebe außen reinigen
✓	✓			Lubrificazione di parti esterne in movimento Lubrification des pièces mobiles externes Lubricar las partes móviles externas Bewegliche äußere Teile einfetten
✓			✓	Cambio dell'olio Vidange d'huile Cambiar el aceite Motoröl wechseln
✓				Controllo visivo del giunto flessibile di accoppiamento Contrôle visuel du joint d'accouplement flexible Revisar la junta flexible Sichtkontrolle der drehelastischen Kupplung

Annual-500 ore Annuel-500 heures Anual-500 horas Jährlich-nach jeweils-500 Betriebsstunden	6 mesi-250 ore 6 mois-250 heures Semestral-250 horas Halbjährlich-nach jeweils-250 Betriebsstunden	Giornaliero Quotidien Diario Täglich	Dopo le prime 50 ore di funzionamento Après le premier 50 heures de fonctionnement Después de 50 horas de funcionamiento Nach dem ersten 50-Stunden-Betrieb	<b>INTERVENTI DI MANUTENZIONE            OPÉRATIONS D'ENTRETIEN            OPERACIONES            WARTUNGSARBEITEN</b>
✓				Supporti flessibili Supports flexibles Soportes flexibles Elastische Lagerungen
✓				Indicatori e strumenti di controllo Indicateurs et instruments de contrôle Indicadores e instrumentos de control Anzeigen und Kontrollinstrumente
✓				Sostituzione anodi in zinco Remplacement des anodes en zinc Sustitución de los ánodos de zinc Zinkanoden auswechseln
✓				Scambiatore di calore Echangeur de chaleur Intercambiador de calor Ölkühler

### CONTROLLO LIVELLO OLIO

Il controllo del livello dell'olio va eseguito dopo due minuti dallo spegnimento del motore. Il giusto livello olio è fra il segno superiore e quello inferiore dell'asta di controllo (vedere Fig.17).

Dopo primo riempimento o una riparazione oppure la pulizia del filtro olio, si deve far funzionare l'invertitore per circa due minuti. Successivamente si deve rieseguire il controllo del livello dell'olio dopo due minuti dallo spegnimento del motore.

### CONTROLE DU NIVEAU D'HUILE

Le contrôle du niveau d'huile doit être exécuté deux minutes après avoir arrêté le moteur. Le bon niveau d'huile est compris entre le cran supérieur et le cran inférieur de la jauge de contrôle (voir Fig.17).

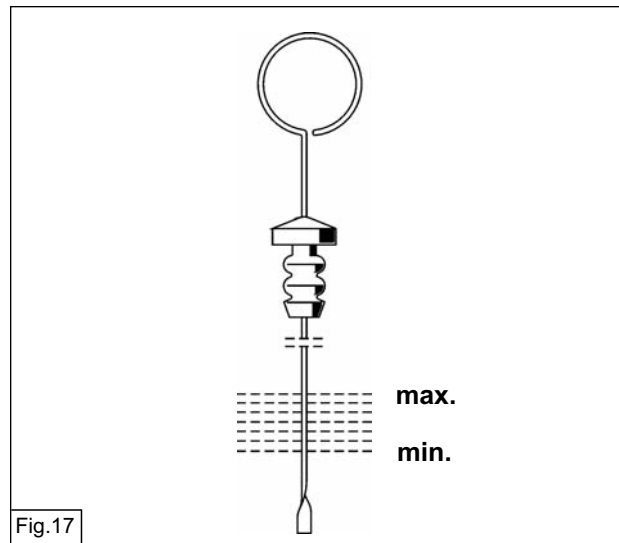
Après le premier remplissage, après une réparation ou après le nettoyage du filtre à huile, il est nécessaire de faire marcher l'inverseur pendant deux minutes environ. Ensuite, exécuter de nouveau le contrôle du niveau d'huile deux minutes après avoir arrêté le moteur.

### NIVEL DE ACEITE

El nivel de aceite se debe revisar dos minutos después de apagar el motor. Es correcto cuando está entre las dos marcas de referencia (véase la Fig.17). Después del primer llenado, una reparación o la limpieza del filtro de aceite hay que hacer funcionar el inversor por lo menos dos minutos. El nivel se debe volver a controlar dos minutos después de apagar el motor.

### ÖLSTANDKONTROLLE

Die Ölstandskontrolle darf frühestens zwei Minuten nach dem Abstellen des Motors durchgeführt werden. Der richtige Ölstand liegt zwischen der oberen und unteren Messmarke des Ölmesstabes (siehe Abb.17). Nach Erstbefüllung, Reparaturen oder Reinigung des Ölfilters das Getriebe etwa zwei Minuten lang laufen lassen. Danach muss der Ölstand zwei Minuten nach dem Abstellen des Motors noch einmal kontrolliert werden.





### CAMBIO OLIO

Asportare il tappo [2] di carico ed estrarre l'asta livello olio [1].

Provvedere al drenaggio dell'olio lubrificante rimuovendo i tappi di scarico [3] e recuperare le rispettive guarnizioni.

Recuperare l'olio esausto, attenendosi alle leggi vigenti per quanto riguarda lo smaltimento di rifiuti speciali. Avvitare i tappi [3] con una coppia di 90 Nm, procedere al riempimento d'olio attraverso il tappo di carico e avvitare il tappo con una coppia di 50 Nm.

### VIDANGE D'HUILE

Enlever le bouchon [2] de remplissage et ôter la jauge d'huile [1].

Éliminer l'huile de lubrification en enlevant les bouchons de vidange [3] et récupérer les joints.

Récupérer l'huile usée dans une cuvette et respecter les lois en vigueur en matière de mise au rebut des déchets spéciaux.

Visser les bouchons [3] à un couple de 90 Nm, introduire l'huile à travers le bouchon de remplissage et visser le bouchon à un couple de 50 Nm.

### CAMBIO DE ACEITE

Quitar el tapón [2] de llenado y extraer la varilla del aceite [1].

Drenar todo el aceite quitando los tapones [3].

Guardar las juntas de los tapones.

Manejar el aceite usado tal como estipulan las leyes sobre manejo de residuos tóxicos de la localidad en que se realiza el trabajo.

Cerrar los tapones [3] con un par de 90 Nm, rellenar con aceite nuevo por la boca de llenado y apretar el tapón de la misma con un par de 50 Nm.

### ÖLWECHSEL

Den Öleinfüllstopfen abnehmen [2] und den Ölmesstab wie auf [1].

Ölablassstopfen [3] herausdrehen, Dichtungen zurückbehalten und Öl ablassen. Das verbrauchte Öl in einem Behälter auffangen und gemäß den gesetzlichen Vorschriften entsorgen. Die Stopfen [3] mit einem Anzugsmoment von 90 Nm wieder einschrauben, über die Öleinfüllöffnung Öl einfüllen und dann den Einfüllstopfen mit einem Anzugsmoment von 50 Nm zuschrauben.

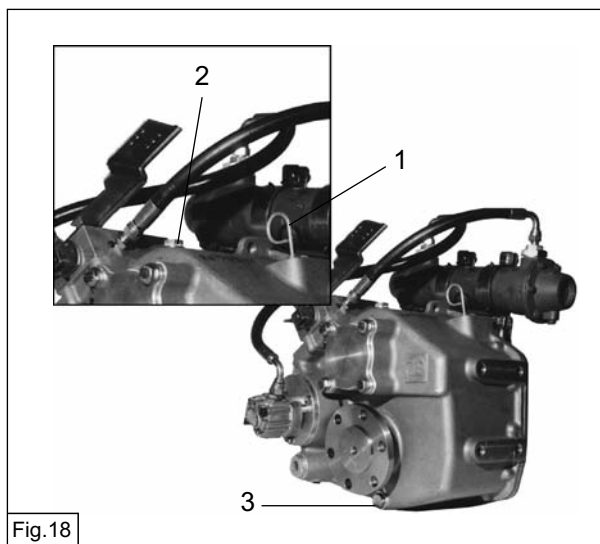


Fig.18

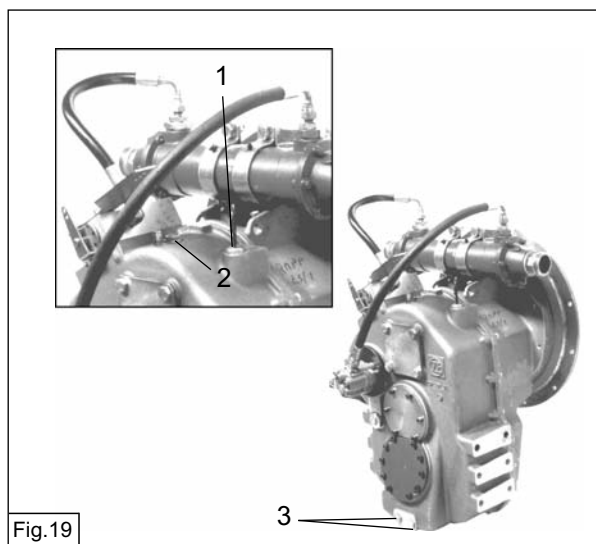


Fig.19

### CONTROLLO FILTRO ASPIRAZIONE

Il filtro in aspirazione deve essere ispezionato e pulito dopo le prime 50 ore di navigazione, e in seguito ogni 250 ore e/o 6 mesi. Il filtro è collocato a monte della pompa.

Procedura di rimozione (Fig.20 - 21): togliere il tappo [1], rimuovere il filtro [2], rimuovere la guarnizione [3] sostituendola con una nuova, pulire il filtro. Il tappo [1] deve essere avvitato con una coppia di 120 Nm.

### CONTROLE DU FILTRE D'ASPIRATION

Le filtre d'aspiration doit être contrôlé et nettoyé après les 50 premières heures de navigation, puis toutes les 250 heures ou tous les 6 mois. Le filtre se trouve en amont de la pompe.

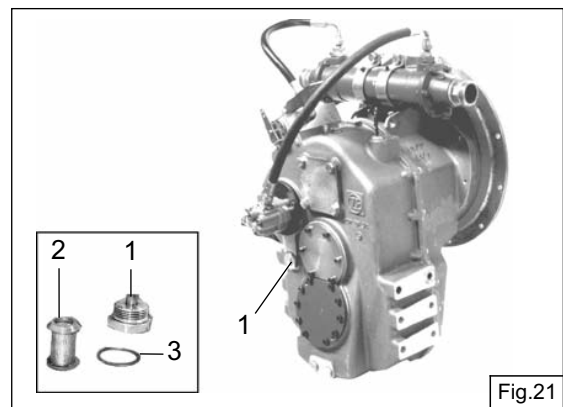
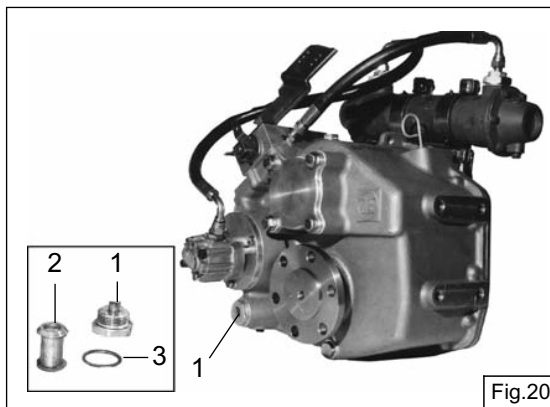
Procédure de démontage (Fig. 20-21): ôter le bouchon [1], enlever le filtre [2] et retirer le joint [3] en le remplaçant par un neuf, nettoyer le filtre. Le bouchon [1] doit être vissé à un couple de 120 Nm.

### FILTRO DE ASPIRACIÓN

El filtro de aspiración se debe inspeccionar y limpiar a las primeras 50 horas de navegación y sucesivamente cada 250 horas y/o cada 6 meses. Está colocado aguas arriba del motor de la bomba. Extracción (Fig.20 - 21): quitar el tapón [1], extraer el filtro [2], extraer la junta [3] sustituirla con una nueva, limpiar el filtro. El tapón [1] se debe cerrar con un par de 120 Nm.

### SAUGFILTER KONTROLLIEREN

Der Saugfilter muss nach den ersten 50 Betriebsstunden erstmals, und dann nach jeweils 250 Betriebsstunden bzw. halbjährlich inspiziert und gesäubert werden. Der Filter befindet sich vor der Pumpe. Ausbau (Abb.20 - 21): den Deckel [1] entfernen, den Filter [2] ausbauen, die Dichtung [3] herausnehmen, durch eine neue ersetzen, und den Filter säubern. Der Deckel [1] muss mit einem Anzugsmoment von 120 Nm festgeschraubt werden.



## REGOLAZIONE TELECOMANDI

A motore spento togliere la spina di collegamento del cavo telecomando con la leva del distributore.

Collocare la stessa in posizione di marcia avanti.

Posizionare la leva in plancia comando in posizione marcia avanti e controllare la coincidenza degli attacchi (cavo-leva). Ripetere l'operazione nel senso di marcia opposto e, nel caso di irregolarità registrare opportunamente la tiranteria. Controllare infine la coincidenza della posizione di folle della leva in plancia con la posizione di folle della leva del distributore.

Effettuare analogo controllo su "Flying Bridge" se presente. Questa operazione va verificata anche dopo le prime ore di funzionamento.

## CONTROLLO GIUNTO FLESSIBILE DI ACCOPPIAMENTO

Sostituire il giunto flessibile se dopo un attento controllo si notano la presenza di strappi alla parte in gomma o contaminazione della stessa da parte dell'olio lubrificante.



**Togliere la chiave di avviamento prima di procedere all'operazione.**



**Non usare composti chimici su componenti in gomma. Assicurarsi del regolare serraggio di viti e raccordi. Lubrificare periodicamente i meccanismi di comando esterni secondo le raccomandazioni del Costruttore.**

## AJUSTE DE LOS TELEMANDOS

Apagar el motor y desenchufar el cable del mando a distancia de la palanca del distribuidor. Poner la palanca en la posición de marcha adelante. Poner la palanca del púlpito en la posición de marcha adelante y controlar si los acoples cable-palanca coinciden.

Repetir esta operación en marcha atrás y registrar el varillaje si se observan irregularidades. Comprobar si coinciden el punto muerto de la palanca del púlpito y el de la palanca del distribuidor. Repetir esta comprobación para "Flying Bridge" (si existe). Estas comprobaciones se deben volver a repetir después de las primeras horas de funcionamiento.

## ACOPLES FLEXIBLES

Si se observa que la goma está rota o contaminada con lubricante hay que sustituir la junta flexible.



**Quitar la llave de arranque antes de proceder a la sustitución.**



**No tratar los componentes de goma con ningún tipo de compuesto químico. Los tornillos y los racores deben estar bien apretados. Lubricar periódicamente los mecanismos externos de los mandos de acuerdo con las recomendaciones del fabricante.**

## REGLAGE DES TELECOMMANDES

Le moteur étant éteint, ôter la fiche de raccordement du câble de la télécommande avec le levier du distributeur. Mettre ce dernier en position Marche avant.

Positionner le levier du tableau de bord sur Marche avant et s'assurer que les prises (câble-levier) coïncident. Refaire l'opération dans le sens de marche opposé et, en cas d'irrégularité, régler la timonerie comme il se doit. Enfin, s'assurer que la position de point mort du levier du tableau de bord correspond à la position de point mort du levier du distributeur.

Effectuer le même contrôle sur "Flying Bridge" si ce dispositif est présent. Cette opération doit être vérifiée même après les premières heures de marche.

## CONTROLE DU JOINT D'ACCOUPEMENT FLEXIBLE

Remplacer le joint flexible si, après un contrôle minutieux, on remarque que la partie en caoutchouc est déchirée ou qu'elle est salie par de l'huile de lubrification.



**Retirer la clé de contact avant d'effectuer cette opération.**



**Ne pas utiliser de composés chimiques sur les pièces en caoutchouc. S'assurer que les vis et les raccords sont serrés comme il se doit. Lubrifier régulièrement les mécanismes de commande externes selon les recommandations du fabricant.**

## FERNSTEUERUNGEN EINSTELLEN

Bei ausgeschaltetem Motor den Stift entfernen, mit dem das Fernsteuerungskabel mit dem Verteilerhebel verbunden ist. Dann den Schalthebel in "Voraus"-Stellung bringen. Den Schalthebel an der Kommandobrücke in "Voraus"-Stellung bringen und die Übereinstimmung der Anschlüsse (Kabel/Hebel) überprüfen. Den Vorgang in der entgegengesetzten Fahrriichtung wiederholen und bei Unregelmäßigkeiten das Übertragungsgestänge entsprechend nachstellen. Anschließend die Übereinstimmung der Neutralstellung des Schalthebels an der Kommandobrücke mit der Neutralstellung des Verteilerhebels kontrollieren. Schaltstellung an "Flying Bridge", sofern vorhanden, analog prüfen. Dieser Vorgang sollte auch nach den ersten Betriebsstunden durchgeführt werden.

## SICHTKONTROLLE DER DREHELASTISCHEN KUPPLUNG

Die drehelastische Kupplung muss ersetzt werden, wenn bei einer akkuraten Kontrolle Anrisse und Versprödungen der Gummiteile oder deren Verschmutzung mit Schmieröl festgestellt werden.



**Vor Durchführung dieses Vorgangs den Zündschlüssel ziehen.**



**An den Gummiteilen keine chemischen Substanzen verwenden. Den ordnungsgemäßen Anzug von Schrauben und Verbindungen überprüfen. Die äußeren Mechanismen der Getriebebetätigung gemäß den Angaben des Herstellers regelmäßig einfetten.**

## INCONVENIENTI E RIMEDI / DETERIORATIONS ET SOLUTIONS PROBLEMAS Y SOLUCIONES / BETRIEBSSTÖRUNGEN UND ABHILFEN

<b>GUASTO PANNE PROBLEMA FEHLER</b>	<b>CAUSA CAUSE CAUSA URSACHE</b>	<b>RIMEDIO SOLUTION SOLUCIÓN ABHILFE</b>
<p>1) Pressione olio assente nel circuito principale e di lubrificazione in posizione neutrale o marcia.</p> <p>Pression d'huile inexistante dans le circuit principal et de lubrification en position neutre ou en marche</p> <p>No hay presión de aceite en el circuito principal y en el de lubricación ni en punto muerto ni con el motor en marcha</p> <p>Kein Arbeitsöldruck im Haupt- und im Schmierkreislauf in Neutral- oder Fahrstellung</p>	<p>1 - Assenza d'olio nell'invertitore 2 - Filtro in aspirazione totalmente intasato 3 - Giunto trascinato pompa rotto</p> <p>1 - Manque d'huile dans l'inverseur 2 - Filtre d'aspiration complètement bouché 3 - Joint d'entraînement de la pompe brisé</p> <p>1 - No hay aceite en el inversor 2 - El filtro de aspiración está totalmente atascado 3 - La junta de arrastre de la bomba está rota</p> <p>1 - Kein Öl im Getriebe eingefüllt 2 - Saugfilter vollkommen verstopft 3 - Pumpen-Schleppverbindung schadhaft</p>	<p>-Riempire d'olio l'invertitore *-Rimuovere e pulire il filtro *-Rimuovere la pompa e sostituire il giunto</p> <p>- Remplir l'inverseur d'huile *- Démontez le filtre et le nettoyer *- Démontez la pompe et remplacez le joint</p> <p>- Llenar el inversor de aceite *- Quitar el filtro y limpiarlo *- Quitar la bomba y sustituir la junta</p> <p>- Öl einfüllen *- Filter ausbauen und säubern *- Pumpe ausbauen und Kupplung ersetzen</p>
<p>2) Pressione olio insufficiente in posizione di marcia</p> <p>Pression d'huile insuffisante en position de marche</p> <p>No hay suficiente presión de aceite con el motor en marcha</p> <p>Zu niedriger Öldruck in Fahrstellung</p>	<p>1 - Livello olio insufficiente 2 - Errata posizione della leva selezione innesto marcia. 3 - Filtro in aspirazione parzialmente intasato 4 - Olio di tipo non prescritto 5 - Posizione leva trolling nel campo di trolling (se presente).</p> <p>1 - Niveau d'huile insuffisant 2 - Position erronée du levier de sélection des vitesses 3 - Filtre d'aspiration partiellement bouché 4 - Huile d'un type non conforme 5 - Position du levier trolling dans le champ de trolling (si présent)</p> <p>1 - El nivel de aceite es insuficiente 2 - La palanca de cambios está en posición errónea 3 - El filtro de aspiración está parcialmente atascado 4 - Se ha utilizado un aceite no recomendado 5 - La palanca de trolling está en el campo de trolling (si existe)</p> <p>1 - Ungenügender Ölstand 2 - Falsche Stellung des Gangschalthebels 3 - Saugfilter teilweise verstopft 4 - Ölsorte entspricht nicht den Vorschriften 5 - Trolling-Schalthebel befindet sich im Trolling-Bereich (sofern vorgesehen)</p>	<p>- Ripristinare livello olio - Registrare la tiranteria di comando - Rimuovere e pulire il filtro - Sostituire l'olio con quello prescritto - Riportare la leva in posizione di trolling escluso</p> <p>- Rétablir le niveau d'huile - Régler la timonerie de commande - Démontez le filtre et le nettoyer - Vidanger l'huile avec le type indiqué - Remettez le levier en position Trolling exclu</p> <p>- Restablecer el nivel de aceite - Registrar el varillaje del mando - Quitar y limpiar el filtro - Sustituir el aceite por uno de los recomendados - Llevar la palanca fuera del campo de trolling</p> <p>- Öl nachfüllen - Übertragungsgestänge einstellen - Filter ausbauen und säubern - Vorgeschriebene Ölsorte verwenden - Trolling-Schaltung ausschließen</p>

3) Temperatura olio elevata	<ul style="list-style-type: none"> <li>1 - Insufficiente portata d'acqua allo scambiatore</li> <li>2 - Scambiatore di calore sporco</li> <li>3 - Livello olio eccessivo o insufficiente</li> <li>4 - Olio di tipo non prescritto</li> <li>5 - Slittamento frizioni</li> </ul>	<ul style="list-style-type: none"> <li>*- Sostituire valvole e tubazioni con altre disezioni interna superiore</li> <li>*- Pulire lo scambiatore</li> <li>- Ripristinare livello normale</li> <li>- Sostituire l'olio con quello prescritto</li> <li>- Verificare la pressione di esercizio</li> </ul>
Température de l'huile élevée	<ul style="list-style-type: none"> <li>1 - Débit d'eau arrivant à l'échangeur insuffisant</li> <li>2 - Echangeur de chaleur encrassé</li> <li>3 - Niveau d'huile excessif ou insuffisant</li> <li>4 - Huile d'un type non conforme</li> <li>5 - Patinage des embrayages</li> </ul>	<ul style="list-style-type: none"> <li>*- Remplacer les soupapes et les tuyaux par des pièces présentant une section intérieure supérieure</li> <li>*- Nettoyer l'échangeur</li> <li>- Rétablir le bon niveau</li> <li>- Vidanger l'huile avec le type indiqué</li> <li>- Vérifier la pression de service</li> </ul>
La temperatura del aceite es demasiado alta	<ul style="list-style-type: none"> <li>1 - El flujo del intercambiador es insuficiente</li> <li>2 - El intercambiador de calor está sucio</li> <li>3 - El nivel de aceite está fuera del rango correcto</li> <li>4 - Se ha utilizado un aceite no recomendado</li> <li>5 - Los embragues resbalan</li> </ul>	<ul style="list-style-type: none"> <li>*- Sustituir las válvulas y los tubos por otros con mayor sección interior</li> <li>*- Limpiar el intercambiador</li> <li>- Llevar el aceite a un nivel aceptable</li> <li>- Sustituir el aceite por uno de los recomendados</li> <li>- Comprobar la presión de trabajo</li> </ul>
Zu hohe Öltemperatur	<ul style="list-style-type: none"> <li>1 - Ungenügende Wasserdurchflussmenge durch den Kühler</li> <li>2 - Ölkühler verschmutzt</li> <li>3 - Zu hoher oder zu niedriger Ölstand</li> <li>4 - Ölsorte entspricht nicht den Vorschriften</li> <li>5 - Kupplungen rutschen</li> </ul>	<ul style="list-style-type: none"> <li>*- Ventile und Leitungen durch andere mit größerem Innendurchmesser ersetzen</li> <li>*- Ölkühler säubern</li> <li>- Normalen Ölstand wiederherstellen</li> <li>- Vorgeschriebene Ölsorte verwenden</li> <li>- Betriebsdruck kontrollieren</li> </ul>
4) Variazione livello olio	1 - Scambio acqua-olio attraverso lo scambiatore	*- Controllare e sostituire lo scambiatore
Variation du niveau d'huile	1 - Echange eau-huile à travers l'échangeur	*- Contrôler et remplacer l'échangeur
Variación del nivel de aceite	1 - Intercambio de agua-aceite por medio del intercambiador	*- Revisar el intercambiador o sustituirlo
Änderung des Ölspiegels	1 - Ölverlust durch den Ölkühler in das Kühlwassersystem bzw. Wassereintritt in den Ölkreislauf aus dem Kühlsystem	*- Ölkühler kontrollieren und ersetzen

\* Per porre rimedio ai punti contrassegnati con il suddetto simbolo è consigliabile rivolgersi ai centri autorizzati ZF.

\* Pour résoudre les problèmes indiqués par ce symbole, il est conseillé de s'adresser aux centres ZF agréés.

\* Para solucionar los problemas marcados con este símbolo se recomienda contactar con un centro autorizado de ZF.

\* Für die Behebung der mit dem obigen Symbol gekennzeichneten Probleme empfehlen wir, sich an eine ZF-Service Station zu wenden.

## CENTRI DI ASSISTENZA / CENTRES D'ASSISTANCE CENTROS DE ASISTENCIA / SERVICE-STATIONEN

### SALES, AFTERSALES & SERVICE COMPETENCE CENTERS

ZF utilizes a global network of factory owned locations and independent business partners to support our customers. Approximately 400 partners worldwide are dedicated to Sales, Aftersales and Service of ZF marine products. To find your nearest ZF product support, please contact your Regional Competence Center from the list below or visit: [www.zf.com](http://www.zf.com) and follow: Products & Services/Service network to find a ZF partner in your country.

[service.marine@zf.com](mailto:service.marine@zf.com)  
[www.zf.com/contact](http://www.zf.com/contact)

### PRODUCT COMPETENCE CENTERS

**ZF Padova s.r.l.\***  
Via Penghe, 48  
35030 Caselle di Selvazzano (PD)  
ITALY  
Phone: +39 049 8299-311  
[info.zfpadova@zf.com](mailto:info.zfpadova@zf.com)

**ZF Padova s.r.l. – location Arco\***  
Via S. Andrea, 16  
38062 Arco (Trento)  
ITALY  
Phone: +39 0464 580-555  
[service.marine@zf.com](mailto:service.marine@zf.com)

**ZF Friedrichshafen AG\* Marine Propulsion Systems**  
Ehlersstr. 50  
88046 Friedrichshafen  
GERMANY  
Phone: +49 7541 77 2207  
[service.marine@zf.com](mailto:service.marine@zf.com)

**ZF Marine Krimpen B.V.\***  
Zaag 27, P.O. Box 2020  
2930 AA Krimpen aan de Lek  
THE NETHERLANDS  
Phone: +31 180 331-000  
[service.marine@zf.com](mailto:service.marine@zf.com)

**ZF Faster Propulsion System Co., Ltd.\***  
17, Dayou 1st Street  
Dafa Industrial District  
Daliao District  
83163 Kaohsiung City TAIWAN, R.O.C.  
Phone: +886 7 787 1831  
[info.kaohsiung@zf.com](mailto:info.kaohsiung@zf.com)

\* Manufacturing locations

### EUROPE LOCAL COMPETENCE CENTERS

**CYPRUS**  
**Char. Pilakoutas (Industrial) Ltd.**  
7, Larnacos Str, 1035  
P.O. Box 21168 1503 Nicosia  
CYPRUS  
Phone: +357 225 8630 0  
[industrial@charpilakoutas.com.cy](mailto:industrial@charpilakoutas.com.cy)  
[www.pilakoutas-industrial.com](http://www.pilakoutas-industrial.com)

**CROATIA**  
**duing, d.o.o.**  
Stupari 18b  
51216 Viškovo  
CROATIA  
Phone: +385 51 683 242  
[zf-marine@duing.hr](mailto:zf-marine@duing.hr)  
[www.duing.hr](http://www.duing.hr)

**DENMARK**  
**ZF danmark ApS**  
Taastrupgaardsve 8-10  
2630 Taastrup  
DENMARK  
Phone: +45 70 2262 43  
[zfdk@zf.com](mailto:zfdk@zf.com)

**ESTONIA**  
**Baltic Marine Group AS**  
Paljassaare tee 14  
10313 Tallinn  
ESTONIA  
Phone: +372 68333 00  
[bm@bm.ee](mailto:bm@bm.ee)

**FINLAND**  
**Atoy oy**  
ruukintie 7-9  
02330 Espoo  
FINLAND  
Phone: +358 9 682 71  
[zf@atoy.fi](mailto:zf@atoy.fi)

**FRANCE**  
**ZF Services France SAS**  
3-11 rue Henri Poincaré  
92167 Antony Cedex  
FRANCE  
Phone: +33 170 7479 59  
[marine.zf-france@zf.com](mailto:marine.zf-france@zf.com)

**GERMANY**  
**ZF Friedrichshafen AG Marine Propulsion Systems**  
Zamdorferstrasse 90  
81677 München  
GERMANY  
Phone: +49 89 930 094 63/64  
Fax: +49 89 930 094 21  
[guenther.koepfel@zf.com](mailto:guenther.koepfel@zf.com)

**Otto Piening Gmbh**  
Am Altendeich 83  
25348 Blomesche Wildnis  
GERMANY  
Phone: +49 4124 9168 0  
Fax: +49 4124 3716  
[Luetjens@piening-propeller.de](mailto:Luetjens@piening-propeller.de)  
[www.piening-propeller.de](http://www.piening-propeller.de)

---

**GREECE**

**K. & e. Malerdos Co.**  
20, Ymittou str  
18 540 Piraeus  
GREECE  
Phone: +30 210 417 9693  
malerdos@malerdos.gr  
www.malerdos.gr

**Tekmar ltd.**

15 Ethn. makariou Str.  
18 547 Neofaliro, Piraeus  
GREECE  
Phone: +30 210 4820 814  
tekmar@hol.gr

**Ariexpo S.A.**

68, Alimou Avenue, Alimos  
17 455 Athens  
GREECE  
Phone: +30 210 984 3863  
ariexpo@tee.gr  
www.ariexpo.gr

**MALTA**

**oceans**  
17, main Street  
Zurrieq ZrQ 03  
MALTA  
Phone: +356 21 640 703  
mylake@maltanet.net

**NORWAY**

**KGK Norge As**  
Caspas Storms vei 19  
0664 Oslo  
NORWAY  
Phone: +47 22 8846 80  
firmapost@kgk.no  
henning.fjeldberg@kgk.no

**POLAND**

**Marine Works**  
Grünwaldzka 212  
80266 Gdansk  
POLAND  
Phone: +48 58 324-4930  
www.marineworks.eu

**SPAIN**

**ZF Services España, S.A.U.**  
Avenida Fuentemar, 11  
28823 Coslada (Madrid)  
SPAIN  
Phone: +34 91 485 2698  
jorge.torre@zf.com

**SWEDEN**

**KG Knutsson Ab**  
**Transmissionsdivisionen**  
Ruskvädersgatan 10  
41834 Göteborg  
SWEDEN  
Phone: +46 31 648 800  
per.svensson@kgk.se

**KG Knutsson Ab**

**Transmissionsdivisionen**  
Hammarbacken 8  
19149 Sollentuna (Stockholm)  
SWEDEN  
Phone: +46 8 923 000  
Fax: +46 8 929 599  
tomas.lofvenberg@kgk.se

**THE NETHERLANDS**

**ADSvanSTIGT**  
Avelingen West 30  
4202 MS Gorinchem  
THE NETHERLANDS  
Phone: +31 183 650 000  
info@vanstigt.com

**TURKEY**

**ZF Services türk San. Ve tic. A.S.**  
**ZF Marine Eurasia**  
Adil mah. Demokrasi Cad. no:17  
34935 Sultanbeyli, Istanbul  
TURKEY  
Phone: +90 216 592 1144  
info.zfmarine.eurasia@zf.com

**UNITED KINGDOM**

**ZF Services UK**  
Abbeyfield Road  
Lenton  
Nottingham NG7 2SX  
ENGLAND  
Phone: +44 844 257 0333  
peter.nelmes@zf.com

---

**NORTH AMERICA, MEXICO,  
CENTRAL AMERICA, CARIBBEAN  
REGIONAL COMPETENCE CENTER**

**ZF Marine Propulsion Systems**  
**Miramar, LLC**  
15351 SW 29th Street, Suite 300  
Miramar, Florida 33027  
USA  
Phone: +1 954 441 4040  
service.marine.na@zf.com

**LOCAL COMPETENCE CENTERS**

**ZF Marine Propulsion Systems**  
**Miramar, LLC**  
3903 Columbia Avenue  
Linwood, PA 19061  
USA  
Phone: +1 610 328 0176

**ZF Marine Propulsion Systems**  
**Miramar, LLC**  
12125 Harbor Reach Drive  
Ste. B  
Mukilteo, WA 98275  
USA  
Phone: +1 425 583 1900

**ZF Marine Propulsion Systems**  
**Miramar, LLC**  
161 James Drive West  
Suite 120  
St. rose, LA 70087  
USA  
Phone: +1 504 443 0501

---

## **SOUTH AMERICA REGIONAL COMPETENCE CENTER**

**ZF do Brasil Ltda**  
Av. Conde Zeppelin, 1935 Eden  
18103-000 Sorocaba-SP  
BRAZIL  
Phone: +55 15 4009 2158  
service.marine.sa@zf.com

### **LOCAL COMPETENCE CENTERS**

**ARGENTINA**  
**Transmisiones Marinas S.A.**  
Hernandarias 3656  
B7603GNH Mar Del Plata  
ARGENTINA  
Phone: +54 223 480 7174  
tm@tmgroup.com.ar  
www.tmgroup.com.ar

**CHILE**  
**Euro-American Diésel Chile SpA.**  
Cerro Los Cóndores 141-A  
Quilicura  
Santiago  
CHILE  
Phone: +56 2 27471085  
Mobile: +56 9 890011290  
Fax: +56 2 27471085  
glarenas@eadc.cl  
www.eadc.cl

**COLOMBIA**  
**LJPROCenter**  
Km 3 Vía Mamonal  
Cra 56 # 1-340  
Cartagena  
COLOMBIA  
Phone: +57 320 549 1818  
Mobile: +1 954 246 9802  
luis@ljpropcenter.com  
www.ljpropcenter.com

**ECUADOR**  
**Comercial de Productos  
Industriales y Marinos S.A.**  
"COPRIMARSA"  
Km 12.5 Vía a Daule Urb.  
Colina del Sol mz. 2021 V.5  
Guayaquil – Guayas  
ECUADOR  
Phone: +593 4 2017489  
mobile: +593 9 99613032 - 1235328  
Fax: +593 4 2017490  
coprimarsa@gmail.com  
www.coprimarsa.amawebs.com

**Peru**  
**PGO INTERNATIONAL S.A.C.**  
Calle Toribio Pacheco 390  
Miraflores  
Lima 18  
PERU  
Phone: +51 1421 6055  
Mobile: +51 999 654283  
pgorbegoso@pgoperu.com

**VENEZUELA**  
**Sistemas de Propulsión C.A.**  
Avda 67 A, Pl. 04,  
entre calles 149A y 149B  
Municipio San Francisco  
Maracaibo, Estado Zulia  
VENEZUELA  
Phone: +58 261 736 2575  
Fax: +58 261 736 3415  
m.graticola@sistemasdepropulsion.com  
www.sistemasdepropulsion.com

---

## **ASIA PACIFIC REGIONAL COMPETENCE CENTER**

**ZF Asia Pacific Pte. Ltd.**  
20 Harbour Drive  
06-01 PSA Vista  
Singapore, 117612 SinGAPOrE  
Phone +65 6773-7551  
info.zf-services.sg@zf.com  
www.zf.com/ap

### **LOCAL COMPETENCE CENTERS**

**AUSTRALIA**  
**ZF Services Australia Pty Ltd.**  
14 Lidco Street  
Arndell Park NSW 2148  
AUSTRALIA  
Phone: +61 2 9679-5555  
info.zf-services.au@zf.com

**ZF Services Australia Pty Ltd. (WA)**  
2 Pavers Circle  
Malaga WA 6090  
AUSTRALIA  
Phone: +61 8 9248-1096  
info.zf-services.au@zf.com

**ZF Services Australia Pty Ltd. (Vict)**  
Unit C13, 2A Westall Road  
Clayton Vict. 3168  
AUSTRALIA  
Phone: +61 3 9265-2032  
info.zf-services.au@zf.com

**CHINA**  
**ZF Services (China) Co., Ltd.**  
No 162 Luoxiu Road  
Xuhui District  
Shanghai, 200023  
P.R. CHINA  
Phone: +86 21 2350-0600  
info.zf-services.cn@zf.com  
www.zf.com/cn

**Holyfort Industrial (HK) Ltd. (China office)**  
Unit 806, Yu Yi Industrial Bldg.  
Shekou Fishing Port  
Wanghai Rd., Nanshan Dist.  
Shenzhen 518067 Guangdong Province  
P.R. CHINA  
Phone: +86-755-2669 4351  
info.zf-services.cn@zf.com  
sales@holyfort.com



---

**HONG KONG**  
Foilborne Engineering Ltd.  
Unit A8-9, 13/F, Veristrong  
Industrial Centre  
34-36 An Pui Wan Street  
Fo-Tan, Shatin,  
N.T. HONG KONG  
Phone: +85 2687 2988  
foilborne@foilborne.com.hk

**INDIA**  
**ZF Marine Middle east LLC**  
India Branch  
A 308, Gokul Arcade  
Sahar Road, Vile Parle (East)  
Mumbai-57  
INDIA  
Phone: +91 22 6758-4658

**JAPAN**  
**ZF Japan Co. Ltd.**  
Palazzo Astec 7, 8F – 2-8-1  
Higashi Shimbashi, Minato-ku  
Tokyo 105-0021  
JAPAN  
Phone: +81 3 4590-7700  
info.tjy@zf.com

**MIDDLE EAST**  
**ZF Marine Middle East LLC**  
Ras Al Khor Ind. Area-2  
Al Aweer, Al Kharbash Building  
P.O. Box 60203, Dubai  
U.A.E.  
Phone: +971 (0) 4 333 1530  
service.marine.me@zf.com

**KOREA (SOUTH)**  
**ZF Services Korea Co. Ltd.**  
422-2 Chongchon-dong  
Bupyong-Gu  
Incheon 403-032  
REP. OF KOREA  
Phone: +82 32 505-1508  
ouksang.park@zf.com  
service.marine.ind@zf.com

---

**AFRICA**  
**REGIONAL COMPETENCE CENTER**

**ZF Services South Africa (Pty) Ltd. – Cape town branch**  
29 Proton Crescent  
Stikland Bellville 7530  
SOUTH AFRICA  
Phone: +27 21 950-9300  
info.zfsa@zf.com

**LOCAL COMPETENCE CENTERS**

**MAROKKO, MAURETANIEN, SENEGAL**  
**CAPCI s.a.r.l**  
78 Rue El Houd Houd  
(Ex: Calais)  
Casablanca, Morocco 20000  
Phone: +212 522 20 01 90 91  
Fax: +212 522 27 88 49  
info@capci.ma

**ALGERIA**  
**ZF Algérie S.a.r.l.**  
143A Postfach B.P.  
Route nationale no.5  
16300 Rouiba  
ALGERIA  
Phone: +213 21 817595

---

**RUSSIA**  
**REGIONAL COMPETENCE CENTER**

**ZF Marine Russia**  
Salova Street, 53 Building 1A  
192102 Saint Petersburg  
RUSSIA  
Phone: +7 812 449 92 96  
service.marine.ru@zf.com

**ATTESTATI DI MANUTENZIONE / CERTIFICATS D'ENTRETIEN  
FICHA DE MANTENIMIENTO / WARTUNGSNACHWEISE**

Ore lavoro / Heures de marche Horas de trabajo / Arbeitsstunden
_____
Data, timbro, firma / Date, timbre, signature Fecha, sello, firma / Datum, Stempel, Unterschrift

Ore lavoro / Heures de marche Horas de trabajo / Arbeitsstunden
_____
Data, timbro, firma / Date, timbre, signature Fecha, sello, firma / Datum, Stempel, Unterschrift

Ore lavoro / Heures de marche Horas de trabajo / Arbeitsstunden
_____
Data, timbro, firma / Date, timbre, signature Fecha, sello, firma / Datum, Stempel, Unterschrift

Ore lavoro / Heures de marche Horas de trabajo / Arbeitsstunden
_____
Data, timbro, firma / Date, timbre, signature Fecha, sello, firma / Datum, Stempel, Unterschrift

**ATTESTATI DI MANUTENZIONE / CERTIFICATS D'ENTRETIEN  
FICHA DE MANTENIMIENTO / WARTUNGSNACHWEISE**

Ore lavoro / Heures de marche Horas de trabajo / Arbeitsstunden
_____ Data, timbro, firma / Date, timbre, signature Fecha, sello, firma / Datum, Stempel, Unterschrift

Ore lavoro / Heures de marche Horas de trabajo / Arbeitsstunden
_____ Data, timbro, firma / Date, timbre, signature Fecha, sello, firma / Datum, Stempel, Unterschrift

Ore lavoro / Heures de marche Horas de trabajo / Arbeitsstunden
_____ Data, timbro, firma / Date, timbre, signature Fecha, sello, firma / Datum, Stempel, Unterschrift

Ore lavoro / Heures de marche Horas de trabajo / Arbeitsstunden
_____ Data, timbro, firma / Date, timbre, signature Fecha, sello, firma / Datum, Stempel, Unterschrift

**ZF Padova s.r.l.**

Marine Propulsion Systems

Via Penghe, 48

35030 Caselle di Selvazzano (PD) - ITALY

Tel. +39 049 8299 311

Fax +39 049 8299 550

[www.zf-marine.com](http://www.zf-marine.com)



**MOTION AND MOBILITY**