



OXE ELECTRONIC CONTROL SYSTEM

www.oxe-diesel.com

OXE ELECTRONIC CONTROL SYSTEM

FUNCTIONS & TECHNICAL SPECIFICATION

The OXE **Electronic Control** system delivers precise control of a boat's shift and throttle functions. The actuators link to the control head through a single CANbus harness - for easy routing and fast installation. Adding multiple control stations is easy by adding a single harness. All The OXE **Electronic Control** system kits come with all components needed for an installation, including power harness, and 30 feet of network harness. The OXE **Electronic Control** system delivers an improved level of throttle control that makes it easier to handle your boat.

CONTROL UNITS



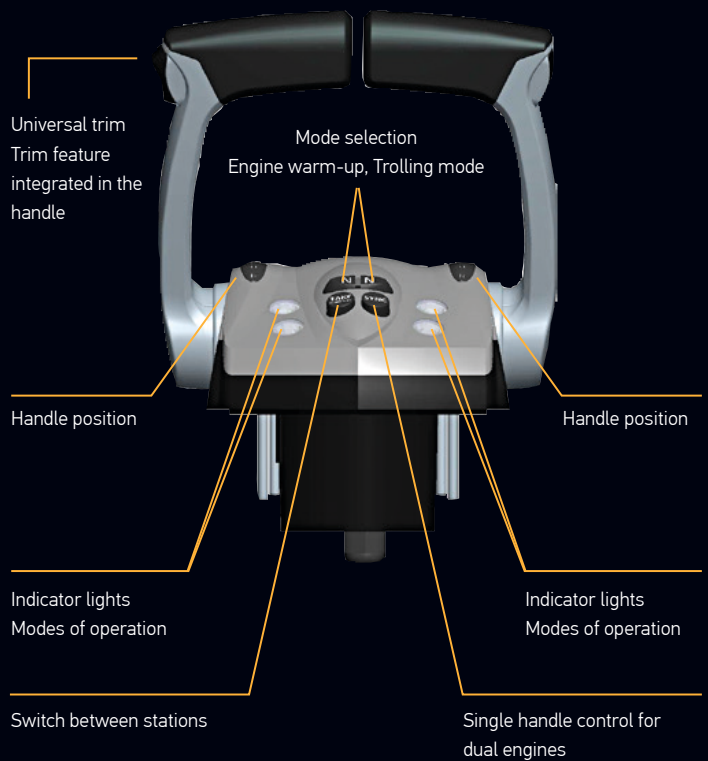
APPLICATIONS

- Suitable for all engines with mechanical shift and mechanical throttle
- Single or twin engine applications
- Inboards, IO's and Outboards
- Supports up to three stations

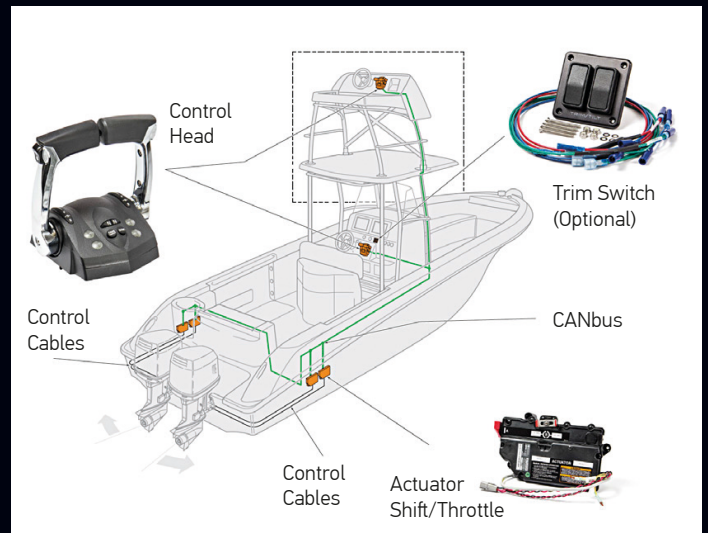
FEATURES

- Mechanical override "get home" feature
- Trolling mode
- Add a station kits available -total of 3 stations
- Meets: ABYC P-24, CE, EN 60945
- Neutral warm-up
- Dual engine RPM synchronization for single handle operation
- Incorporates neutral start protection
- Adjustable control lever drag and detent settings
- Works on 12v systems
- Programmable shift delay
- Comes with 30' of harness to connect actuators to control head
- Compatible with joystick controls

DUAL ENGINE CONTROL HEAD



DUAL ENGINE SYSTEM SCHEMATIC



CIMCO
Endurance by Engineering

CIMCO MARINE AB
Metallgatan 17B, SE-262 72 Ängelholm. SWEDEN
info@oxe-diesel.com, www.oxe-diesel.com