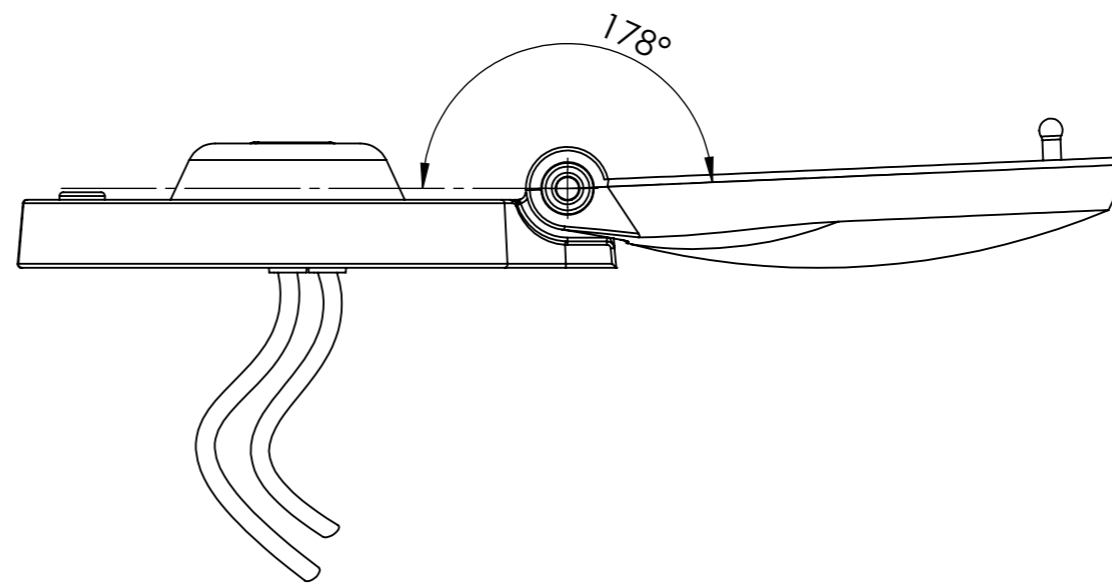
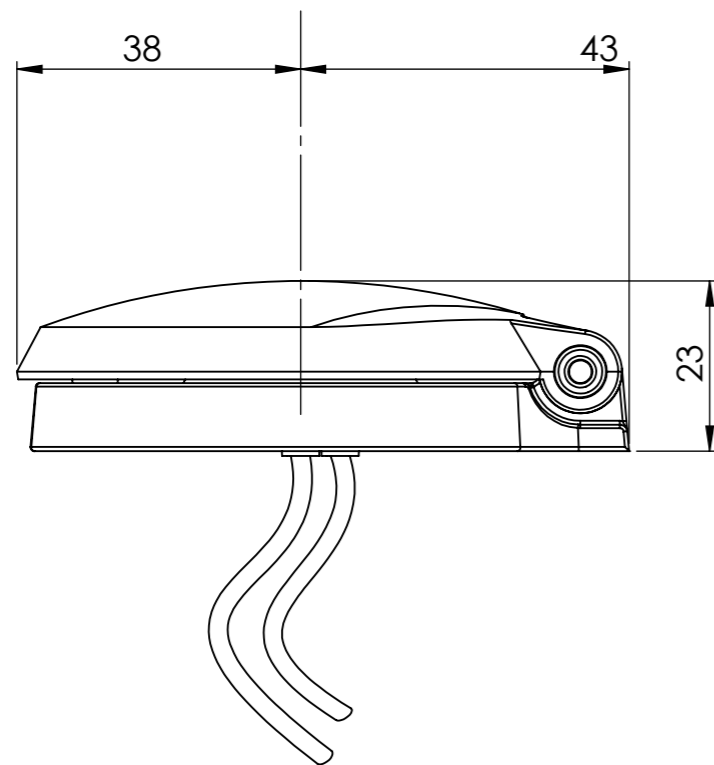
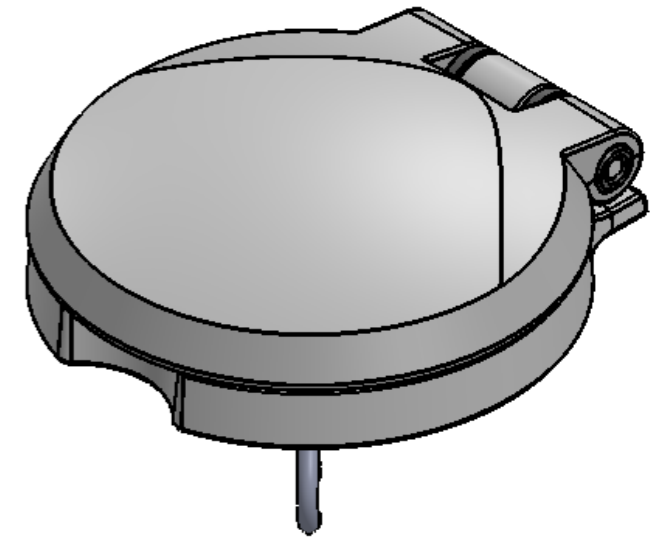


4 holes equispaced on Ø64PCD



**Rating: 5Amp**

Rev.	Change	Made on	Des/Drawn	Checked
0.10	New design	2/12/2015	DH	CP

This drawing is protected by copyright and the design and or details contained therein are the confidential property of MAXWELL MARINE INTERNATIONAL LTD. This drawing must be returned upon demand and must not be copied, loaned or have its contents communicated to any other persons, including subcontractors, without the consent in writing from Maxwell Marine International Ltd. This drawing must not be used for any other purpose other than that for which it was originally supplied.

Sht Size	Scale	Dwg Type	Sheet	Description	Pbw/Dwg No.
A3	1:1	?	1 of 1	<b>Footswitch SS</b>	<b>P105521</b>