

New Ice Drink Clear WT Integrated Water Tank

PRODUCT INFORMATION No. 2022-01

Benedetta Rinaldi

Indel Webasto Marine
Sales & Marketing

- Comfort on board is the key “feature” of every Isotherm product
- Our products are born with the aim to enhance the user experience, allowing usability, practicality & performance even in critical marine environment
- Drinking your preferred cocktail along your cruise, is a subject that we answer within a complete product range, to maintain and cool down wine (Divino range), and to produce fresh ice on board (Ice Makers range)
- We are glad to introduce you the masterpiece of Ice Makers range, the new Isotherm Ice Drink Clear WT (integrated Water Tank)

- The Clear Ice Maker, thanks to the exclusive Spray technology, is capable to produce a large amount of ice cubes up to 18 kgs per day.
- It has the best production capacity ratio on the market, providing high quality ice cubes, compact & crystalline, ideal for your cocktails and drinks.
- Till today it was available as standard with direct water connection, to be used with boat's water tank, with the option to get an external water kit, for the direct supply of mineral water

- The growing market request to “control and secure” the quality of the ice cubes, by pouring mineral water into the unit, has strived for a better integrated solution of an Ice Maker with its tank device
- The new Isotherm Ice Drink Clear WT (integrated Water Tank) represents the answer to this request, with its integrated Water Tank, that does not enlarge the installation space with an additional product part to be fit in



- Complete stainless-steel design
AISI 304
- Production capacity of 18 kgs per day, the highest ratio ice production/external dimensions on the market
- Spray technology for clear ice
- Available both in 115 V 60 Hz and 230 V 50 or 60 Hz



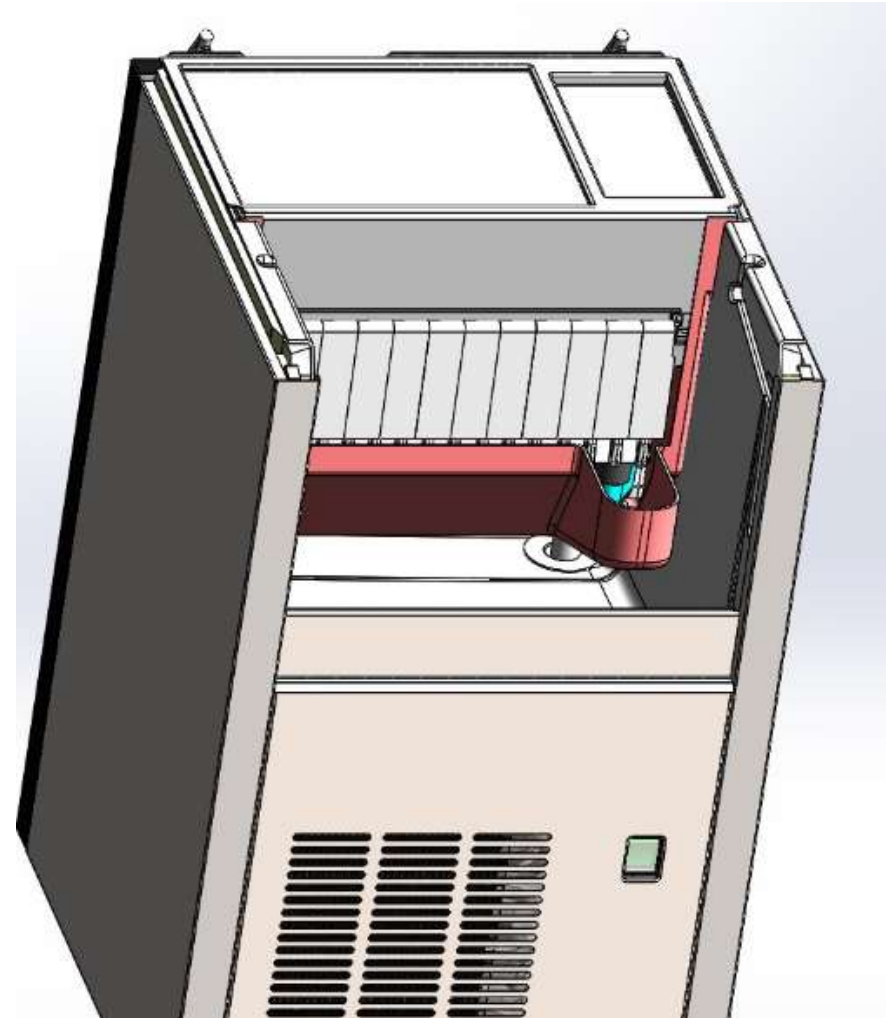
- Quality cubes: compact, cold and crystalline that drop into the collection bin, (not refrigerated), meeting the ice requirements even at peak demand times
- Front to rear ventilation, with additional Venting Kit available as optional for critical application
- Three side flange available as optional for a perfect aesthetical installation



- Tropical Class certified (+43°C)
- Inspectable limescale filter
- HCFC-Free door & container insulation
- Insulated door with concealed opening
- Certified for an international usage



- The new Ice Maker will be 100% replaceable with the standard unit, since in dimensions and in performance specifications both units are identical
- The only difference is concerning the integrated water tank, that is fitted inside the ice container
- All inner plastic parts, designed to be in touch with ice and water are MOKKA certified



- The inner Water Tank has a total capacity of 3 litres
- This quantity has to be added @ empty container, to reach the maximum level visually indicated
- A “water drop symbol” indicates when it is time to refill the tank
- After the first cycle, the quantity of water to be poured inside the container is about 2 litres, while inside the remaining quantity is 1 liter



Results taken by loading 3 liters of mineral water



Temperature °C	Production kg/24h
@21°C Ext air Temp. @15 °C Water Temp.	22kg/24h
@32°C Ext air Temp. @21°C Water Temp.	18kg/24h
@38°C Ext air Temp. @25°C Water Temp.	14kg/24h
@43°C Ext air Temp. @28°C Water Temp.	11kg/24h

Single cycle. Every cycle produces 200gr. of ice



Temperature °C

Time Min:Sec

@21°C Ext air Temp.
@15 °C Water Temp.

14:00 min

@32°C Ext air Temp.
@21°C Water Temp.

16:30 min

@38°C Ext air Temp.
@25°C Water Temp.

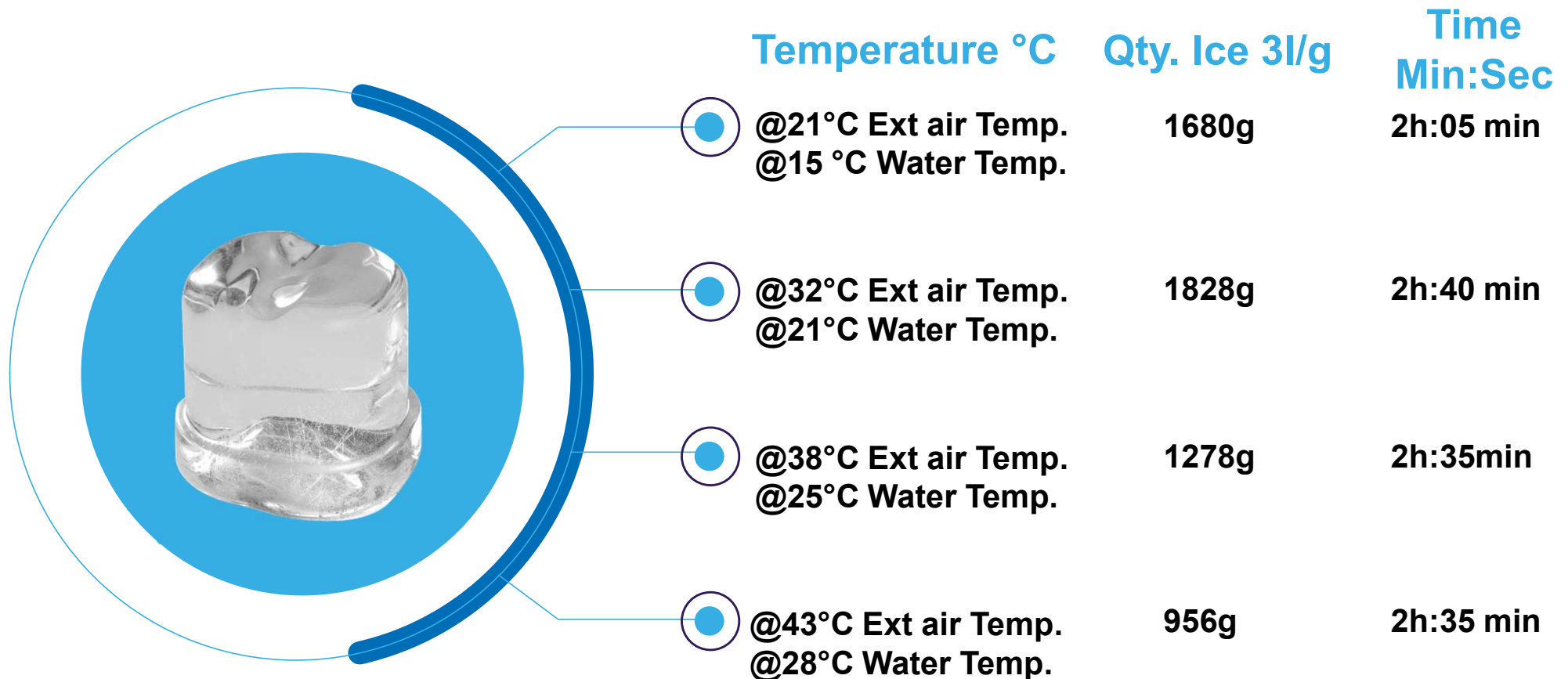
19:00 min

@43°C Ext air Temp.
@28°C Water Temp.

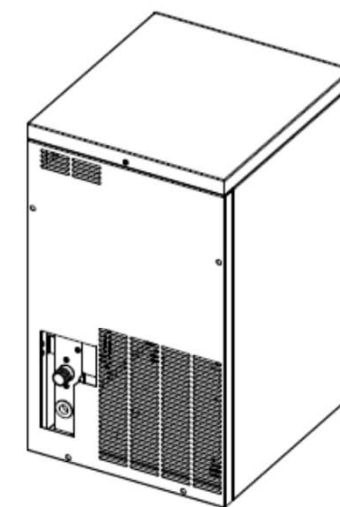
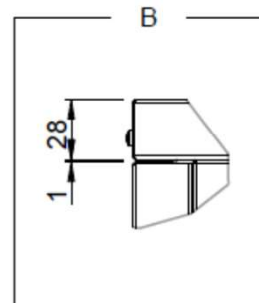
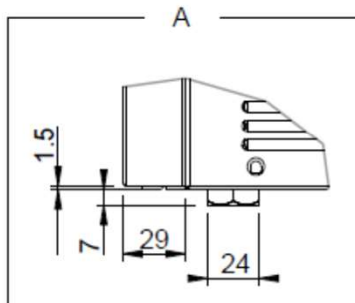
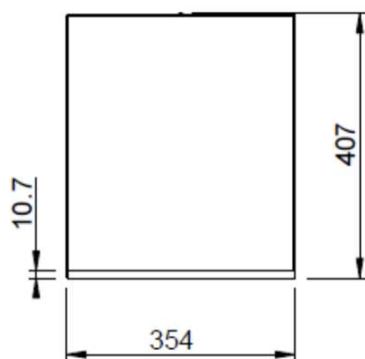
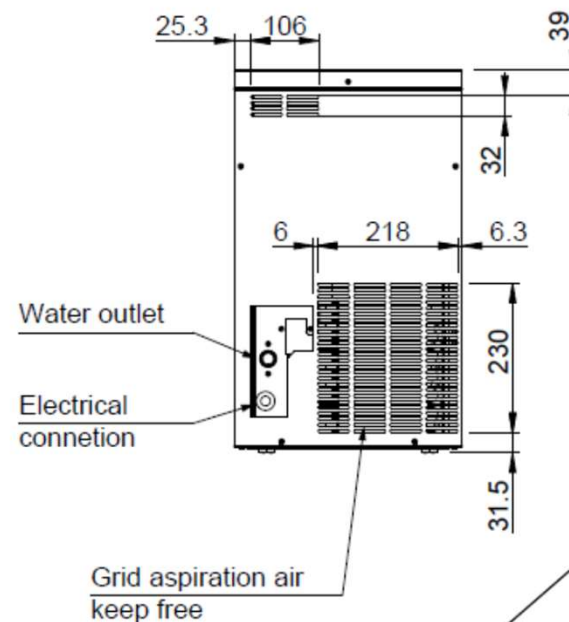
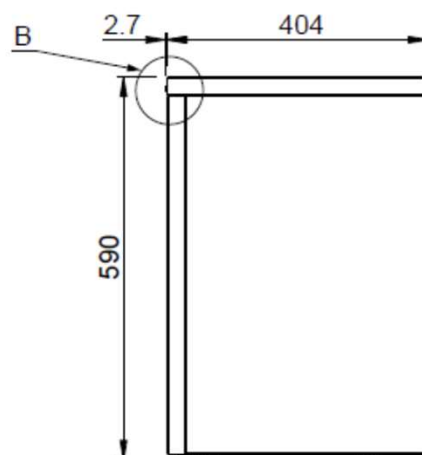
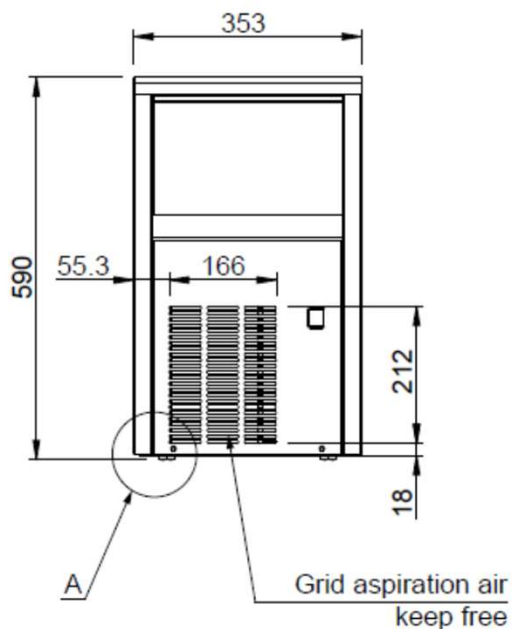
25:30 min

Quantity ice data and timing taken with a refill at the different temperatures

The time to produce 1kg of ice goes from a minimum of less than an hour (@21°C) at a maximum of almost three @ 43°C



ICEDRINK CLEAR WT
2D EXTERNAL DIMENSION



Production in 24h	22 kgs
Container (up to)	4 kgs
Refill tank	3 l
Condensation	Air
Ice cube type	D - 13g
Refrigerant	R452A
Average absorbed power	320 W
Fuse	10 A
Water consumption	Air 4,5 l/kg
Dimensions (WxDxH)	355x404x590 mm
Packaging dimensions (WxDxH)	415x445x750 mm
Feet	5 mm
Net weight / Gross weight	26 Kg. / 32.5 kg
Finishing	Stainless Steel 18/8

Part Numbers, Description, Prices and Availability

Part Number	Description	Price
5S18A11A0T000	ICEDRINK CLEAR WT 230V/50Hz	Pls contact IWM
5S18A12A0T000	ICEDRINK CLEAR WT 230V/60Hz	Pls contact IWM
5S18A14A0T000	ICEDRINK CLEAR WT 115V/60Hz	Pls contact IWM

Part Numbers, Description, Prices and Availability

- Isotherm Ice Drink Clear WT is produced in Italy and must be ordered from the warehouse in Secchiano, Italy
- It will be available starting from end of May 2022
- No minimum order quantity is requested
- Delivery time is usually 4 weeks from order; minimum stock-in-trade always available for emergencies

Certificates, Documentation, Packaging Details, Maintenance and servicing

- Isotherm IceDrink Clear is provided with CE certification
- Instruction and user manual is included in the packing
- Packaging dimensions: mm 415 x 445 x 750 H
- On one pallet cm 90 x 120 x 160 H, 12 pcs.



Full stainless-steel design



Highest Ice production capacity on the market



Available both in 115 V 60 Hz and 230 V 50 or 60 Hz



Tropical Class certified (+43°C)



Integrated Water Tank for mineral water



Exclusive Clear Ice technology, High quality ice cubes



Ventilation Kit for critical application

Thank you for your attention