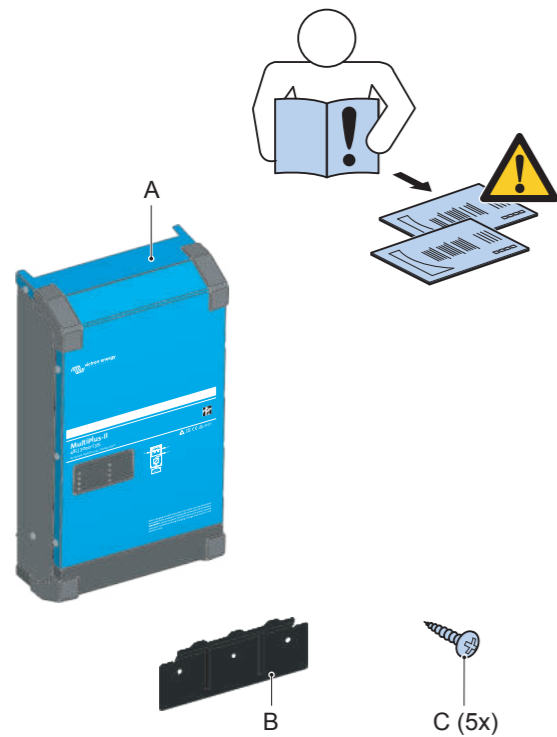


# Quick Installation Guide

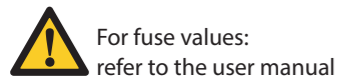
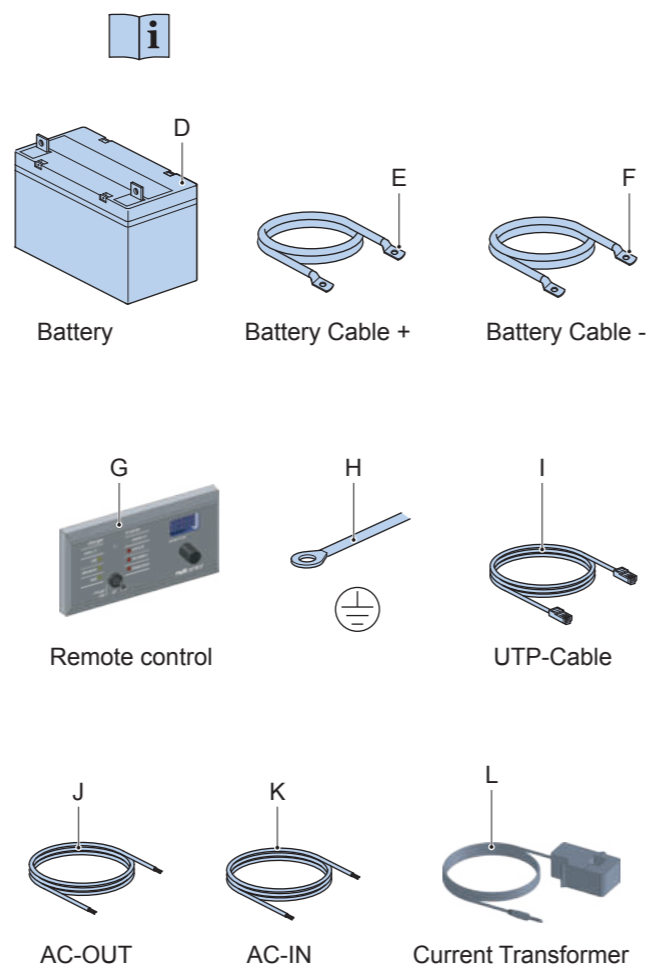
MultiPlus-II 48V 3000VA 230Vac

www.victronenergy.com

## Included

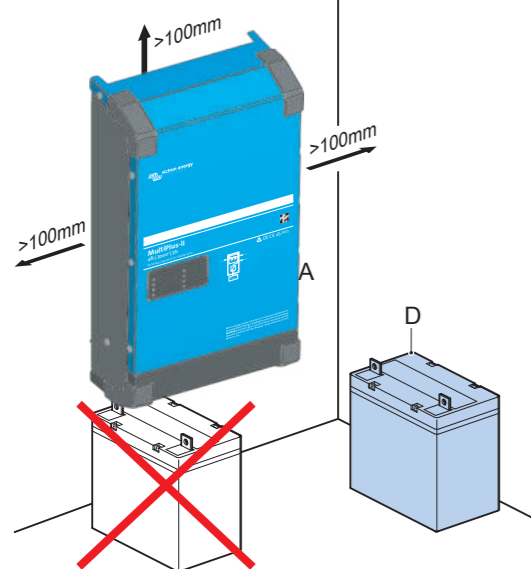
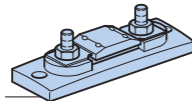


## Not included

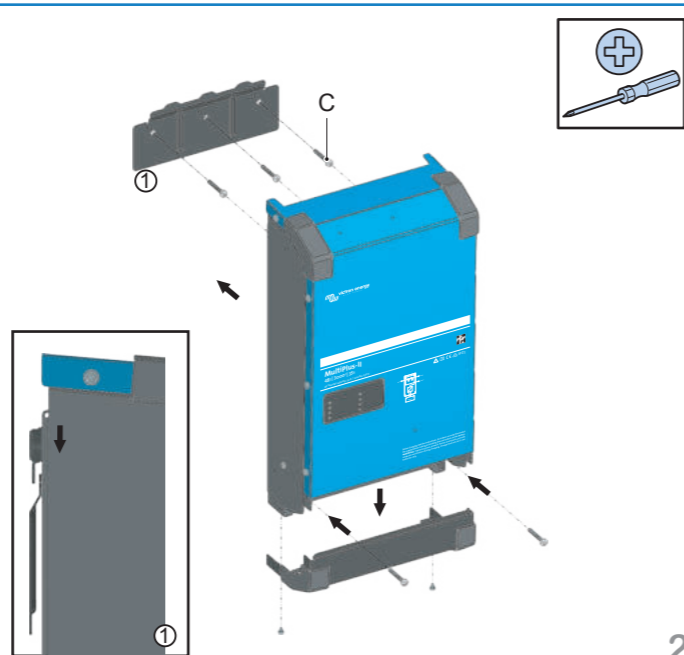


For fuse values:  
refer to the user manual

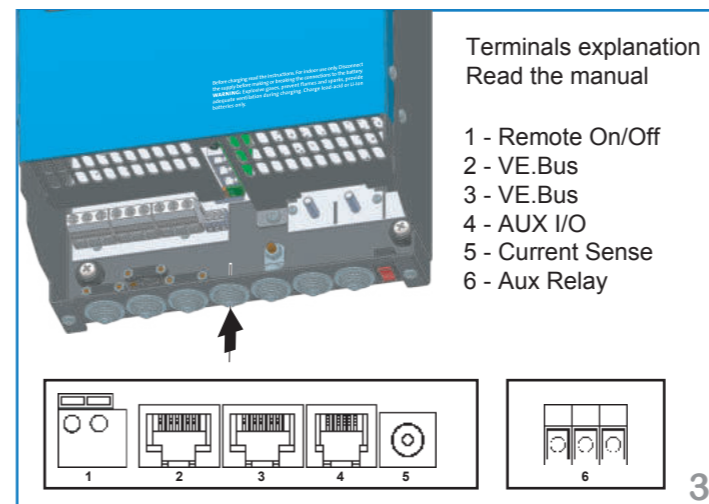
Fuse (not included)



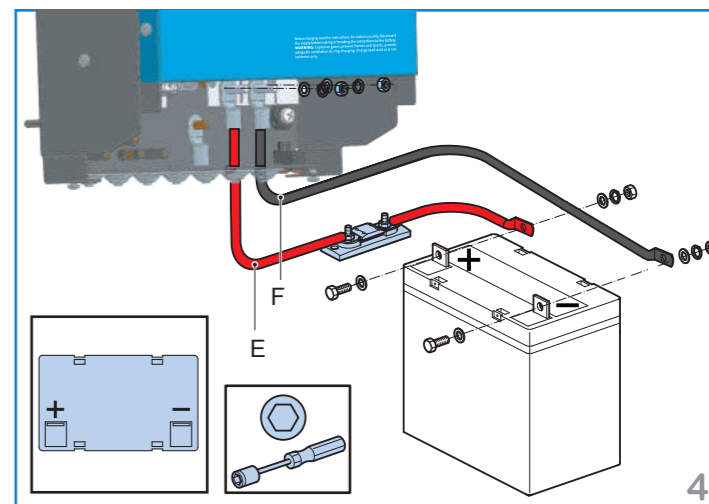
1



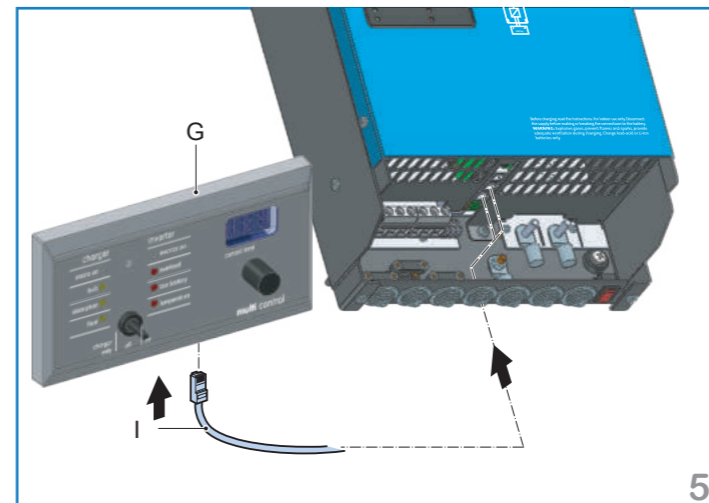
2



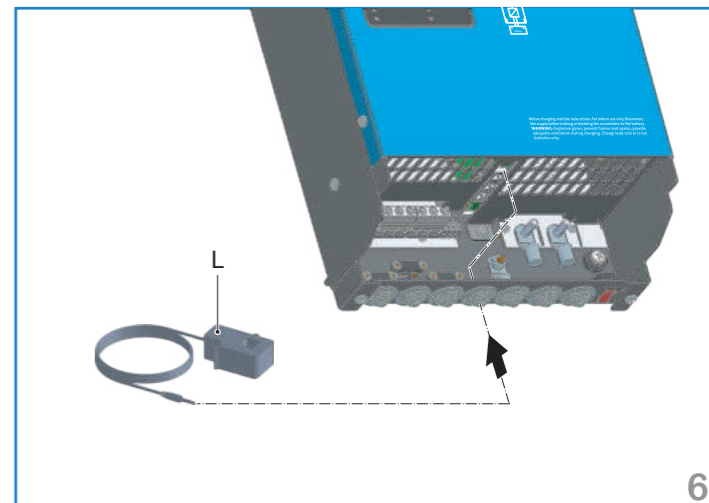
3



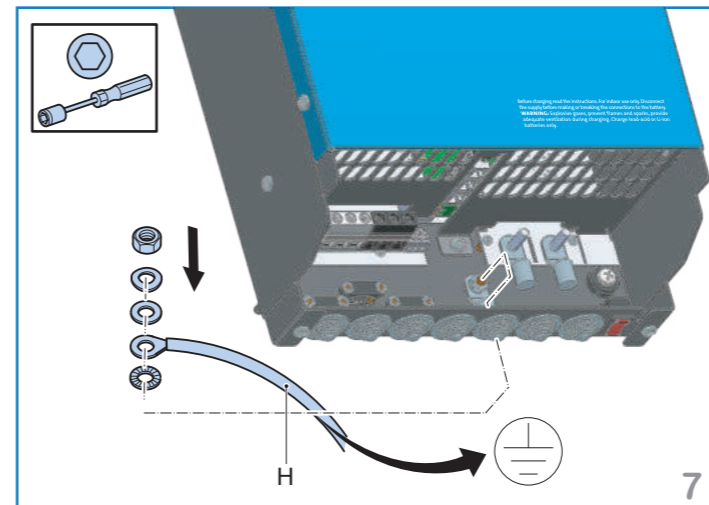
4



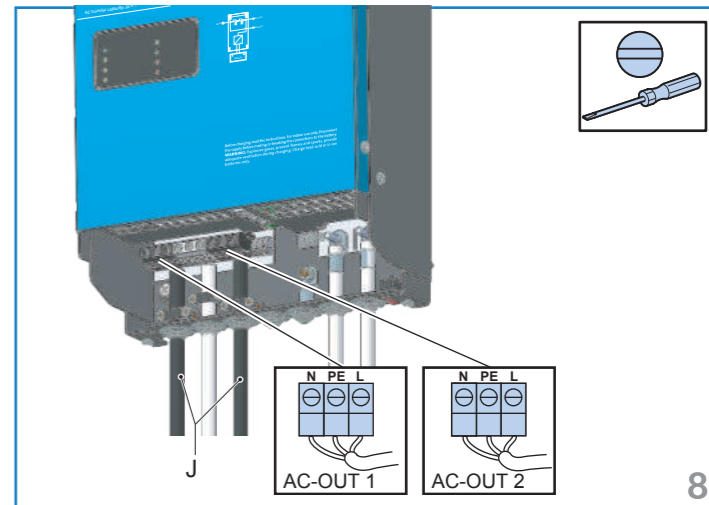
5



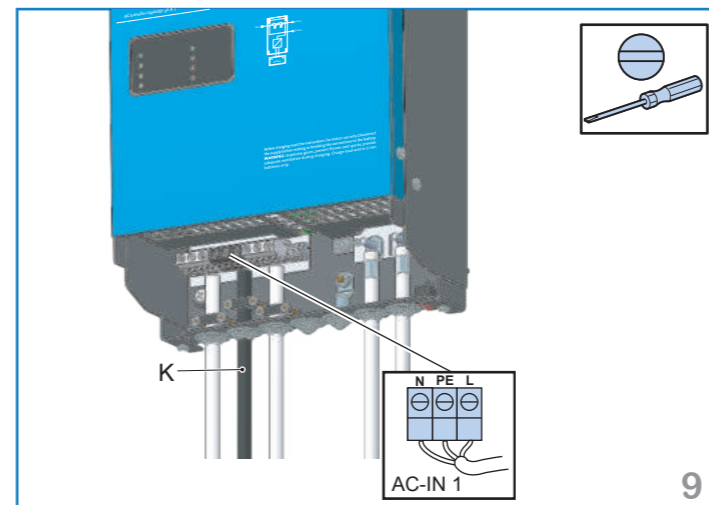
6



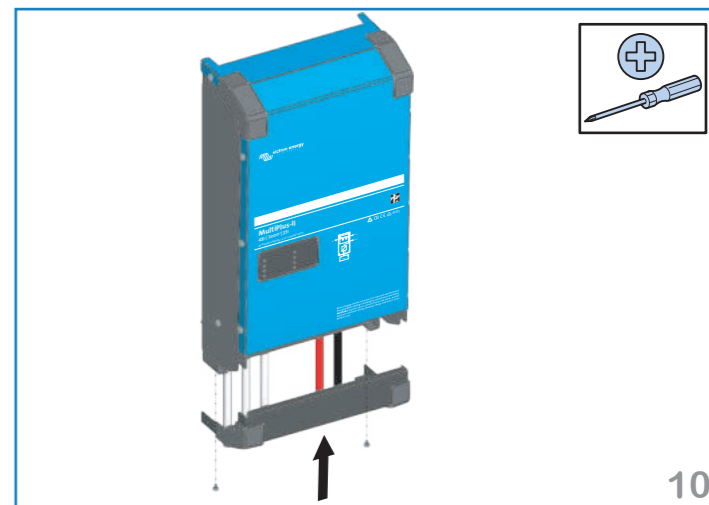
7



8



9



10