



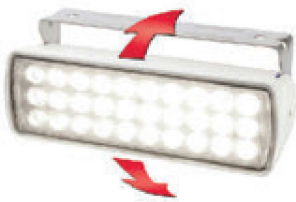
LED Sea Hawk-XL

12w 750 Lumen

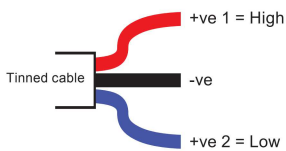
High performance LED floodlights with dual brightness function



Riviera 63FB www.riviera.com.au



Friction mounts allow adjustment without tools.



Two-Step high/low intensity via ON-OFF-ON switch.



Completely sealed lamp and cable entry. Polished 316 stainless steel bracket.

'Fit and forget' for a long service life

Each lamp is completely sealed and every aspect, material and component is carefully chosen to ensure longevity in the most demanding offshore conditions without compromise.

Hi-tech materials

The lens is precision moulded from high performance Grilamid for strength and durability. The housings are injection moulded from a revolutionary corrosion proof, 'Non-metal' thermally conductive polymer that is highly resistant to degradation, even under harsh UV. This advanced material draws heat away from internal electronics for reliable long-term operation. Utilising thermal polymer eliminates the requirement for an external aluminium heat sink in this class of floodlight, removing potential surface deterioration and material corrosion risks associated with coated aluminium in the harsh marine environment.

Integrated Dimming

A unique high/low light intensity function is standard with every lamp.

Engineered light patterns

Sophisticated optics deliver a broad and even illumination without glare or harsh point sources. Spread lamps illuminate a wide, close-range spread over a cockpit, foredeck or working area. Spot lamps provide a narrower, more concentrated illumination suitable for yacht masts or to determine objects in the water during low speed docking.

Multivolt 9-33V DC

Advanced electronics ensure reliable illumination and lamp protection even under severe voltage fluctuations and low battery voltages.

Pre-wired with three core marine cable

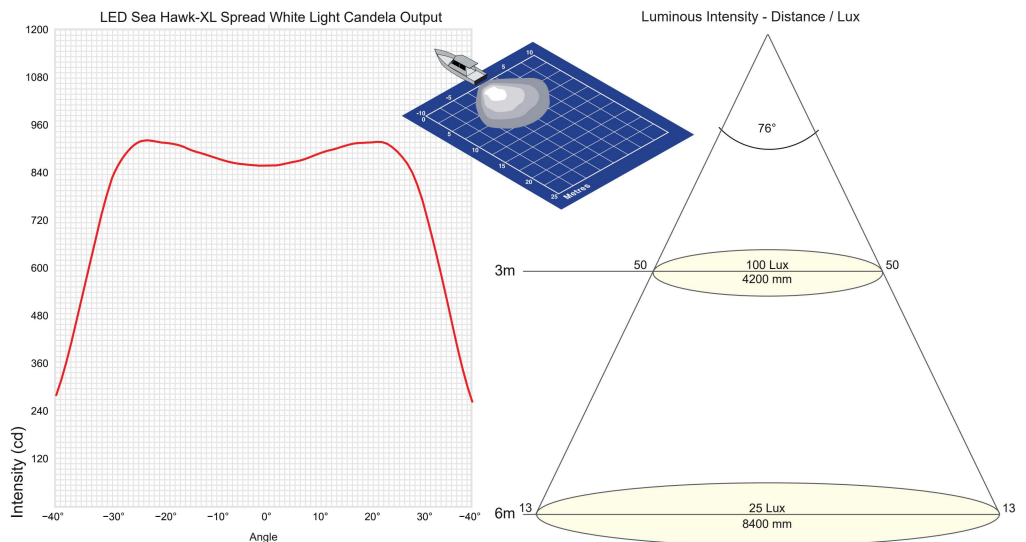
High quality sealed cable assemblies for time saving, completely sealed installations.

Designed and manufactured in New Zealand

Sea Hawk lamps carry a 5 year warranty.



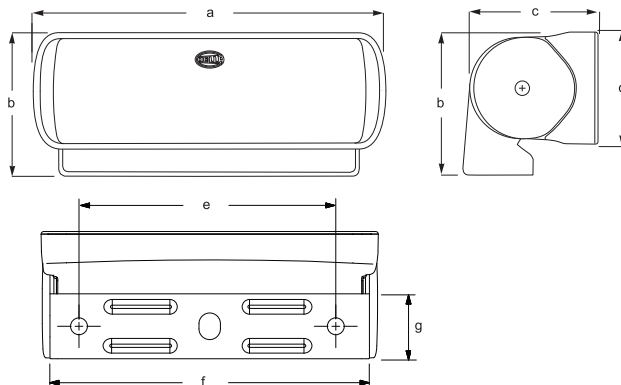
Sea Hawk XL Candela and Lux performance. Spread.





Packaging for aftermarket presentation

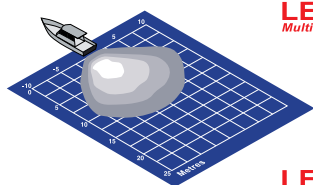
Material Description	'Non metal' Thermally conductive polymer housing Heavy duty Grilamid lens
Bracket	Polished 316 stainless steel
Colour Temperature	5500K (White) / 3000K (Warm White)
Cable	Pre-wired with 0.5m of triple core marine cable
Operating Voltage	Multivolt 9-33V DC
Degree of Protection	IP 67 - Completely Sealed
Power Consumption	High Intensity Mode 12W (1.00A@12V / 0.50A@24V) Low Intensity Mode 2W (0.17A@12V / 0.08A@24V)
Weight	500g (including cable)
Light Output	750 lumens (White) / 500 lumens (Warm White)
Approvals	CE, C-Tick



Dimensions

a =	170mm / 6.69"
b =	68mm / 2.68"
c =	58mm / 2.28"
d =	55mm / 2.17"
e =	120mm / 4.72"
f =	154mm / 6.06"
g =	30mm / 1.18"

Sea Hawk-XL Bracket Mount



LED
Multivolt

White Light LED Floodlights - Spread

Voltage	Housing Colour	Part Number
9-33V DC	Black Housing	2LT 980 950-001
9-33V DC	White Housing	2LT 980 950-011

LED
Multivolt

Warm White Light LED Floodlights - Spread

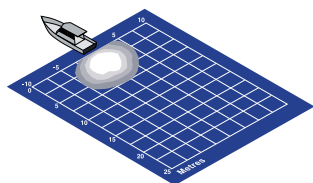
Voltage	Housing Colour	Part Number
9-33V DC	Black Housing	2LT 980 950-101
9-33V DC	White Housing	2LT 980 950-111

Spread pattern applications

- Cockpit
- Foredeck
- Working areas



Sea Hawk-XL Bracket Mount



LED
Multivolt

White Light LED Deck Lamps - Spot

Voltage	Housing Colour	Part Number
9-33V DC	Black Housing	2LT 980 950-201
9-33V DC	White Housing	2LT 980 950-211

Spot pattern applications

- Low speed docking
- Forward facing to illuminate objects in the water
- Spreader lamps on yacht masts

