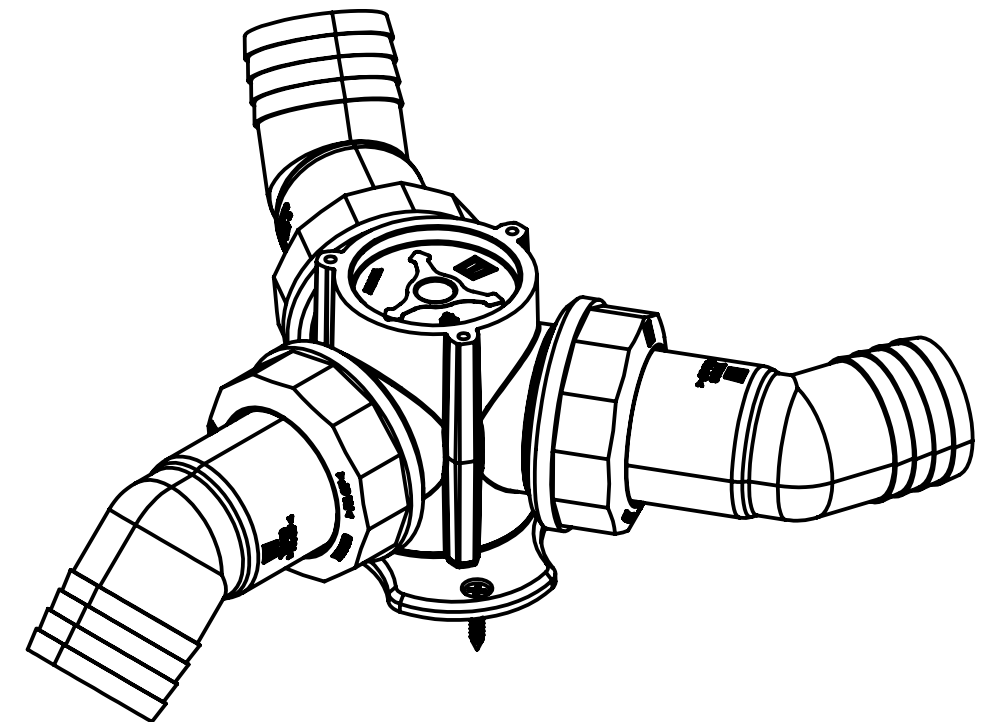




## Y-connector 3-way 3x M48x2. Excl. connectors

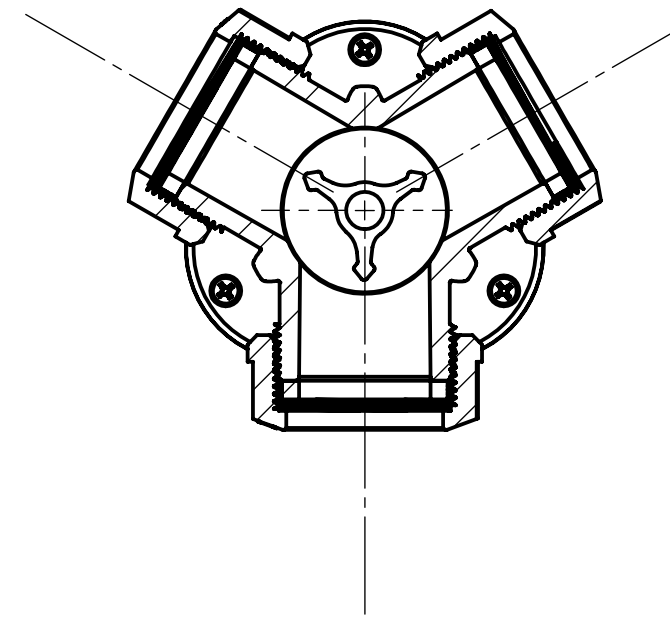
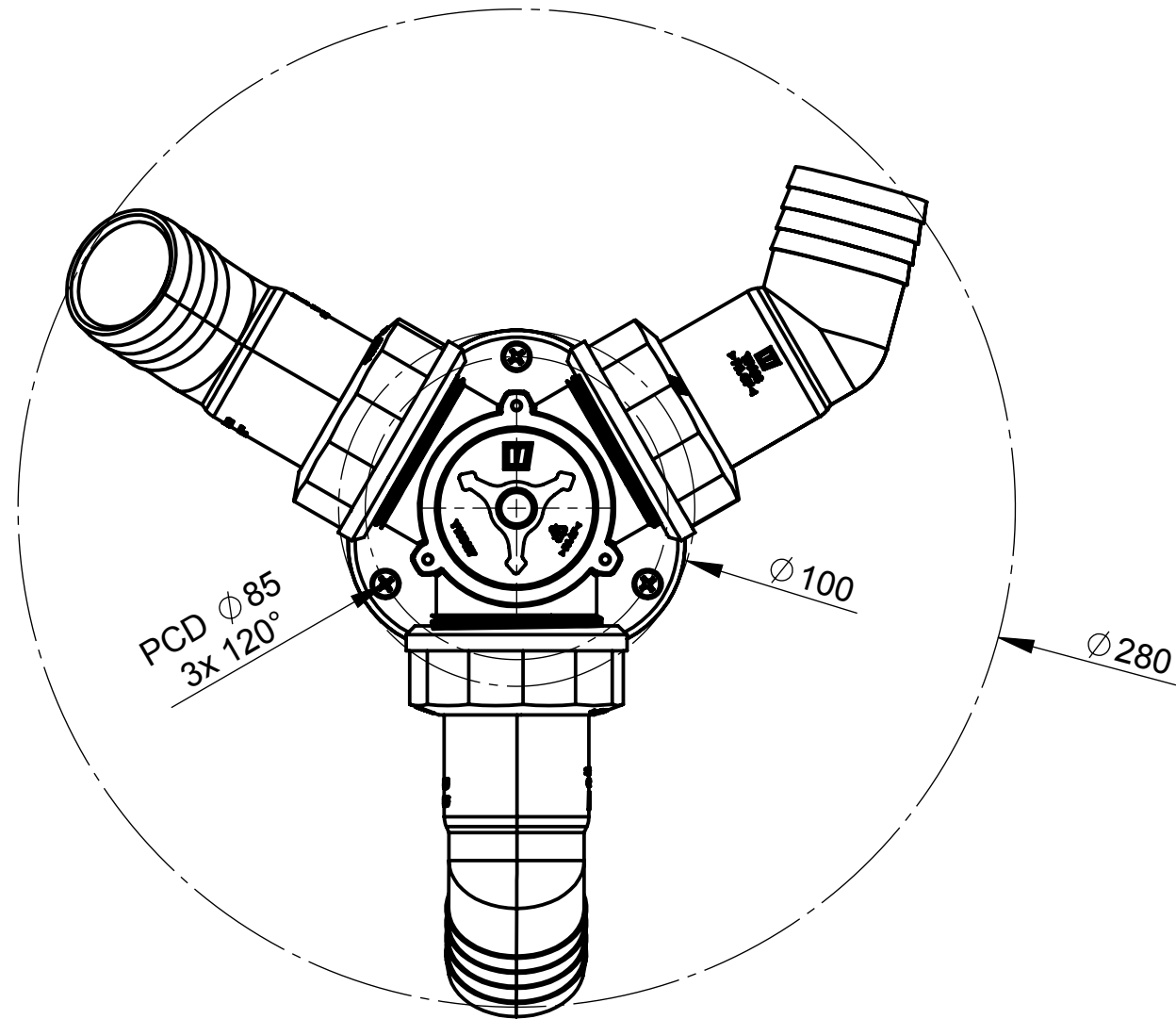
PART OF THE Y-LINE PRODUCT FAMILY

- MARINE-GRADE REINFORCED POLYMER (PA-GF) HOUSING
- HIGH STRENGTH
- 100% NON-CORROSIVE
- LEAK FREE PERFORMANCE
- 360° ROTATABLE 45° HOSE CONNECTIONS
  
- SUITABLE FOR TEMPERATURES OF -20° UP TO 110°C
- UP TO 4,5 BAR (65 PSI) IN FLOW DIRECTION
- MAXIMUM PRESSURE ON VALVE UP TO 1 BAR (10 m WATER COLUMN, 14,5 PSI)  
*(ACTUAL PRESSURE DEMAND UNDER DISCUSSION; NEEDS TO BE TESTED)*
  
- INCLUDING THREE-POINT MOUNTING FLANGE AND MOUNTING SCREWS
- EXCLUDING HOSE CONNECTORS  
SELECT HOSE CONNECTOR DIAMETER OF CHOICE;  $\varnothing$  38 / 32 / 28,5 / 25 / 19 mm

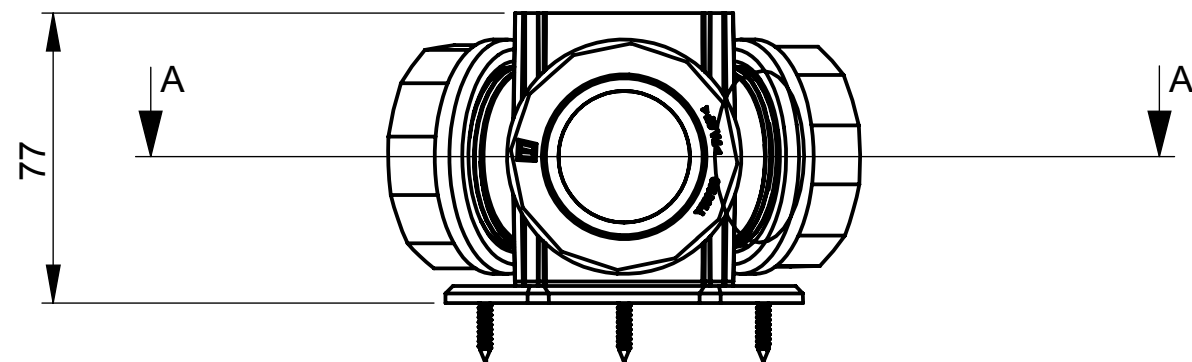




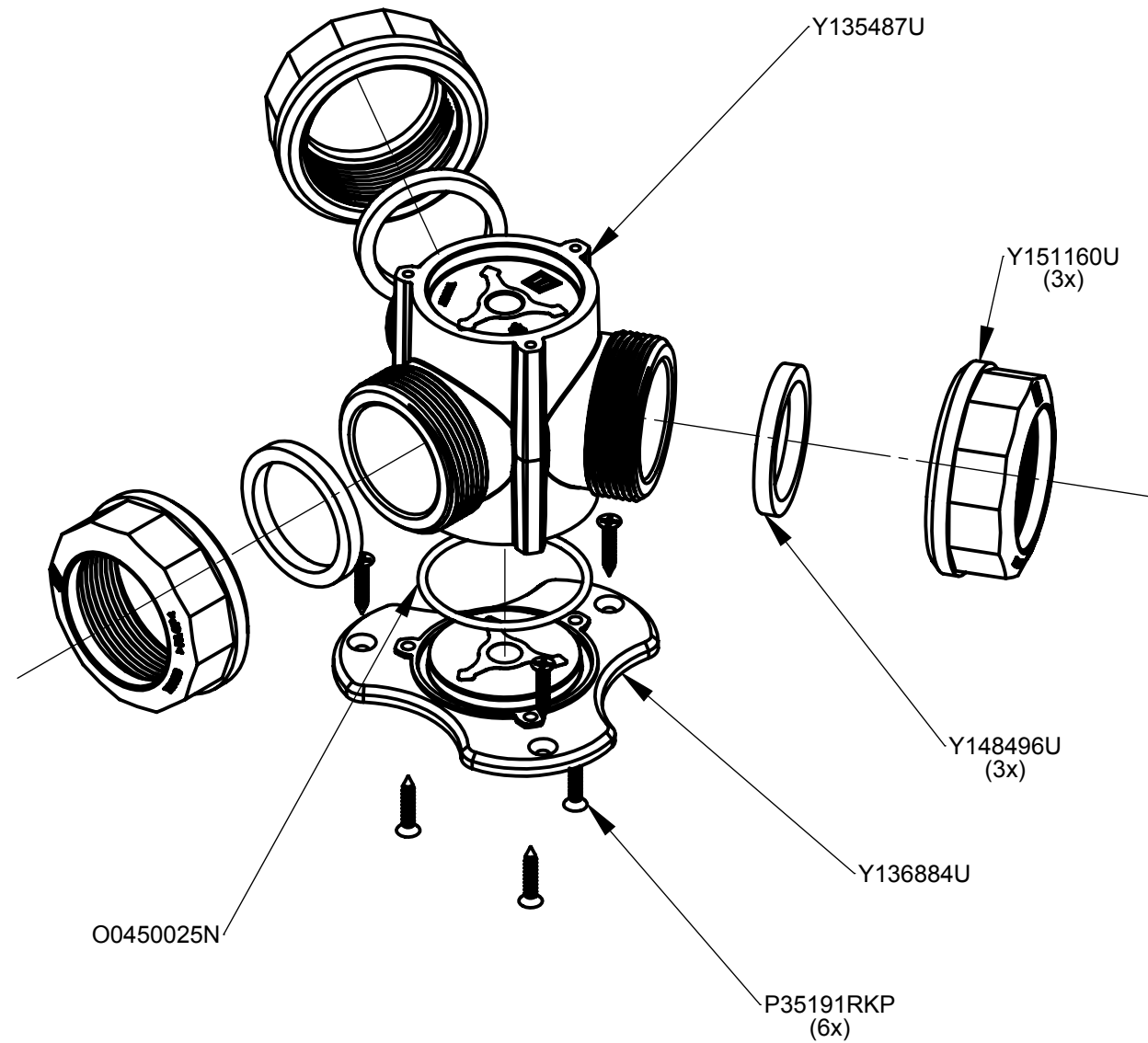
**Y-connector 3-way 3x M48x2. Excl. connectors**



SECTION A-A



**Y-connector 3-way 3x M48x2. Excl. connectors**



PART NUMBER	ERP code	QTY.	Description	Description 2
13-5487	Y135487U	1	Main housing 3-way	3x M48x2. Dark blue, PA-GF
13-6884	Y136884U	1	Mounting foot 3-way	Dark blue, PA-GF
14-9348	O0450025N	1	O-ring ID 45 x	x CS 2,5 mm. NBR 70 shore
14-8496	Y148496U	3	Sealing ring, red.	For M48x2 hose connectors
15-1160	Y151160U	3	Lock nut M48x2	Black, PA-GF
95844A300	P35191RKP	6	Cr cs head tapping	screw ST3,5x19 DIN7982 A2