

## ZF 12 M

Vertical offset, direct mount marine transmission.  
Maximum rated input: 125.1 47kW (63hp)



- Reverse reduction marine transmission with mechanically actuated multi-disc clutches.
- Suitable for high performance applications in luxury sailboats, motoryachts, fishing boats, etc..
- Robust design also withstands continuous duty in workboat applications.
- Fully works tested, reliable and simple to install.
- Design, manufacture and quality control standards comply with ISO 9001.



- Lightweight and robust aluminum alloy casing (sea water resistant).
- Case hardened and precisely ground gear teeth for long life and smooth running.
- Output shaft thrust bearing designed to take maximum propeller thrust.
- Compact, space saving design.
- Ratios: 2.136, 2.632
- Capable of input speeds up to 5000rpm.



- Engine-matched torsional coupling.
- BW, SAE 4 or SAE 5 bell housings.
- Oil cooler. To be used when input power exceeds following values:- Pos. «A» 40 kW - Pos. «B» 25 kW.
- Control cable bracket for correct mounting of the push-pull cable with the control lever.
- Classification by all major Classification Societies on request.

# ZF 12 M



| RATIOS  |         | MAX. TORQUE |      | POWER/RPM |        | SAMPLE POWER CAPACITIES |    |          |    | MAX. RPM |          |      |
|---------|---------|-------------|------|-----------|--------|-------------------------|----|----------|----|----------|----------|------|
| 'A' Pos | 'B' Pos | NM          | ftlb | kW        | hp     | 2800 rpm                |    | 3000 rpm |    |          | 3600 rpm |      |
| 2.136   | 1.955   | 125         | 92   | 0.0131    | 0.0176 | 37                      | 49 | 39       | 53 | 47       | 63       | 5000 |
| 2.632   | 1.955   | 106         | 78   | 0.0111    | 0.0149 | 31                      | 42 | 33       | 45 | 40       | 54       | 5000 |

Max input power 55 kW



| RATIOS  |         | MAX. TORQUE |      | POWER/RPM |        | SAMPLE POWER CAPACITIES |    |          |    | MAX. RPM |          |      |
|---------|---------|-------------|------|-----------|--------|-------------------------|----|----------|----|----------|----------|------|
| 'A' Pos | 'B' Pos | NM          | ftlb | kW        | hp     | 2800 rpm                |    | 3000 rpm |    |          | 3600 rpm |      |
| 2.136   | 1.955   | 113         | 83   | 0.0118    | 0.0159 | 33                      | 44 | 35       | 48 | 43       | 57       | 5000 |
| 2.632   | 1.955   | 95          | 70   | 0.0099    | 0.0133 | 28                      | 37 | 30       | 40 | 36       | 48       | 5000 |

Max input power 50 kW



| RATIOS  |         | MAX. TORQUE |      | POWER/RPM |        | SAMPLE POWER CAPACITIES |    |          |    | MAX. RPM |          |      |
|---------|---------|-------------|------|-----------|--------|-------------------------|----|----------|----|----------|----------|------|
| 'A' Pos | 'B' Pos | NM          | ftlb | kW        | hp     | 2100 rpm                |    | 2500 rpm |    |          | 2800 rpm |      |
| 2.136   | 1.955   | 106         | 78   | 0.0111    | 0.0149 | 23                      | 31 | 28       | 37 | 31       | 42       | 5000 |
| 2.632   | 1.955   | 93          | 69   | 0.0097    | 0.0131 | 20                      | 27 | 24       | 33 | 27       | 37       | 5000 |

Max input power 46 kW

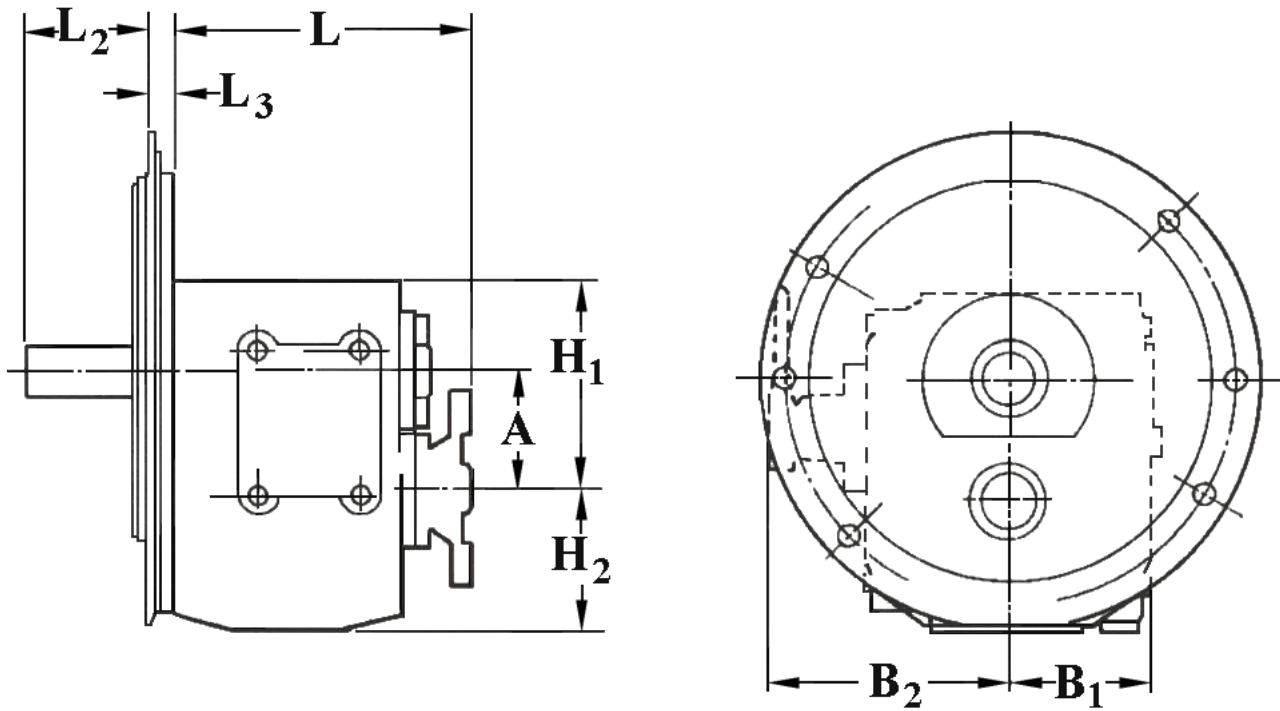


| RATIOS  |         | MAX. TORQUE |      | POWER/RPM |        | SAMPLE POWER CAPACITIES |    |          |    | MAX. RPM |          |      |
|---------|---------|-------------|------|-----------|--------|-------------------------|----|----------|----|----------|----------|------|
| 'A' Pos | 'B' Pos | NM          | ftlb | kW        | hp     | 1800 rpm                |    | 2300 rpm |    |          | 2600 rpm |      |
| 2.136   | 1.955   | 100         | 74   | 0.0105    | 0.0140 | 19                      | 25 | 24       | 32 | 27       | 37       | 5000 |
| 2.632   | 1.955   | 90          | 66   | 0.0094    | 0.0126 | 17                      | 23 | 22       | 29 | 25       | 33       | 5000 |

Max input power 40 kW

"A" POS = continuous running position (normally AHEAD). "B" POS = reverse position. B/W = Borg Warner adaptor.  
 Note: For all "M" (Mechanical) transmissions reduce power capacity by the following shock factors:  
 1 cylinder engine ÷ 1.25, 2 cylinder engine ÷ 1.20, 3 cylinder engine ÷ 1.15

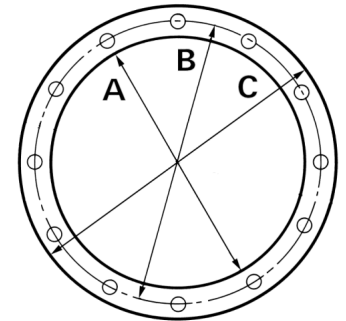
# ZF 12 M



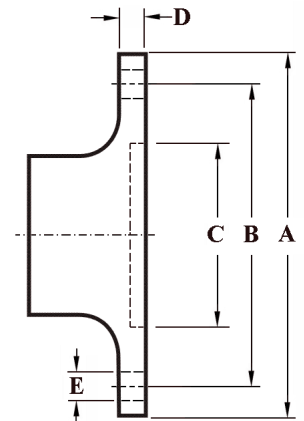
| mm (inches)    |                |                |                |                |                            |                |                |           |  |
|----------------|----------------|----------------|----------------|----------------|----------------------------|----------------|----------------|-----------|--|
| A              | B <sub>1</sub> | B <sub>2</sub> | H <sub>1</sub> | H <sub>2</sub> | L                          | L <sub>2</sub> | L <sub>3</sub> | Bell Hsg. |  |
| 72.0 (2.83)    | 80.0 (3.15)    | 134 (5.25)     | 122 (4.80)     | 89.0 (3.50)    | 192 (7.56)                 | 60.0 (2.36)    | 15.0 (0.59)    | B/W       |  |
| Weight kg (lb) |                |                |                |                | Oil Capacity Litre (US qt) |                |                |           |  |
| 13.0 (29.0)    |                |                |                |                | 0.60 (0.66)                |                |                |           |  |



| SAE No. | A      |        | B      |        | C      |        | Bolt Holes |          |       |
|---------|--------|--------|--------|--------|--------|--------|------------|----------|-------|
|         |        |        |        |        |        |        | No.        | Diameter |       |
|         | mm     | in     | mm     | in     | mm     | in     |            | mm       | in    |
| 4       | 361.95 | 14.25  | 381.0  | 15.0   | 403.23 | 15.875 | 12         | 10.32    | 13/32 |
| 5       | 314.33 | 12.375 | 333.38 | 13.125 | 355.6  | 14.0   | 8          | 10.32    | 13/32 |



| A   |      | B    |      | C    |      | D    |      | No. | Bolt Holes   |      |
|-----|------|------|------|------|------|------|------|-----|--------------|------|
|     |      |      |      |      |      |      |      |     | Diameter (E) |      |
| mm  | in   | mm   | in   | mm   | in   | mm   | in   |     |              | mm   |
| 102 | 4.02 | 82.5 | 3.25 | 63.5 | 2.50 | 10.0 | 0.39 | 4   | 10.5         | 0.41 |





## Duty Definitions

| Duty          | Description  | Average Engine Operating Hours  | Typical Hull Forms                  | Typical Applications   |
|---------------|--|---|-------------------------------------|--|
| <b>P Duty</b> | Highly intermittent operation with very large variations in engine speed and power | 500 hours/year<br>300 hours/year for mechanical transmissions   | Planing.                            | Private, non-commercial, non-charter sport/leisure activities.                                       |
| <b>L Duty</b> | Intermittent operation with large variations in engine speed and power             | 2500 hours/year<br>(for hydraulic transmissions smaller than the ZF 650 series, 2000 hours/year).           | Planing and semi-displacement.      | Private and charter, sport/leisure activities, naval and police activities.                          |
| <b>M Duty</b> | Intermittent operation with some variations in engine speed and power              | 4000 hours/year.<br>3500 hours/year for gearboxes smaller than ZF 1900 series and workboat ZF W2700 series. | Semi-displacement and displacement. | Charter and commercial craft (example: crew boats and fast ferries), and naval and police activities |
| <b>C Duty</b> | Continuous operation with little or no variations in engine speed and power        | Unlimited   | Displacement.                       | Heavy duty commercial vessels, tugs, fishing boats.  |

## Duty Ratings

Ratings apply to marine diesel engines at the indicated speeds. At other engine speeds, the respective power capacity (kW) of the transmission can be obtained by multiplying the Power/Speed ratio by the speed.

Approximate conversion factors:

1 kW = 1.36 metric hp

1 kW = 1.34 U.S. hp (SAE)

1 U.S. hp = 1.014 metric hp

1 Nm = 0.74 lb.ft.

Ratings apply to right hand turning engines, i.e. engines having counterclockwise rotating flywheels when viewing the flywheel end of the engine. These ratings allow full power through forward and reverse gear trains, unless otherwise stated.

Contact your nearest ZF Sales and Service office for ratings applicable to gas turbines, gasoline (petrol) engines, as well as left hand turning engines, and marine transmissions for large horsepower capacity engines.

Ratings apply to marine transmissions currently in production or in development and are subject to change without prior notice.

## Safe Operating Notice

The safe operation of ZF products depends upon adherence to technical data presented in our brochures. Safe operation also depends upon proper installation, operation and routine maintenance and inspection under prevailing conditions and recommendations set forth by ZF. Damage to transmission caused by repeated or continuous emergency manoeuvres or abnormal operation is not covered under warranty. It is the responsibility of users and not ZF to provide and install guards and safety devices, which may be required by recognized safety standards of the respective country (e.g. for U.S.A. the Occupational Safety Act of 1970 and its subsequent provisions).

## Monitoring Notice

The safe operation of ZF products depends upon adherence to ZF monitoring recommendations presented in our operating manuals, etc. It is the responsibility of users and not ZF to provide and install monitoring devices and safety interlock systems as may be deemed prudent by ZF. Consult ZF for details and recommendations.

## Torsional Responsibility and Torsional Couplings

The responsibility for ensuring torsional compatibility rests with the assembler of the drive and driven equipment. ZF can accept no liability for gearbox noise caused by vibrations or for damage to the gearbox, the flexible coupling or to other parts of the drive unit caused by this kind of vibration. Contact ZF for further information and assistance. ZF recommends the use of a torsional limit stop for single engine powered boats, wherein loss of propulsion power can result in loss of control. It is the buyer's responsibility to specify this option, which can result in additional cost and a possible increase in installation length.

ZF can accept no liability for personal injury, loss of life, or damage or loss of property due to the failure of the buyer to specify a torsional limit stop. ZF selects torsional couplings on the basis of nominal input torque ratings and commonly accepted rated engine governed speeds. Consult ZF for details concerning speed limits of standard offering torsional couplings, which can be less than the transmission limit. Special torsional couplings may be required for Survey Society Ice Classification requirements.

## Classification

In most cases, the maximum medium and continuous duty ratings permitted by ZF are accepted in full by major classification societies. If classification is required, contact ZF regarding proper procedures (also for yacht service, and ice classifications).

## Trolling Valves

Trolling valves are available as an option on most models of marine transmissions. In most cases, trolling valves are easily retrofitted. A thermostatic oil by-pass valve and remote oil cooler may be required to maintain proper operation and recommended oil temperature. Consult ZF for details and limits.

## Non Reversing and 'U' Drive Options

In principle, all transmissions are available as non-reversing units (for instance, for controllable pitch propeller applications). Many parallel shaft transmissions can also be supplied with input and output on the same side (U-drive). Consult ZF for details.

## Power Take Offs (PTO's)

All PTO'S are retrofittable except where stated otherwise. Most transmissions can be offered with clutchable or permanently driven (live) PTO'S. Consult ZF for details and limits.